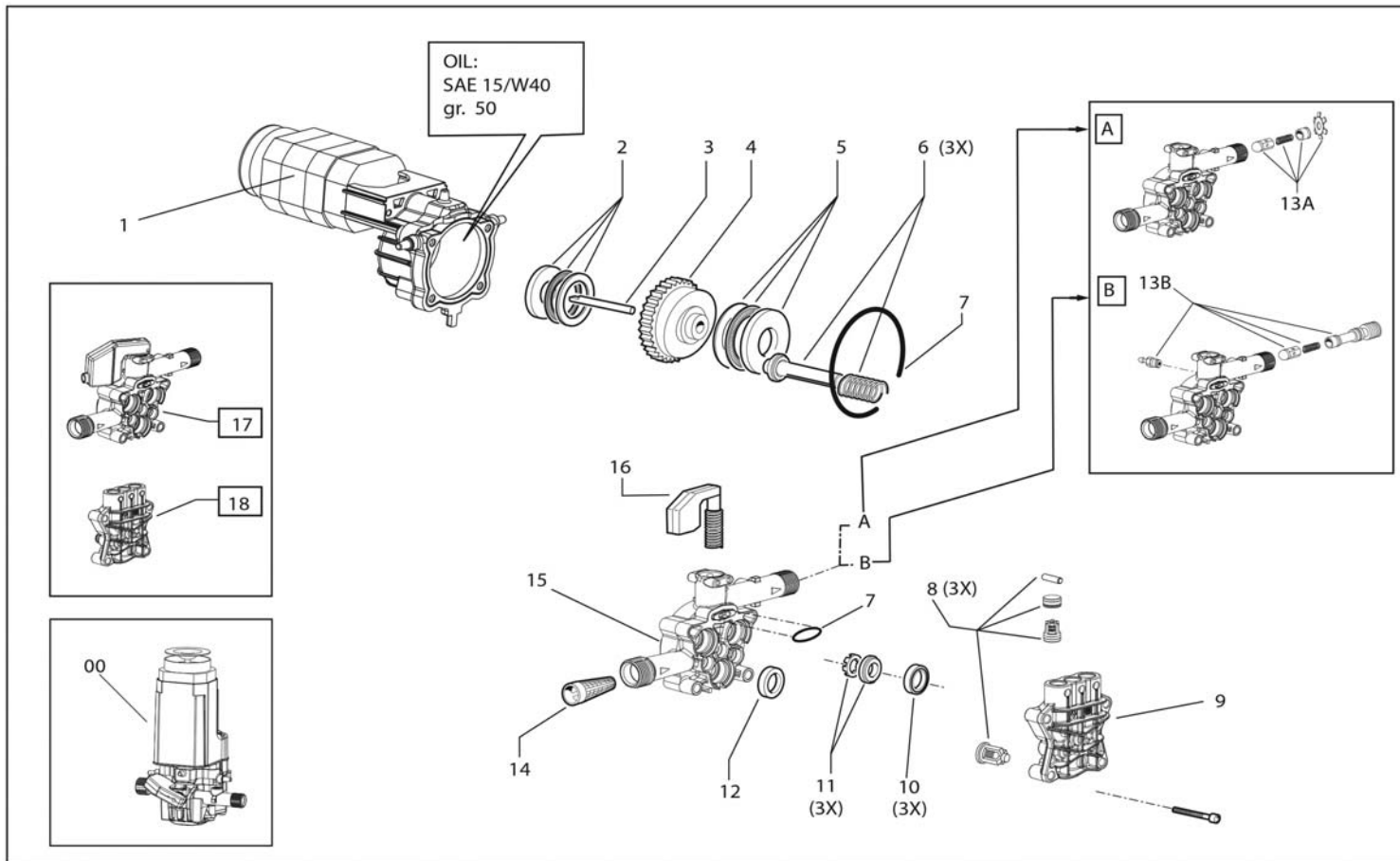




SPARE PARTS LISTING & DRAWING SHEET FOR 1500W Pressure Washer

Stock No.31562

Part No.PW1520



KEY No.	PART No.	STOCK No.	DESCRIPTION
00	PW1520-00	35293	Motor pump.
01	PW1520-01	35294	Motor ass'y.
02	PW1520-02	35296	Thrust ring kit.
03	PW1520-03	35297	Pin 10x70.
04	PW1520-04	35298	Wobble plate ass'y with crown.
05	PW1520-05	35299	Thrust bearing 35x55x12.
06	PW1520-06	35300	Kit 167 LW piston.
07	PW1520-07	35305	Kit 209 o-ring.
08	PW1520-08	35306	Kit 358 LW head valve kit.
09	PW1520-09	35307	PT'03EVO partner head.

KEY No.	PART No.	STOCK No.	DESCRIPTION
10	PW1520-10	35308	Kit 124 o-ring water seal.
11	PW1520-11	35309	Kit 257 o-ring seal.
12	PW1520-12	35311	Kit 79 o-ring seal.
13	PW1520-13A	35312	Kit 256 valve guide rid.
14	PW1520-14	35313	Inlet water filter.
15	PW1520-15	35314	Piston body guide.
16	PW1520-16	35315	Completed valve.
17	PW1520-17	35316	Body guide assembled.
18	PW1520-18	35318	PT'03EVO head D.12.

Helpline: (023) 8049 4344. Sales Desk: (023) 8049 4333. General Enquiries: (023) 8026 6355.

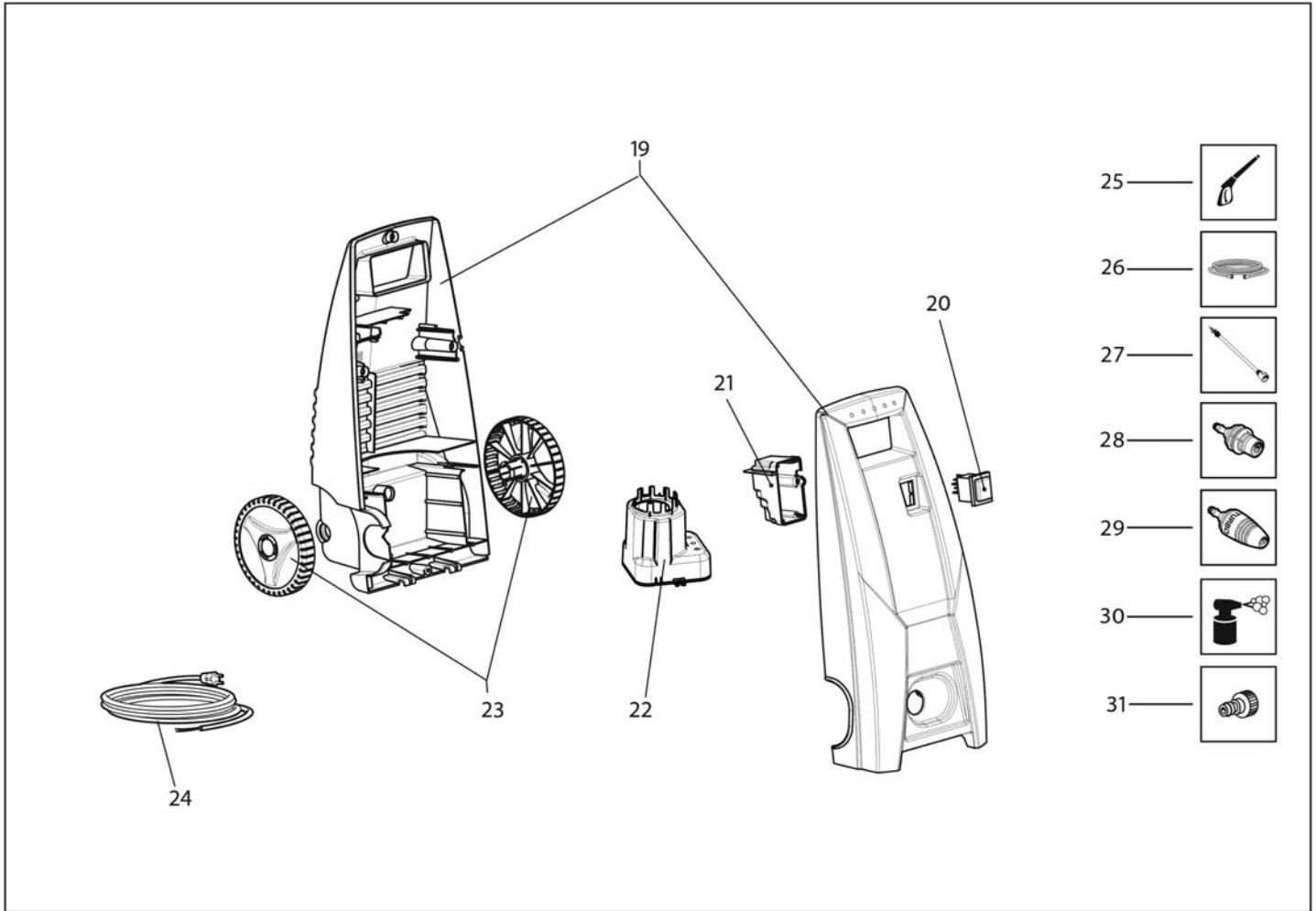
DRAPER TOOLS LTD, HURSLEY ROAD, CHANDLER'S FORD, EASTLEIGH, HANTS. SO53 1YF. U.K website: www.drapertools.com e-mail: sales@drapertools.co m



SPARE PARTS LISTING & DRAWING SHEET FOR 1500W Pressure Washer

Stock No.31562

Part No.PW1520



KEY No.	PART No.	STOCK No.	DESCRIPTION
19	PW1520-19	35319	Front & rear plastic cover.
20	PW1520-20	35320	Switch with protection.
21	PW1520-21	35321	Main switch cover (black).
22	PW1520-22	35322	Air conveyor.
23	PW1520-23	35323	Wheels kit.
24	PW1520-24	35324	Cable & UK plug.
25	PW1520-25	35325	Gun with quick joint.

KEY No.	PART No.	STOCK No.	DESCRIPTION
26	PW1520-26	35326	Hose rapid fix with spiral sleeve.
27	PW1520-27	35329	Lance quick coupling.
28	PW1520-28	35331	Nozzle head quick coupling.
29	PW1520-29	35332	Rotox nozzle head quick coupling.
30	PW1520-30	35337	Foam sprayer transparent tank.
31	PW1520-31	35338	Inlet connection quick coupling.

Helpline: (023) 8049 4344. Sales Desk: (023) 8049 4333. General Enquiries: (023) 8026 6355.

DRAPER TOOLS LTD, HURSLEY ROAD, CHANDLER'S FORD, EASTLEIGH, HANTS. SO53 1YF. U.K website: www.drapertools.com e-mail: sales@drapertools.co.uk

DKJP050813