

**DRAPER**<sup>®</sup>

SPARE PARTS LISTING SHEET FOR

# 1 Tonne Folding Hydraulic Engine Crane

Stock No.02610

Part No.EC1001

KEY No.	PART No.	STOCK No.	DESCRIPTION
1	YEC1001-01	03783	Chain and hook assembly
2	YEC1001-02	03784	Screw
3	YEC1001-03	03786	Washer
4	YEC1001-04	03787	Nut
5	YEC1001-05	03788	Boom extension
6	YEC1001-06	03789	Boom
7	YEC1001-07	03790	Pin
8	YEC1001-08	03791	Washer
9	YEC1001-09	03792	Nut
10	YEC1001-10	03794	Screw
11	YEC1001-11	03795	Washer
12	YEC1001-12	03796	Nut
13	YEC1001-13	03797	Warning label
14	YEC1001-14	03798	Screw
15	YEC1001-15	03799	Screw
16	YEC1001-16	03801	Spring washer
17	YEC1001-17	03802	Washer
18	YEC1001-18	03803	Handle
19	YEC1001-19	03804	Handle grips

KEY No.	PART No.	STOCK No.	DESCRIPTION
20	YEC1001-20	03805	Main post
21	YEC1001-21	03806	Ram unit
22	YEC1001-22	03807	Jack handle
23	YEC1001-23	03808	Screw
24	YEC1001-24	03809	Screw
25	YEC1001-25	03810	Base
26	YEC1001-26	03811	Nut
27	YEC1001-27	03812	Castor
28	YEC1001-28	03813	Pin
29	YEC1001-29	03814	Split pin
30	YEC1001-30	03815	Leg support
31	YEC1001-31	03816	Pin
32	YEC1001-32	03817	Split pin
33	YEC1001-33	03819	Leg
34	YEC1001-34	03820	Spring washer
35	YEC1001-35	03821	Spring washer
36	YEC1001-36	03822	Spring washer
37	YEC1001-37	03823	Screw

**Helpline: (023) 8049 4344. Sales Desk: (023) 8049 4333. General Enquiries: (023) 8026 6355.**DRAPER TOOLS LTD, HURSLEY ROAD, CHANDLER'S FORD, EASTLEIGH, HANTS. SO53 1YF. U.K. internet: [www.drapertools.co.uk](http://www.drapertools.co.uk) e-mail: [sales@drapertools.com](mailto:sales@drapertools.com)

TDMC191110

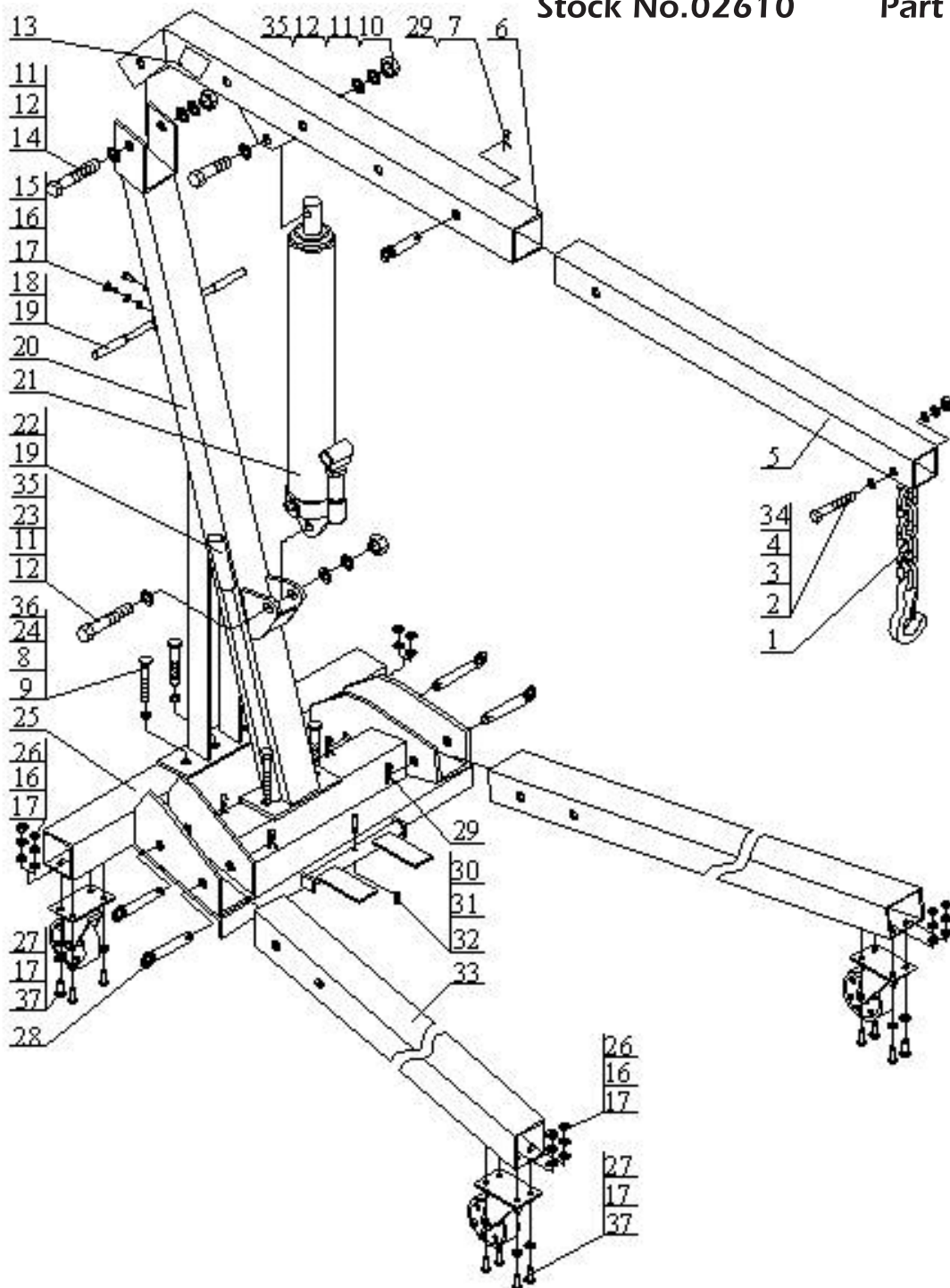


SPARE PARTS DRAWING SHEET FOR

# 1 Tonne Folding Hydraulic Engine Crane

Stock No.02610

Part No.EC1001



**Helpline:** (023) 8049 4344. **Sales Desk:** (023) 8049 4333. **General Enquiries:** (023) 8026 6355.

DRAPER TOOLS LTD, HURSLEY ROAD, CHANDLER'S FORD, EASTLEIGH, HANTS. SO53 1YF. U.K. internet: [www.drapertools.co.uk](http://www.drapertools.co.uk) e-mail: [sales@drapertools.com](mailto:sales@drapertools.com)

TDMC191110