



SPARE PARTS LISTING SHEET FOR

2 Tonne Folding Hydraulic Engine Crane

Stock No.02611

Part No.EC2001

KEY No.	PART No.	STOCK No.	DESCRIPTION
1	YEC2001-01	03753	Boom
2	YEC2001-02	03754	Nut
3	YEC2001-03	03755	Washer
4	YEC2001-04	03756	Screw
5	YEC2001-05	03757	Screw
6	YEC2001-06	03758	Ram unit
7	YEC2001-07	03759	Main post
8	YEC2001-08	03760	Support
9	YEC2001-09	03761	Jack handle
10	YEC2001-10	03762	Castor
11	YEC2001-11	03763	Pin
12	YEC2001-12	03764	Lower bracket
13	YEC2001-13	03765	Castor
14	YEC2001-14	03766	Screw
15	YEC2001-15	03767	Spring washer

KEY No.	PART No.	STOCK No.	DESCRIPTION
16	YEC2001-16	03768	Washer
17	YEC2001-17	03770	Nut
18	YEC2001-18	03771	Washer
19	YEC2001-19	03772	Nut
20	YEC2001-20	03773	Front boom
21	YEC2001-21	03774	Screw
22	YEC2001-22	03775	Screw
23	YEC2001-23	03776	Boom extension
24	YEC2001-24	03778	Pin
25	YEC2001-25	03779	Chain and hook assembly
26	YEC2001-26	03780	Screw
27	YEC2001-27	03781	Washer
28	YEC2001-28	03782	Nut
29	YEC2001-29	04369	Bolt
30	YEC2001-30	04370	Bolt

Helpline: (023) 8049 4344. Sales Desk: (023) 8049 4333. General Enquiries: (023) 8026 6355.

DRAPER TOOLS LTD, HURSLEY ROAD, CHANDLER'S FORD, EASTLEIGH, HANTS. SO53 1YF. U.K. internet: www.drapertools.co.uk e-mail: sales@drapertools.com

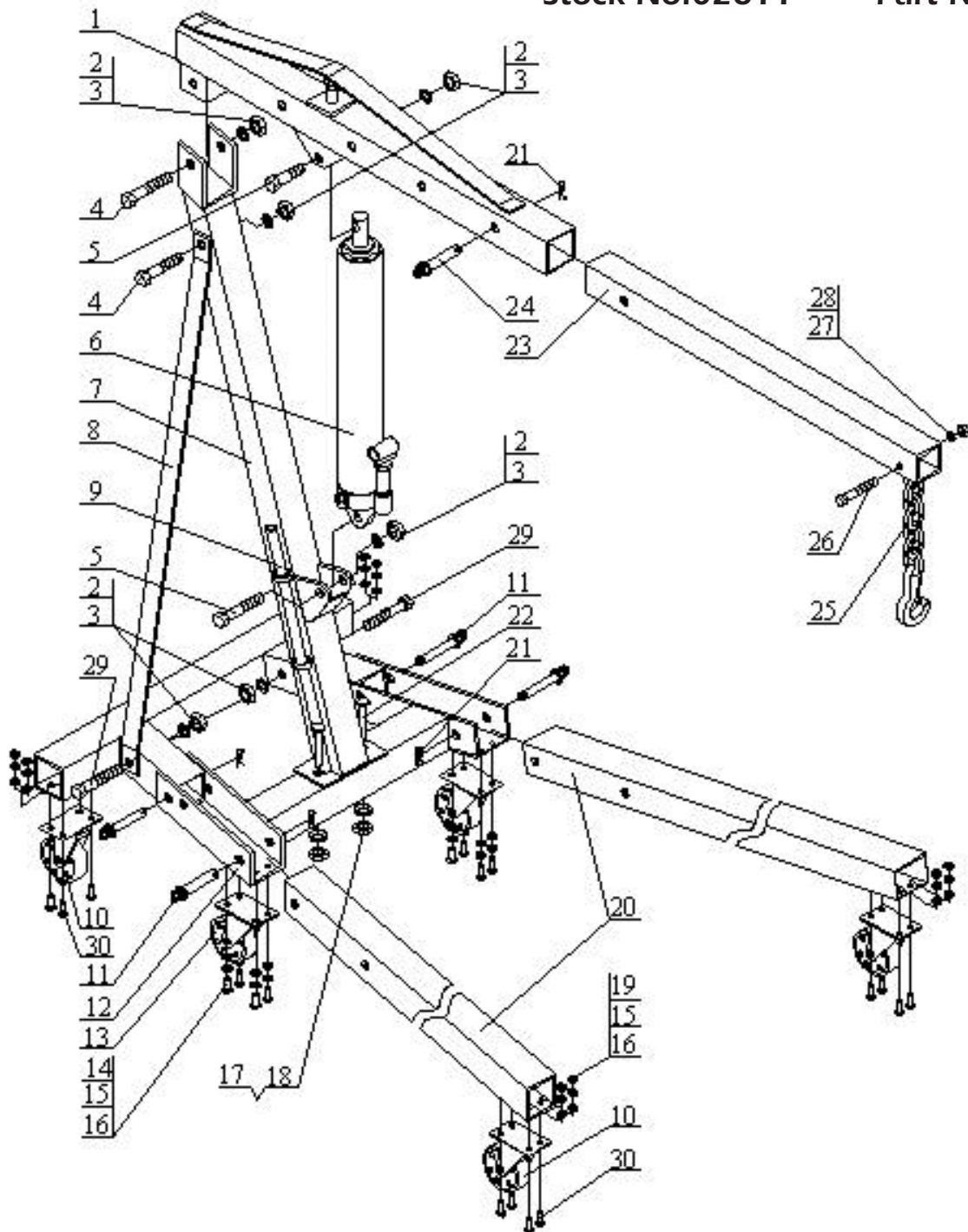


SPARE PARTS DRAWING SHEET FOR

2 Tonne Folding Hydraulic Engine Crane

Stock No.02611

Part No.EC2001



Helpline: (023) 8049 4344. **Sales Desk:** (023) 8049 4333. **General Enquiries:** (023) 8026 6355.

DRAPER TOOLS LTD, HURSLEY ROAD, CHANDLER'S FORD, EASTLEIGH, HANTS. SO53 1YF. U.K. website: www.drapertools.com e-mail: sales@drapertools.com

TDMC191110