

DRAPER®

INSTRUCTIONS FOR **Wall Mount Halogen Lamp**

Stock No. 03117
03118
03119

Part No. HL400WC
HL120WC-PIR
HL400WC-PIR

IMPORTANT: PLEASE READ THESE INSTRUCTIONS CAREFULLY TO ENSURE THE SAFE AND EFFECTIVE USE OF THIS PRODUCT.



CE

Model 03119 shown

DRAPER®

GENERAL INFORMATION

These instructions accompanying the product are the original instructions. This document is part of the product, keep it for the life of the product passing it on to any subsequent holder of the product. Read all these instructions before assembling, operating or maintaining this product.

This manual has been compiled by Draper Tools describing the purpose for which the product has been designed, and contains all the necessary information to ensure its correct and safe use. By following all the general safety instructions contained in this manual, it will ensure both product and operator safety, together with longer life of the product itself. All photographs and drawings in this manual are supplied by Draper Tools to help illustrate the operation of the product. Whilst every effort has been made to ensure the accuracy of information contained in this manual, the Draper Tools policy of continuous improvement determines the right to make modifications without prior warning.



CONTENTS

Contents/Guarantee 1
 Specification 2
 Installation 2-3
 Operation 4
 Field of detection 5
 Potential problems 6
 Declaration enclosed



GUARANTEE

Draper tools have been carefully tested and inspected before shipment and are guaranteed to be free from defective materials and workmanship.

Should the tool develop a fault, please return the complete tool to your nearest distributor or contact Draper Tools Limited, Chandler's Ford, Eastleigh, Hampshire, SO53 1YF. England. Telephone Sales Desk: (023) 8049 4333 or Product Helpline (023) 8049 4344.

A proof of purchase must be provided with the tool.

If upon inspection it is found that a fault occurring is due to defective materials or workmanship, repairs will be carried out free of charge. The guarantee period covering parts/labour is 12 months from the date of purchase. This guarantee does not apply to normal wear and tear, nor does it cover any damage caused by misuse, careless or unsafe handling, alterations, accidents, or repairs attempted or made by any personnel other than the authorised Draper warranty repair agents.

Note: If the tool is found not to be within the Terms of Warranty, repair and carriage charges will be quoted and made accordingly.

This guarantee applies in lieu of any other guarantee expressed or implied and variations of its terms are not authorised.

Your Draper guarantee is not effective unless you can produce upon request a dated receipt or invoice to verify your proof of purchase within the guarantee period.

Please note that this guarantee is an additional benefit and does not affect your statutory rights.

Draper Tools Limited.



SPECIFICATION

The Draper Tools policy of continuous improvement determines the right to change specification without notice.

Stock no.	03117	03118	03119
Part no.	HL400WC	HL120WC-PIR	HL400WC-PIR
Rated voltage	230V/50Hz	230V/50Hz	230V/50Hz
Bulb:			
Type	R7 J118	R7 J78	R7 J118
	Halogen	Halogen	Halogen
Rating	400W	120W	400W
Ingress protection	IP54	IP44	IP44
P.I.R.	NO	YES	YES



INSTALLATION

- FITTING HALOGEN BULBS

- Unscrew the glass lens holder retaining screw and open carefully.
- Place the halogen bulb into the sockets at each end. **Do not touch or hold the bulb, only use the end caps.**
- Ensure the waterproof seal is fitted correctly, close the glass lens holder and tighten the retaining screw securely.

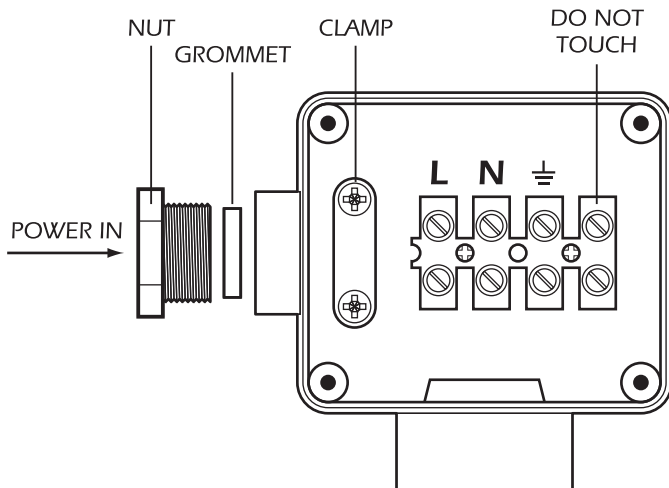
Spare bulbs are available: 400W 230V Stock No.03127
 120W 230V Stock No.03128

- **WIRING THE LAMP**

Brown or Red **L** Live
 Blue **N** Neutral
 Green/Yellow **⏚** Earth

- **WARNING: This type of product must be wired in by a professional electrician.**

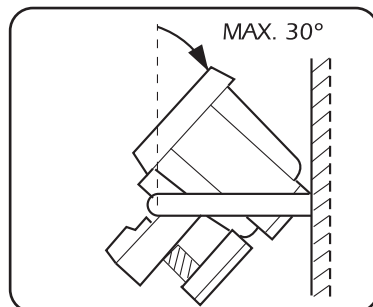
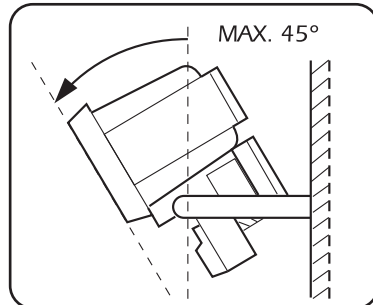
1. Open terminal box cover and remove cable clamp.
2. Undo cable clamp nut and remove rubber sealing ring.
3. Thread correct size power cable (not supplied) through inlet screw and sealing ring.
4. Insert the ends of the cables into their relevant terminals.
5. Replace the cable clamp and terminal box cover, as well as tightening the inlet nut.



- **NOTE: Model 03118 shown, other lamps may differ. Wires to be connected to the annotated terminals.**

- **MOUNTING THE LAMP**

The lamp can be securely fixed to mount horizontal surfaces by using the holes provided in the support bracket. The angle of the lamp can be adjusted to suit by loosening the support bracket bolts.



ADJUSTING DIALS

The PIR detector unit (if fitted) is equipped with 3 adjustable dials for the delay, light level and sensitivity.

- **DELAY ADJUSTMENT (TIME):**

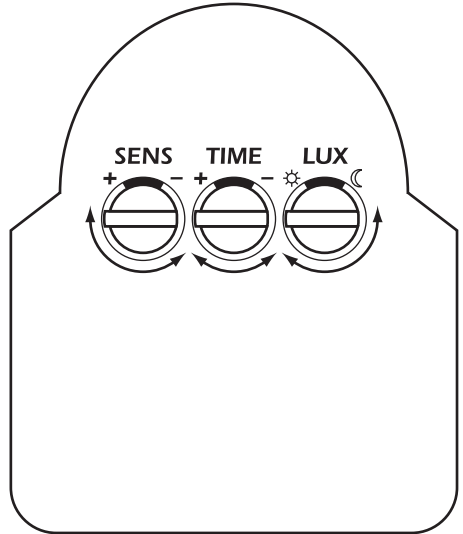
This dial will adjust the amount of time the lamp will remain illuminated after detection of movement. The time delay is adjustable from six seconds to ten minutes. Turn the dial clockwise to increase the lighting time.

- **LIGHT LEVEL ADJUSTMENT (LUX):**

This dial will adjust the light level that the light sensor will become active e.g. dusk or night. Turn the dial clockwise to increase the light level.

- **SENSITIVITY ADJUSTMENT (SENS):**

To help reduced false alarms (e.g. wind moving branches) from activating the light, turn the dial anti-clockwise.



- **NOTE:** This type of lamp can be a menace to neighbours or road users and as such should be mounted to prevent this situation.

The field of detection for the infra-red lamp can be adjusted to a maximum of 30° in the horizontal position and 30° in the vertical position. The benefit of this feature excludes any false detections from neighbouring areas.

The horizontal position has a permanent 120° field of detection which can be directed to the left or right.

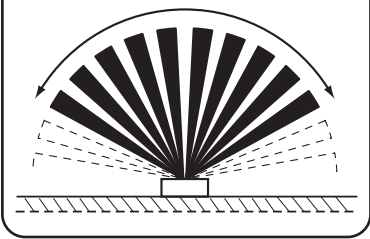
The vertical position can be reduced or expanded within the range shown in the diagram.

The best detection is obtained by approaching the field of detection at 90° to the direction in which the detector unit is facing.

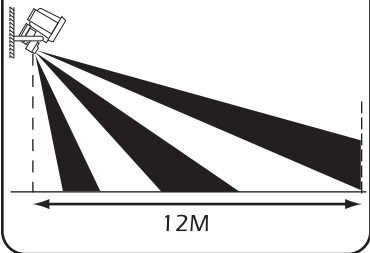
If the field of detection is approached in the same direction as the detector unit is facing, the response time in some cases will be delayed.

Top view - Horizontal Position

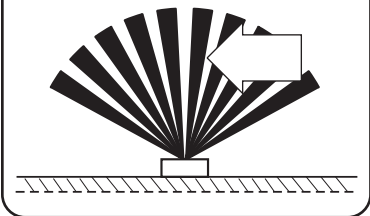
120°



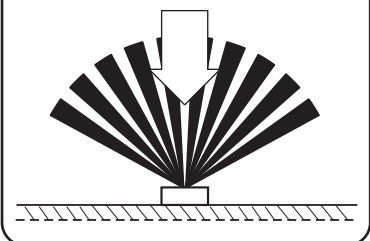
Side view - Vertical Position



GOOD DETECTION



POOR DETECTION



1. Ventilation ducts, such as the hot air discharge from a vapour cap or dryer, can cause the lamp to switch on when it is not required.
2. Passing traffic (warm engines), can also cause the lamp to switch itself on.
3. Nearby trees and bushes or wildlife, etc., can cause the lamp to switch on with sudden gusts of wind or movement, temperature changes.
4. If the lamp has been placed in a dark or shaded location, the lamp may stay on during daylight hours.
5. The lamp will not work satisfactorily if the field of detection is not broken.
6. If the temperature difference between the object and its surrounding area is too small (especially in summertime), the lamp will respond later. The range of detection will be ten metres instead of twelve metres.
7. If there are electromagnetic interferences greater than 4K.V. electrostatic discharge, 3V/m electromagnetic HF-field and 1K.V. electrical fast transient burst, then the lamp may switch on inadvertently.
8. If the lamp does not work, the bulb may be defective – replace if necessary. If the bulb is okay check the mains fuse for failure. If these are tested and found to be okay, consult a qualified electrician.
9. Halogen bulbs are a consumable and not covered by the Draper warranty.

- **DRAPER TOOLS LIMITED,**
Hursley Road, Chandler's Ford,
Eastleigh, Hampshire. SO53 1YF. U.K.

- **Helpline:** (023) 8049 4344
- **Sales Desk:** (023) 8049 4333
- **Internet:** www.draper.co.uk
- **E-mail:** sales@drapertools.com
- **Sales Fax:** (023) 8049 4209
- **General Enquiries:** (023) 8026 6355

- **Service/Warranty Repair Agent**
For aftersales servicing or warranty repairs, please
contact the Draper Tools Helpline for details of an
agent in your local area.

YOUR DRAPER STOCKIST

0AKC190111