

**DRAPER**<sup>®</sup>

## SPARE PARTS LISTING SHEET FOR 100L Air Compressor

Stock No.03238

Part No.DA100/365B

KEY No.	PART No.	STOCK No.	DESCRIPTION
1	C312036000	03679	Dipstick assembly.
2	C113149015	28541	Lower cover.
3	C113167001	73475	Crankcase.
4	C033027000	73476	Bearing.
5	C010053000	28543	Oil seal.
6	C113149008	28546	Front support.
7	C020025000	73466	O-Ring.
8	C013160010	38757	Flywheel.
9	C010023000	28544	O-Ring.
10	C014001057	09390	Screw left.
11	C010085000	03680	Radiator O-Ring.
12	C010121000	03681	O-Ring.
13	C113149009	73478	End cover.
14	C012036000	73479	Oil dipstick.
15	C113149013	28540	Seal.
16	C113167003	73481	Crankshaft.
17	C113150004	28555	Conrod.
18	C213167001	03682	Piston ring kit.
19	C113164009	03683	Piston.
20	C116025006	28557	Piston pin.
21	C015023000	28556	Circlip.
22	C413167006	03684	Complete piston
23	C113167002	03685	Cylinder.
24	C413167005	03687	Valve holder plate.
25	C113167020	03688	Head.
26	C017003000	03689	Filtering element.
27	C317001000	03690	Intake filter.
28	C113149012	28562	Seal.
29	C116091024	03691	Radiator.
30	C113167007	03692	Cylinder gasket.
31	C113150002	73471	Shroud.
32	C213167002	03693	Seal kit.
33	C011158000	28463	Cold start valve.
34	C017007005	03695	Filter housing.
35	C113167008	03696	Seal.

KEY No.	PART No.	STOCK No.	DESCRIPTION
50	C172110010V	03699	Tank.
51	C022021000	78249	Drain valve.
52	C170QH0003	03700	Support.
53	C020024000	79150	Wheel.
54	C176QA0001	39577	Wheel spindle.
55	C011088000	03666	Plug.
56	C011100007	03698	Nipple.
57	C020004000	73461	Cushion.
58	C011205000	03702	Plug.
59	C470TH0010	03703	Wheel set.
60	C199763000	51362	Spacer.
61	C047206000	73463	Safety valve.
62	C540E150605	19383	Motor.
63	C199426000V	03671	Handle.
65	C172QA0002	03672	Delivery pipe.
66	C011304000	73469	Olive.
67	C046001000	34728	Tube.
70	C247002000	03697	Check valve maintenance kit.
71	C347136000	03704	Check valve.
72	C011731000	78252	Quick coupler nipple.
73	C322030000	19380	Quick coupler.
74	C011017000	28350	Nipple.
75	C047175000	03675	Belt.
76	C321028000	28403	Pressure switch.
77	C319117000	78254	Pressure reducer.
78	C330006000	28580	Gauge.
79	C199110140	52171	Nipple.
80	C330007000	73496	Gauge.
82	C102GY0400	03674	Plug and cable
83	C014005007	28535	Washer.
84	C020320000	03670	Guard nut.
85	C140289004	78387	Pulley.
86	C020319000	03676	Guard bolt.
87	C199140647	19382	Belt guard.
88	C5131670000	03677	Pump.

**Helpline: (023) 8049 4344. Sales Desk: (023) 8049 4333. General Enquiries: (023) 8026 6355.**

DRAPER TOOLS LTD, HURSLEY ROAD, CHANDLER'S FORD, EASTLEIGH, HANTS. SO53 1YF. U.K. internet: [www.draper.co.uk](http://www.draper.co.uk) e-mail: [sales@drapertools.com](mailto:sales@drapertools.com)

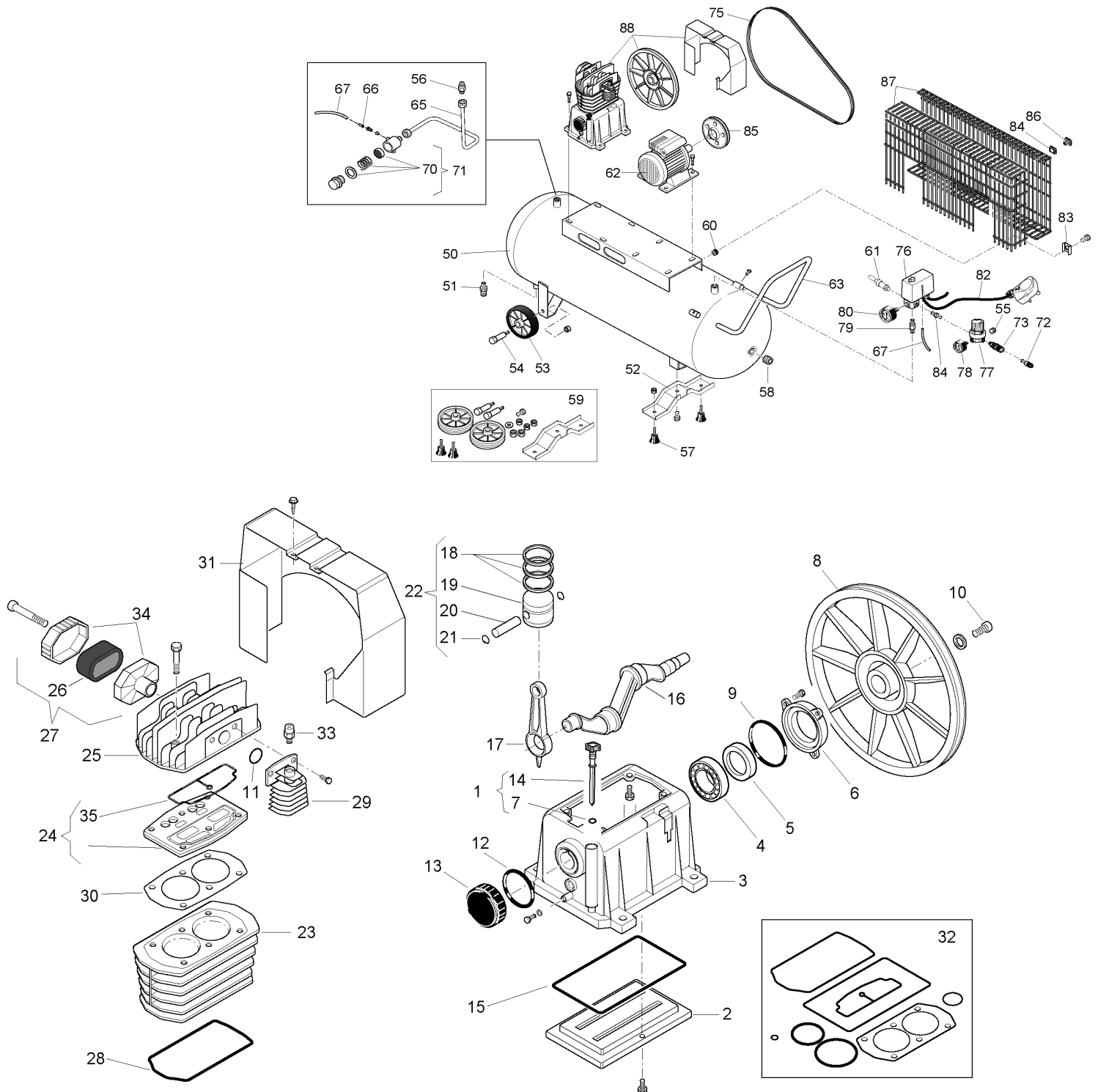
RWDH261110



# SPARE PARTS DRAWING SHEET FOR 100L Air Compressor

Stock No.03238

Part No.DA100/365B



Helpline: (023) 8049 4344. Sales Desk: (023) 8049 4333. General Enquiries: (023) 8026 6355.

DRAPER TOOLS LTD, HURSLEY ROAD, CHANDLER'S FORD, EASTLEIGH, HANTS. SO53 1YF. U.K. internet: www.draper.co.uk e-mail: sales@drapertools.com

RWDH261110