

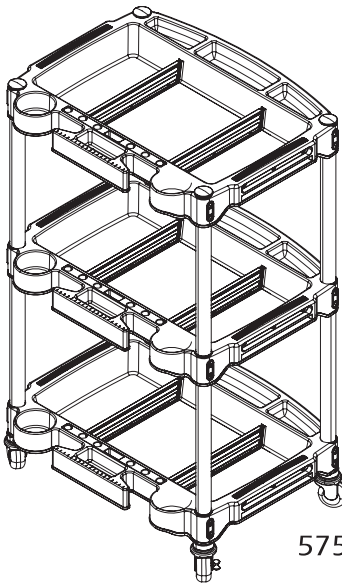
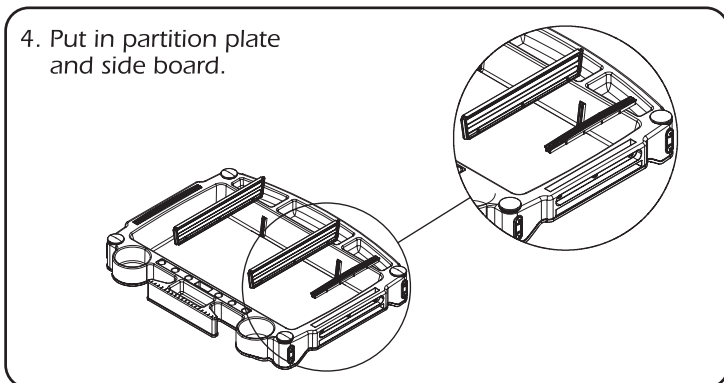
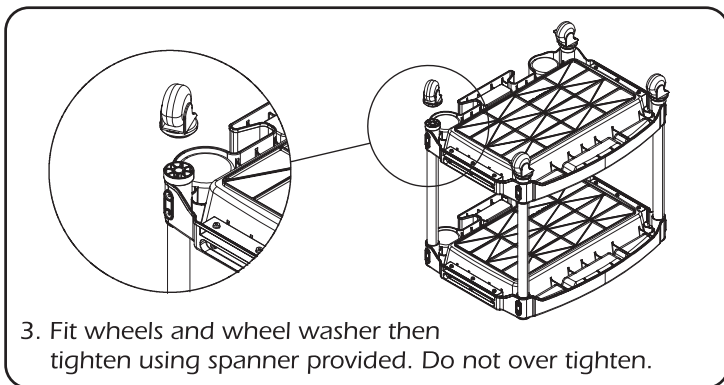
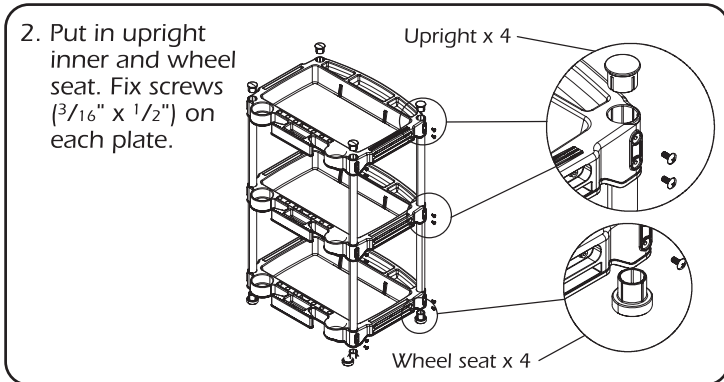
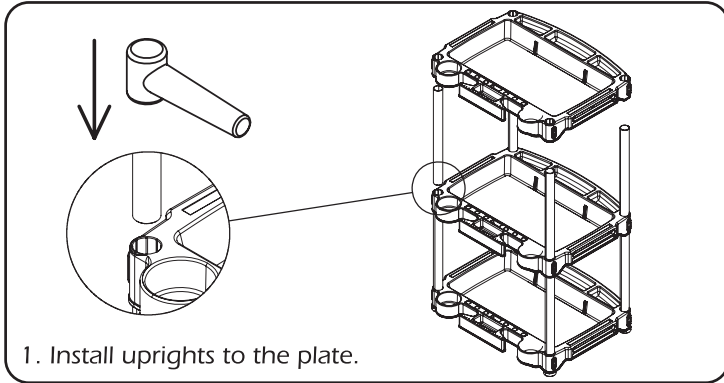


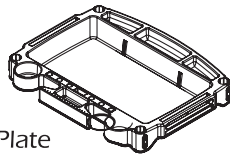
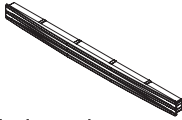

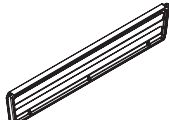
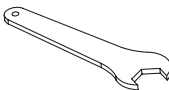
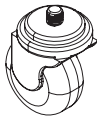
# Assembly Instructions


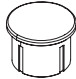
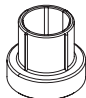
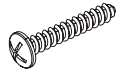

## 3 Tier Workshop Trolley

Stock No.04612  
Part No.WST-2

575 x 460 x 900mm



DESCRIPTION	QTY
 Plate	3
 Side board	6
 Upright	8
 Partition plate	6
 Wheel Spanner	1
 Swivel wheel	2

DESCRIPTION	QTY
 Swivel wheel with brake	2
 Upright Inner	4
 Wheel seat	4
 Screw $\frac{3}{16}$ " x $\frac{1}{2}$ "	24
 Washer (wheel)	4

**Helpline: (023) 8049 4344. Sales Desk: (023) 8049 4333. General Enquiries: (023) 8026 6355.**

DRAPER TOOLS LTD, HURSLEY ROAD, CHANDLER'S FORD, EASTLEIGH, HANTS. SO53 1YF. U.K. internet: [www.drapertools.co.uk](http://www.drapertools.co.uk) e-mail: [sales@drapertools.com](mailto:sales@drapertools.com)