



SPARE PARTS LISTING SHEET FOR

# Motorcycle Scissor Lift

Stock No.04994

Part No.MCPL3

KEY No.	PART No.	STOCK No.	DESCRIPTION
1	YMCPL3-1	81517	Rubber Pad.
2	YMCPL3-2	81518	Steel Plate.
3	YMCPL3-3	81520	Upper Frame.
4	YMCPL3-4	81521	Damping Nut M8.
5	YMCPL3-5	81525	Thread Knob.
6	YMCPL3-6	81526	Washer.
7	YMCPL3-7	81530	U-Bolt.
8	YMCPL3-8	81531	J-Hook.
9	YMCPL3-9	81532	Upper Roller.
10	YMCPL3-10	81534	Fixing Block.
11	YMCPL3-11	81535	Lower Roller.
12	YMCPL3-12	81536	Pump.
13	YMCPL3-13	81537	Bolt M10.
14	YMCPL3-14	81538	Foot Pedal Pad.
15	YMCPL3-15	81539	Foot Pedal.
16	YMCPL3-16	81540	Pin Shaft.
17	YMCPL3-17	81541	Release Foot Pedal.

KEY No.	PART No.	STOCK No.	DESCRIPTION
18	YMCPL3-18	81543	Connecting Plate.
19	YMCPL3-19	81544	Connecting Pin.
20	YMCPL3-20	81545	R-Pin.
21	YMCPL3-21	81546	Washer M8.
22	YMCPL3-22	81547	Bolt M8 x 25.
23	YMCPL3-23	81548	Locking Bar.
24	YMCPL3-24	81549	Base Frame.
25	YMCPL3-25	81550	Damping Nut M5.
26	YMCPL3-26	81551	Washer M5.
27	YMCPL3-27	81552	Bolt M5 x 45.
28	YMCPL3-28	81553	Damping Nut M8.
29	YMCPL3-29	81555	Washer M8.
30	YMCPL3-30	81556	Bolt M8 x 12.
31	YMCPL3-31	81557	Damping Nut M12.
32	YMCPL3-32	81558	Lifting Arm Assy.
33	YMCPL3-33	81559	Seal Kit.

**Helpline: (023) 8049 4344. Sales Desk: (023) 8049 4333. General Enquiries: (023) 8026 6355.**

DRAPER TOOLS LTD, HURSLEY ROAD, CHANDLER'S FORD, EASTLEIGH, HANTS. SO53 1YF. U.K website: [www.drapertools.com](http://www.drapertools.com) e-mail: [sales@drapertools.com](mailto:sales@drapertools.com)

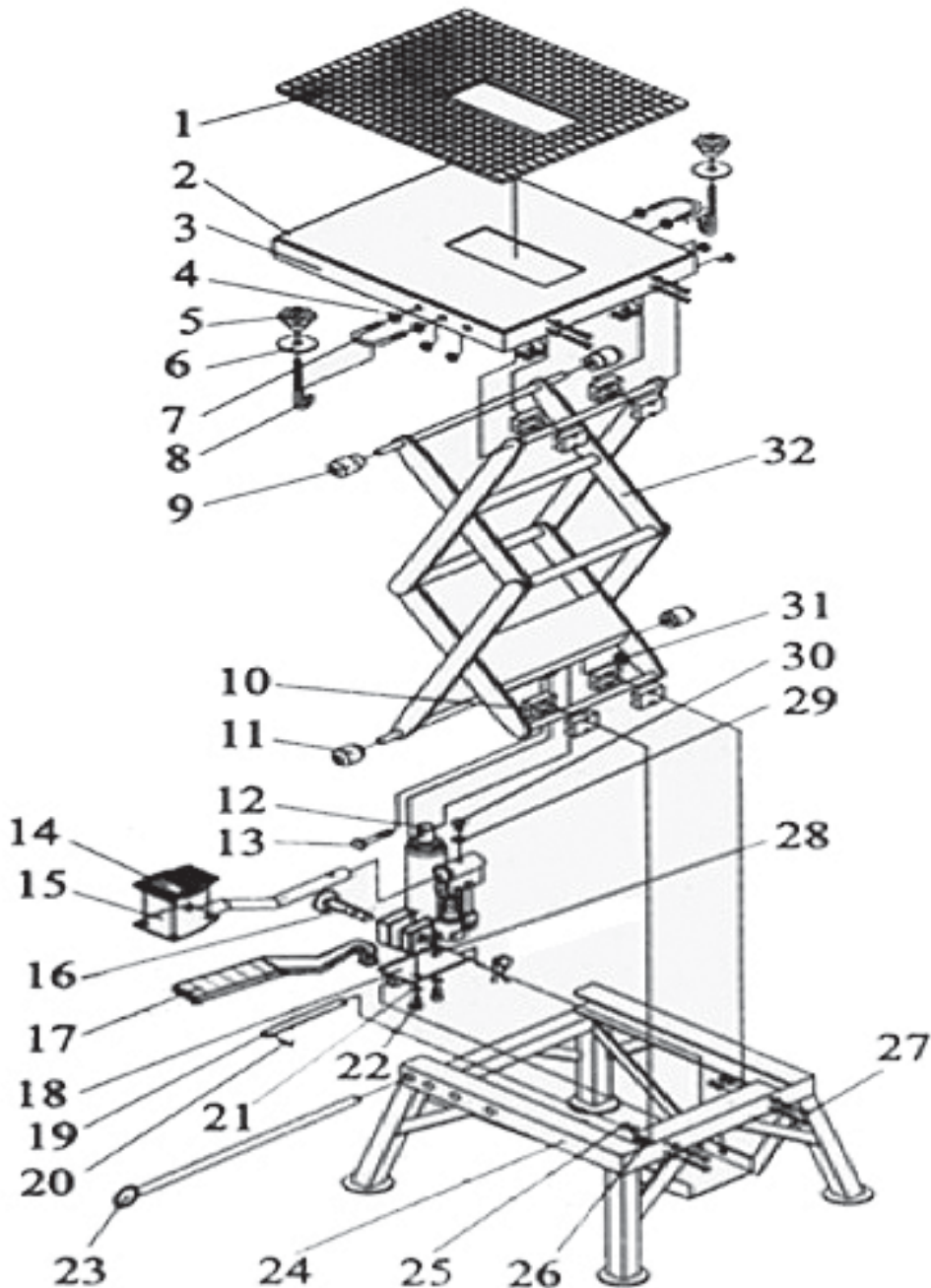


SPARE PARTS DRAWING SHEET FOR

# Motorcycle Scissor Lift

Stock No.04994

Part No.MCPL3



**Helpline:** (023) 8049 4344. **Sales Desk:** (023) 8049 4333. **General Enquiries:** (023) 8026 6355.

DRAPER TOOLS LTD, HURSLEY ROAD, CHANDLER'S FORD, EASTLEIGH, HANTS. SO53 1YF U.K website: [www.drapertools.com](http://www.drapertools.com) e-mail: [sales@drapertools.com](mailto:sales@drapertools.com)