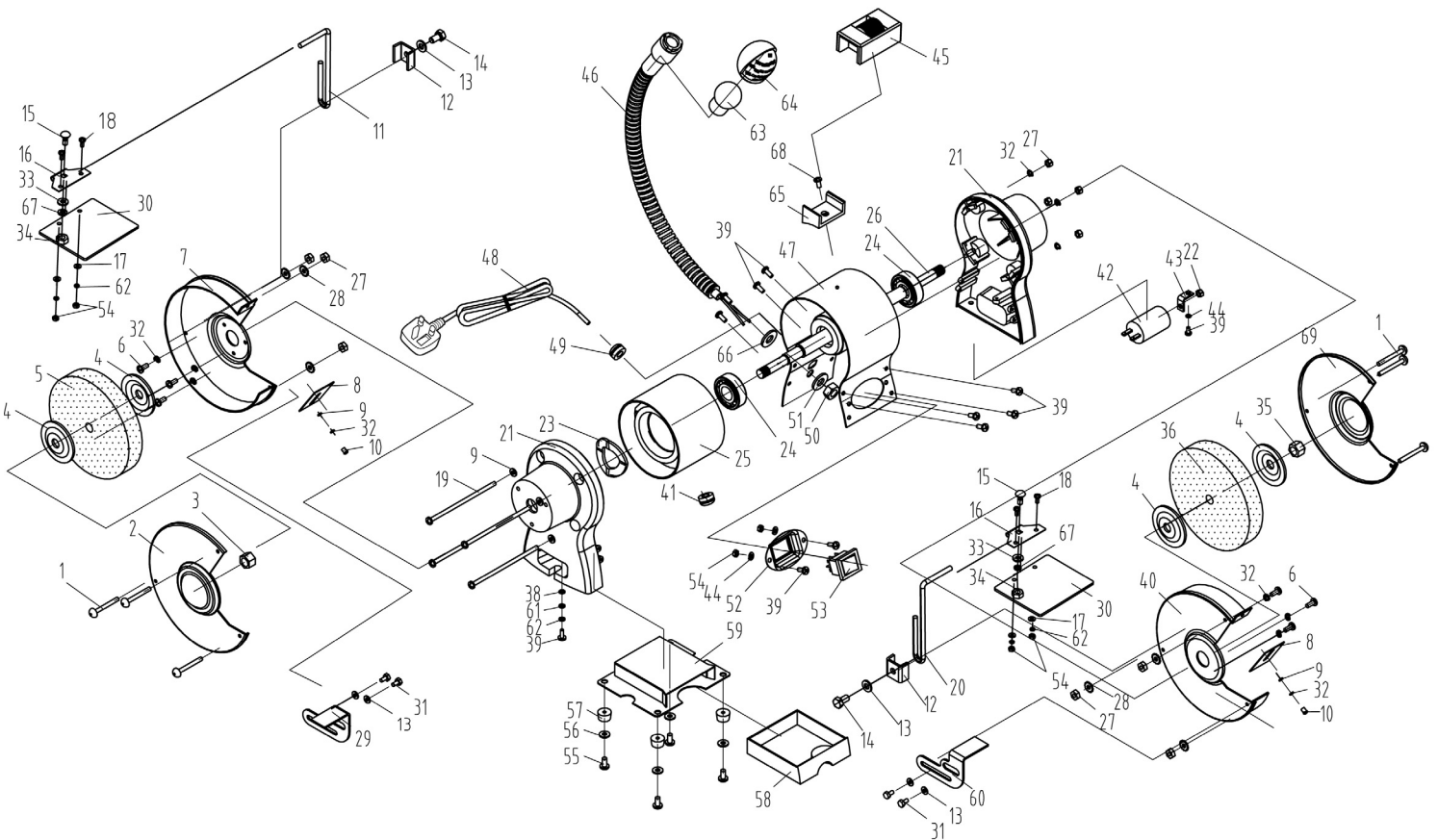


DRAPER®

SPARE PARTS LISTING & DRAWING SHEET FOR 200mm 550W Bench Grinder with Worklight

Stock No.05097

Part No.GD825L



KEY No.	PART No.	STOCK No.	DESCRIPTION
1	YGD825L-1	05329	Screw.
2	YGD825L-2	05330	Left hand wheel cover.
3	YGD825L-3	05331	Nut.
4	YGD825L-4	05332	Wheel clamp flange.
5	AG-200	09510	Grinding wheel – coarse.
6	YGD825L-6	05333	Screw.
7	YGD825L-7	05334	Left guard.
8	YGD825L-8	05336	Spark deflector.
9	YGD825L-9	05337	Washer.
10	YGD825L-10	05338	Screw.

KEY No.	PART No.	STOCK No.	DESCRIPTION
11	YGD825L-11	05339	Left eyeshield holder.
12	YGD825L-12	05340	Bracket.
13	YGD825L-13	05341	Washer.
14	YGD825L-14	05342	Bolt.
15	YGD825L-15	05344	Bolt.
16	YGD825L-16	05345	Plate.
17	YGD825L-17	05346	Washer.
18	YGD825L-18	05347	Screw.
19	YGD825L-19	05348	Screw.
20	YGD825L-20	05349	Right eyeshield holder.

Helpline: (023) 8049 4344. Sales Desk: (023) 8049 4333. General Enquiries: (023) 8026 6355.

DRAPER TOOLS LTD, HURSLEY ROAD, CHANDLER'S FORD, EASTLEIGH, HANTS. SO53 1YF. U.K. internet: www.draper.co.uk e-mail: sales@drapertools.com

DKCH020311

DRAPER[®]

SPARE PARTS LISTING SHEET FOR

200mm 550W Bench Grinder with Worklight

Stock No.05097

Part No.GD825L

KEY No.	PART No.	STOCK No.	DESCRIPTION
21	YGD825L-21	05350	End bell.
22	YGD825L-22	05352	Nut.
23	YGD825L-23	05353	Washer.
24	YGD825L-24	05354	Bearing.
25	YGD825L-25	05355	Stator.
26	YGD825L-26	05356	Rotor.
27	YGD825L-27	05357	Nut.
28	YGD825L-28	05358	Washer.
29	YGD825L-29	05359	Left tool rest.
30	YGD825L-30	05360	Eyeshield.
31	YGD825L-31	05361	Bolt.
32	YGD825L-32	05362	Washer.
33	YGD825L-33	05363	Washer.
34	YGD825L-34	05364	Nut.
35	YGD625L-35	05365	Nut.
36	AG200	09509	Grinding wheel – fine.
38	YGD825L-38	05366	Washer.
39	YGD825L-39	05367	Screw.
40	YGD825L-40	05368	Right safe guard.
41	YGD825L-41	05370	Power cable bush.
42	YGD825L-42	05371	Capacitor.
43	YGD825L-43	05372	Capacitor support.
44	YGD825L-44	05373	Washer.
45	YGD825L-45	05374	Wheel dressing tool.

KEY No.	PART No.	STOCK No.	DESCRIPTION
46	YGD825L-46	05375	Lamp pipe.
47	YGD825L-47	05376	Motor housing.
48	YGD825L-48	05378	Plug and cable.
49	YGD825L-49	05379	Cable clamp.
50	YGD825L-50	05380	Nut.
51	YGD825L-51	05381	Washer.
52	YGD825L-52	05382	Switch plate.
53	YGD825L-53	05383	Switch.
54	YGD825L-54	05384	Nut.
55	YGD825L-55	05386	Screw.
56	YGD825L-56	05387	Washer.
57	YGD825L-57	05388	Rubber foot.
58	YGD825L-58	05389	Tool tray.
59	YGD825L-59	05390	Base plate.
60	YGD825L-60	05391	Right tool rest.
61	YGD825L-61	05392	Washer.
62	YGD825L-62	05394	Washer.
63	YGD825L-63	05395	Bulb.
64	YGD825L-64	05396	Lamp shade.
65	YGD825L-65	05397	Wheel dresser base.
66	YGD825L-66	05398	Washer.
67	YGD825L-67	05399	Washer.
68	YGD825L-68	05401	Screw.
69	YGD825L-69	05402	Right wheel cover.

Helpline: (023) 8049 4344. Sales Desk: (023) 8049 4333. General Enquiries: (023) 8026 6355.DRAPER TOOLS LTD, HURSLEY ROAD, CHANDLER'S FORD, EASTLEIGH, HANTS. SO53 1YF. U.K. internet: www.drapertools.co.uk e-mail: sales@drapertools.com