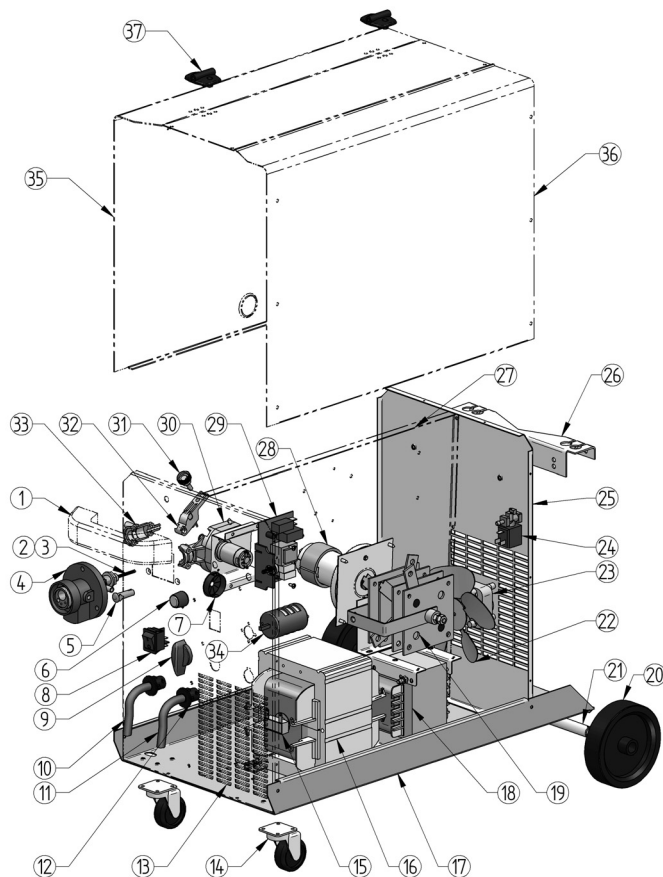




SPARE PARTS LISTING & DRAWING SHEET FOR 200A Turbo MIG Welder

Stock No.05566

Part No.MW183PRO



KEY No.	PART No.	STOCK No.	DESCRIPTION
1	Y687002	06331	Handle.
2	Y675650	06332	Wire guide tube.
3	Y780289	06334	Liner.
4	Y675500	06335	Torch connection.
5	Y654027	06336	Lamp.
6	Y650033	06337	Knob.
7	Y650228	06338	Cable lock.
8	Y651130	06339	Switch.
9	Y650094	06340	Knob.
10	Y741558	06342	Input supply cable.
11	Y741382	06343	Mass cable connection.
12	Y720096	06344	Cable lock.
13	Y710162	06345	Front panel.
14	Y688019	06346	Wheel.
15	Y657027	06347	Thermal protective device.
16	Y751908	06348	Transformer.
17	Y714895	06349	Bottom.
18	Y751631	06350	Inductor.
19	Y666114	06351	Rectifier.

KEY No.	PART No.	STOCK No.	DESCRIPTION
20	Y688006	06352	Wheel.
21	Y714862	06353	Axle.
22	Y673040	06354	Fan.
23	Y673082	06355	Exhaust fan.
24	Y670024	06356	Solenoid valve.
25	Y714881	06357	Back panel.
26	Y714516	06358	Gas cylinder support.
27	Y714885	06360	Separating panel.
28	Y780292	06361	Wire spool holder.
29	Y760304	06362	Electronic PC board.
30	Y780242	06363	Complete wire feed unit.
31	Y687051	06364	Handwheel.
32	Y780197	06365	Wire pressure unit.
33	Y720122	06366	Torch body – front & back.
34	Y651149	06368	Switch.
35	Y710163	06369	Left panel.
36	Y710164	06370	Right panel.
37	Y650389	06371	Hinge.

Helpline: (023) 8049 4344. Sales Desk: (023) 8049 4333. General Enquiries: (023) 8026 6355.

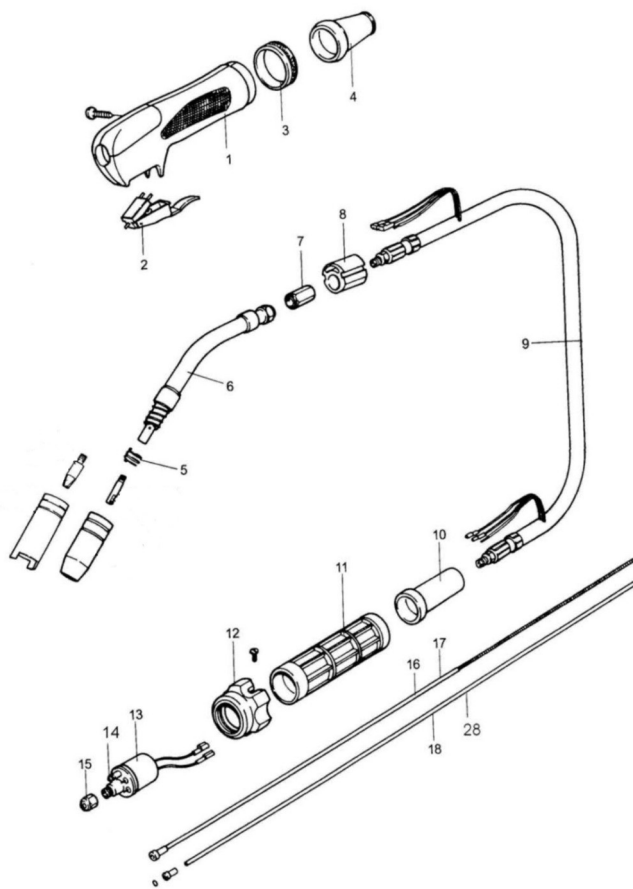
DRAPER TOOLS LTD, HURSLEY ROAD, CHANDLER'S FORD, EASTLEIGH, HANTS. SO53 1YF U.K. internet: www.draper.co.uk e-mail: sales@drapertools.com



SPARE PARTS LISTING & DRAWING SHEET FOR 200A Turbo MIG Welder Torch Assembly

Stock No.05566

Part No.MW183PRO



KEY No.	PART No.	STOCK No.	DESCRIPTION
1	Y675478	06826	Handle.
2	Y675481	06825	Switch.
3	Y675479	06824	Ring.
4	Y675480	06823	Sockets protective sheath.
5	Y010437	06821	Spring: Lance DE11>20; EP15 – 10pcs.
6	Y010488	06820	Lance: Torch EP15.
7	Y675311	06819	Connector.
8	Y675312	06818	Insulator.
9	Y675305	06817	Cable.
10	Y675313	06816	Sockets Protective sheath.
11	Y675482	06815	Handle.
12	Y675315	06813	Ring.

KEY No.	PART No.	STOCK No.	DESCRIPTION
13	Y675314	06812	Torch connection.
14	Y675308	06811	Gasket.
15	Y675307	06810	Nut.
16	Y010743	06809	Liner: iron Ø 0,6 – 0,9mm (Torch EP15>36; MB40; 501).
17	Y010744	06808	Liner: iron Ø 1,0 – 1,2mm (Torch EP15>36; MB40; 501).
18	Y010746	06807	Liner: Aluminium Ø 0,8 – 1,0 – 1,2mm (Torch EP15>36; MB40; 501).
28	Y010747	06805	Liner: Aluminium Ø 1,2 – 1,6mm (Torch EP15>36; MB40; 501).

Helpline: (023) 8049 4344. Sales Desk: (023) 8049 4333. General Enquiries: (023) 8026 6355.

DRAPER TOOLS LTD, HURSLEY ROAD, CHANDLER'S FORD, EASTLEIGH, HANTS. SO53 1YF U.K. internet: www.draper.co.uk e-mail: sales@drapertools.com