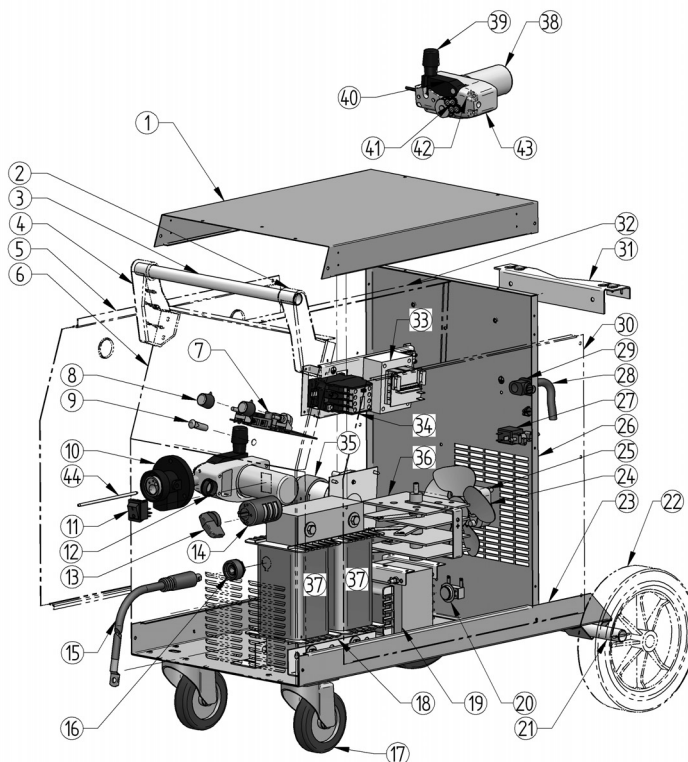




SPARE PARTS LISTING & DRAWING SHEET FOR 240A Turbo MIG Welder

Stock No.05568

Part No.MW184AT PRO



KEY No.	PART No.	STOCK No.	DESCRIPTION
1	Y710136	06372	Top cover.
2	Y620115	06373	Support.
3	Y714757	06374	Handle.
4	Y620116	06375	Support.
5	Y710158	06376	Left panel.
6	Y710156	06377	Front panel.
7	Y760264	06378	Electronic PC board.
8	Y620095	06379	Knob.
9	Y654017	06380	Lamp.
10	Y675497	06381	Torch connection.
11	Y651148	06382	Switch.
12	Y650197	06383	Cable lock.
13	Y650094	06384	Knob.
14	Y651149	06385	Switch.
15	Y741528	06386	Mass cable connection.
16	Y720096	06387	Cable lock.
17	Y688018	06388	Wheel.
18	Y751909	06389	Transformer.
19	Y751911	06390	Inductor.
20	Y657027	06391	Thermal protective device.
21	Y714756	06392	Axle.
22	Y688016	06393	Wheel.

KEY No.	PART No.	STOCK No.	DESCRIPTION
23	Y714800	06394	Bottom.
24	Y673040	06395	Fan.
25	Y673061	06396	Exhaust fan.
26	Y714744	06397	Back panel.
27	Y670023	06398	Solenoid valve.
28	Y741223	06399	Input supply cable.
29	Y650004	06400	Cable lock.
30	Y710159	06401	Right Panel.
31	Y714516	06402	Gas cylinder support.
32	Y714749	06403	Separating panel.
33	Y751628	06404	Transformer.
34	Y656041	06405	Remote control switch.
35	Y780292	06406	Wire spool holder.
36	Y666169	06407	Rectifier.
37	Y751910	06408	MIG coil.
38	Y671028	06409	Motor for wire feed unit.
39	Y687054	06410	Handwheel.
40	Y687055	06411	Wire pressure unit.
41	Y675644	06412	Kit gear.
42	Y687056	06413	Torch connection cap.
43	Y671024	06414	Complete wire feed unit.
44	Y675633	06415	Wire guide tube.

Helpline: (023) 8049 4344. Sales Desk: (023) 8049 4333. General Enquiries: (023) 8026 6355.

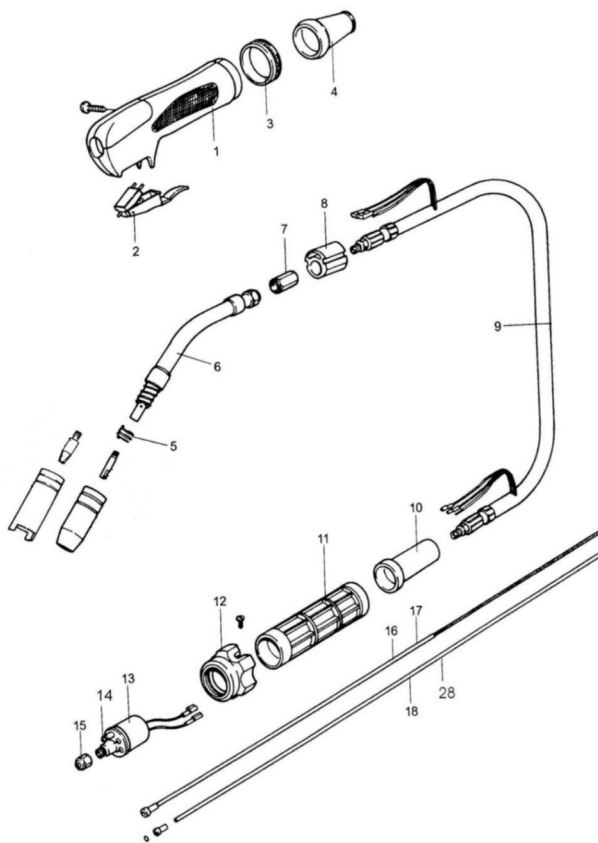
DRAPER TOOLS LTD, HURSLEY ROAD, CHANDLER'S FORD, EASTLEIGH, HANTS. SO53 1YF U.K. internet: www.draper.co.uk e-mail: sales@drapertools.com



SPARE PARTS LISTING & DRAWING SHEET FOR 240A Turbo MIG Welder Torch Assembly

Stock No.05568

Part No.MW184AT PRO



KEY No.	PART No.	STOCK No.	DESCRIPTION
1	Y675478	06772	Handle.
2	Y675481	06774	Switch.
3	Y675479	06775	Ring.
4	Y675480	06776	Sockets protective sheath.
5	Y010437	06777	Spring: Lance DE11>20; EP15 – 10pcs.
6	Y010488	06778	Lance: Torch EP15.
7	Y675311	06779	Connector.
8	Y675312	06780	Insulator.
9	Y675305	06782	Cable.
10	Y675313	06783	Sockets Protective sheath.
11	Y675482	06784	Handle.
12	Y675315	06785	Ring.

KEY No.	PART No.	STOCK No.	DESCRIPTION
13	Y675314	06786	Torch connection.
14	Y675308	06787	Gasket.
15	Y675307	06788	Nut.
16	Y010743	06789	Liner: iron Ø 0,6 – 0,9mm (Torch EP15>36; MB40; 501).
17	Y010744	06790	Liner: iron Ø 1,0 – 1,2mm (Torch EP15>36; MB40; 501).
18	Y010746	06803	Liner: Aluminium Ø 0,8 – 1,0 – 1,2mm (Torch EP15>36; MB40; 501).
28	Y010747	06804	Liner: Aluminium Ø 1,2 – 1,6mm (Torch EP15>36; MB40; 501).

Helpline: (023) 8049 4344. Sales Desk: (023) 8049 4333. General Enquiries: (023) 8026 6355.

DRAPER TOOLS LTD, HURSLEY ROAD, CHANDLER'S FORD, EASTLEIGH, HANTS. SO53 1YF U.K. internet: www.draper.co.uk e-mail: sales@drapertools.com