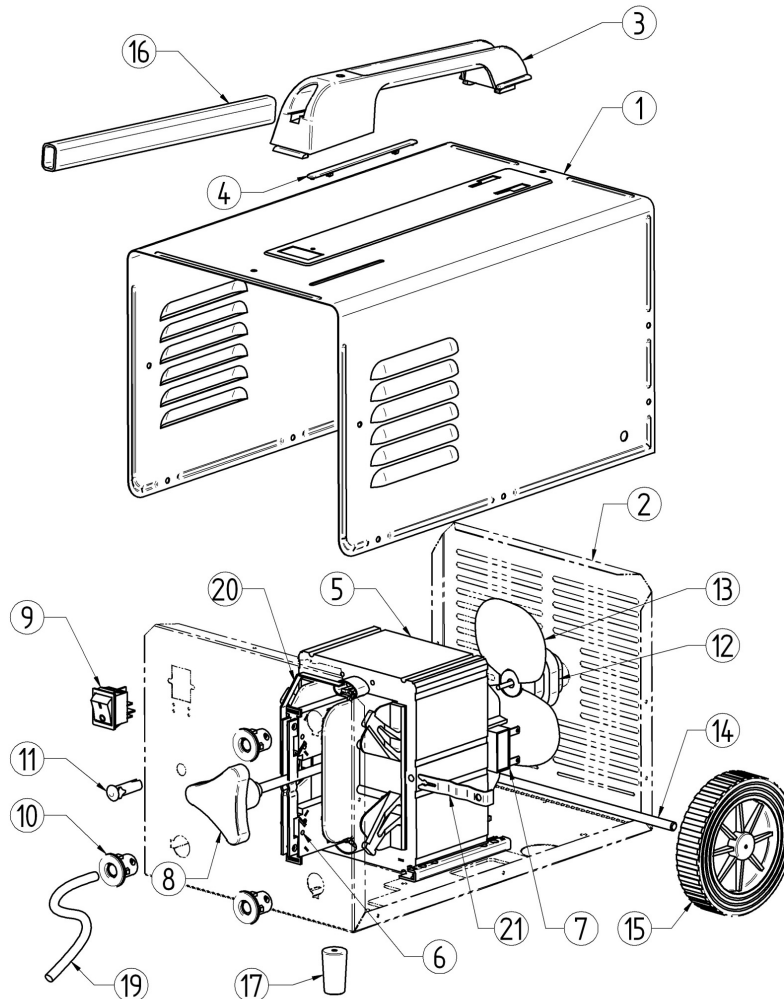




SPARE PARTS LISTING & DRAWING SHEET FOR 160A Arc Welder Turbo

Stock No.05571

Part No.AW163AT



KEY No.	PART No.	STOCK No.	DESCRIPTION
1	Y710144	06696	Top cover.
2	Y714235	06697	Bottom.
3	Y720110	06698	Handle.
4	Y720017	06699	Scala needle protection cover.
5	Y751267	06700	Transformer.
6	Y712974	06701	Shunt.
7	Y657027	06702	Thermal protective device.
8	Y720256	06703	Adjusting screw.
9	Y651127	06704	Switch.
10	Y720096	06705	Cable lock.

KEY No.	PART No.	STOCK No.	DESCRIPTION
11	Y654021	06706	Lamp.
12	Y673049	06708	Exhaust fan.
13	Y673050	06709	Fan.
14	Y610401	06710	Axle.
15	Y720055	06711	Wheel.
16	Y687026	06712	Handle.
17	Y688001	06713	Foot.
19	Y741209	06714	Input supply cable.
20	Y712737	06716	Scale needle.
21	Y681031	06717	Spring.

Helpline: (023) 8049 4344. Sales Desk: (023) 8049 4333. General Enquiries: (023) 8026 6355.

DRAPER TOOLS LTD, HURSLEY ROAD, CHANDLER'S FORD, EASTLEIGH, HANTS. SO53 1YF U.K. internet: www.draper.co.uk e-mail: sales@drapertools.com