

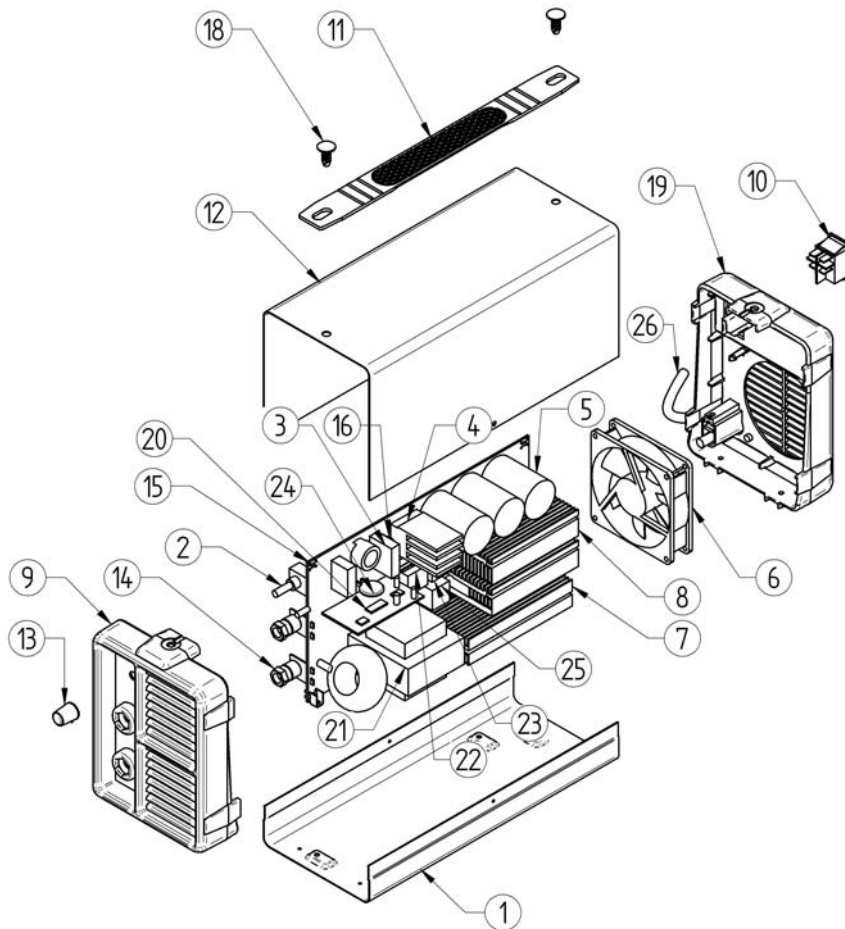
DRAPER

®

SPARE PARTS LISTING & DRAWING SHEET FOR 165A MMA/TIG Inverter

Stock No.05573

Part No.INV165



KEY No.	PART No.	STOCK No.	DESCRIPTION
1	Y714621	06467	Bottom.
2	Y663024	06417	Potentiometer.
3	Y656041	06556	Relay.
4	Y666083	06281	Rectifier.
5	Y662058	06420	Capacitor.
6	Y673085	06472	Exhaust fan.
7	Y762013	06307	Kit diode.
8	Y762015	06423	Kit IGBT.
9	Y720351	06476	Front panel.
10	Y651148	06382	Switch.
11	Y720290	06478	Handle.
12	Y710142	06479	Top cover.
13	Y620138	06273	Knob.

KEY No.	PART No.	STOCK No.	DESCRIPTION
14	Y650270	06481	Dinse socket.
15	Y760236	06482	Power PC board.
16	Y661093	06318	Resistor.
18	Y620004	06433	Cap.
19	Y720319	06485	Back panel.
20	Y760181	06486	Control PC board.
21	Y650267	06487	Transformer.
22	Y650245	06288	Current transformer.
23	Y650247	06287	Transformer driver.
24	Y664123	06491	Mov.
25	Y762026	06492	Kit flyback.
26	Y741452	06466	Input supply cable.

Helpline: (023) 8049 4344. Sales Desk: (023) 8049 4333. General Enquiries: (023) 8026 6355.

DRAPER TOOLS LTD, HURSLEY ROAD, CHANDLER'S FORD, EASTLEIGH, HANTS. SO53 1YF. U.K. internet: www.draper.co.uk e-mail: sales@drapertools.com

KCJP190511