

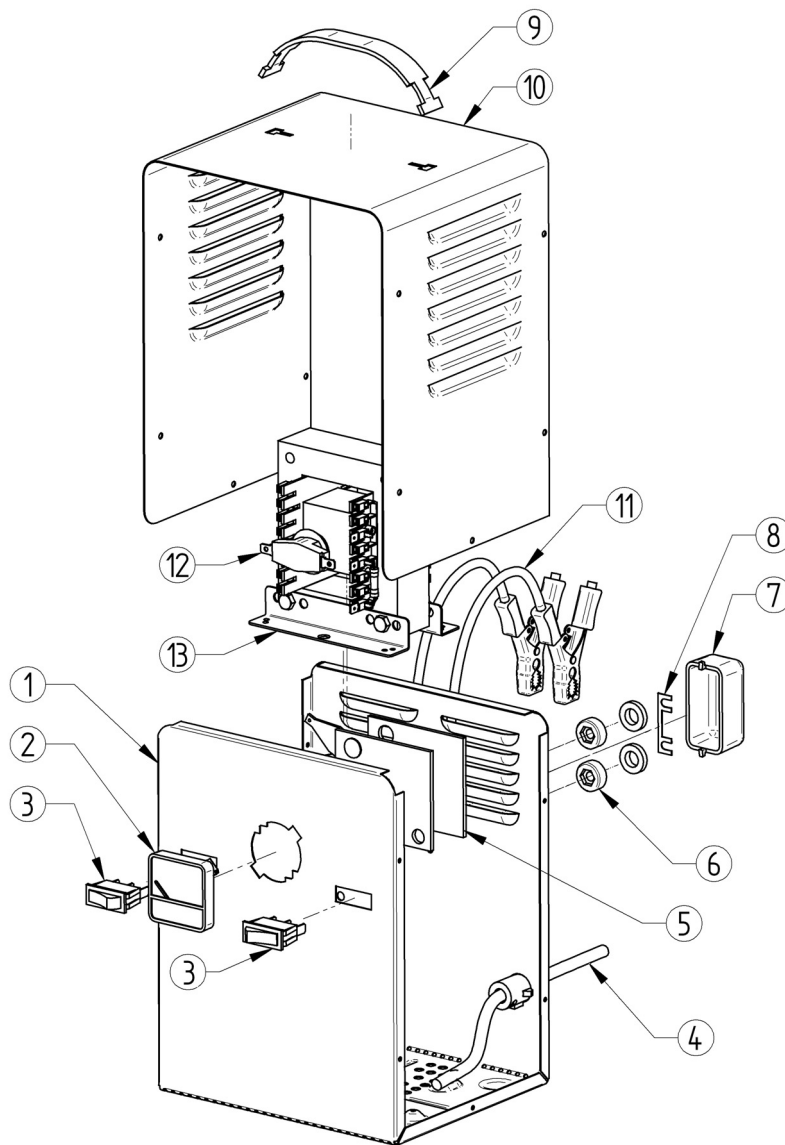


SPARE PARTS LISTING & DRAWING SHEET FOR

# Battery Charger

Stock No.05582

Part No.BCS150B



KEY No.	PART No.	STOCK No.	DESCRIPTION
1	Y710096	05593	Bottom plate
2	Y652065	05594	Ammeter
3	Y651037	40555	Switch
4	Y741433	05595	Input supply cable
5	Y666068	40612	Rectifier
6	Y630033	40567	Insulator
7	Y720180	40568	Fuse cover

KEY No.	PART No.	STOCK No.	DESCRIPTION
8	Y010296	40576	Fuse 50A
9	Y720032	40598	Handle strap
10	Y714514	40597	Top cover
11	Y741531	05596	Connection
12	Y657014	40573	Thermal protection device
13	Y750682	40611	Transformer

**Helpline: (023) 8049 4344. Sales Desk: (023) 8049 4333. General Enquiries: (023) 8026 6355.**

DRAPER TOOLS LTD, HURSLEY ROAD, CHANDLER'S FORD, EASTLEIGH, HANTS. SO53 1YF U.K. internet: [www.draper.co.uk](http://www.draper.co.uk) e-mail: [sales@drapertools.com](mailto:sales@drapertools.com)