

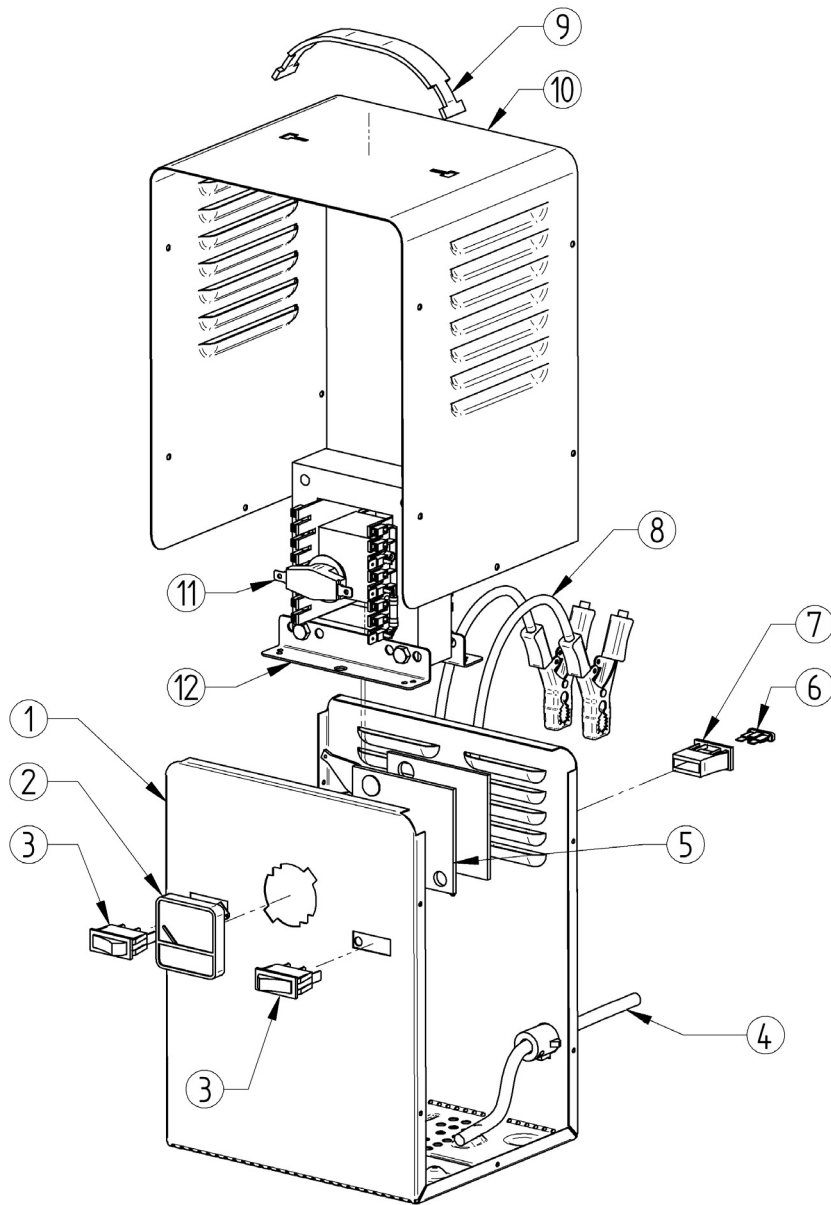


SPARE PARTS LISTING & DRAWING SHEET FOR

Battery Charger

Stock No.05583

Part No.BC30B



KEY No.	PART No.	STOCK No.	DESCRIPTION
1	Y710095	05584	Bottom plate
2	Y652065	05585	Ammeter
3	Y651037	40555	Switch
4	Y741433	05595	Input supply cable
5	Y666068	40612	Rectifier
6	Y010278	05591	Fuse 40A

KEY No.	PART No.	STOCK No.	DESCRIPTION
7	Y658051	05590	Fuse holder
8	Y741530	05592	Connection
9	Y720032	40598	Handle strap
10	Y714514	40597	Top cover
11	Y657014	40573	Thermal protection device
12	Y750692	40625	Transformer

Helpline: (023) 8049 4344. Sales Desk: (023) 8049 4333. General Enquiries: (023) 8026 6355.

DRAPER TOOLS LTD, HURSLEY ROAD, CHANDLER'S FORD, EASTLEIGH, HANTS. SO53 1YF U.K. internet: www.drapers.co.uk e-mail: sales@drapertools.com