

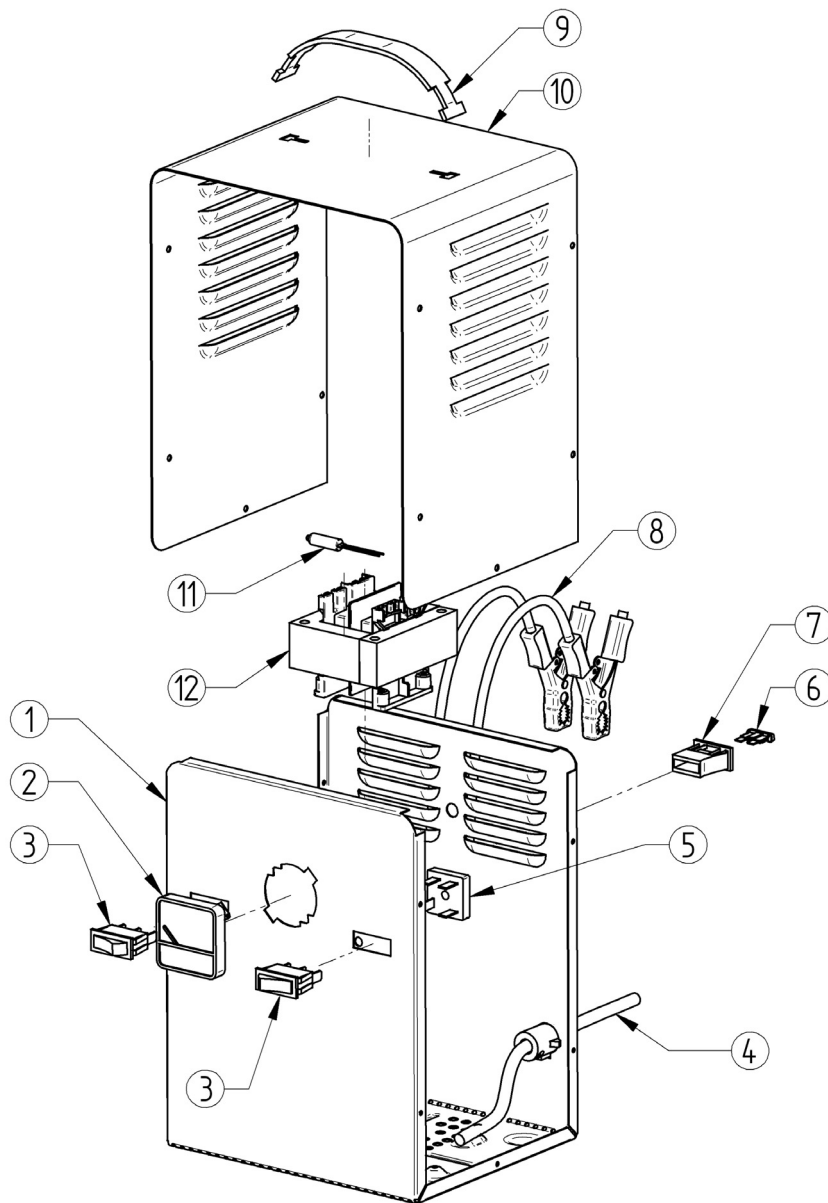


SPARE PARTS LISTING & DRAWING SHEET FOR

Battery Charger

Stock No.05597

Part No.BC14B



KEY No.	PART No.	STOCK No.	DESCRIPTION
1	Y710087	05598	Bottom plate
2	Y652065	05585	Ammeter
3	Y651037	40555	Switch
4	Y741432	05602	Input supply cable
5	Y666053	40603	Rectifier
6	Y010300	05601	Fuse 20A

KEY No.	PART No.	STOCK No.	DESCRIPTION
7	Y658051	05600	Fuse holder
8	Y741549	05603	Connection
9	Y720032	40598	Handle strap
10	Y714514	40597	Top cover
11	Y657008	40605	Thermal protection device
12	Y751933	40602	Transformer

Helpline: (023) 8049 4344. Sales Desk: (023) 8049 4333. General Enquiries: (023) 8026 6355.

DRAPER TOOLS LTD, HURSLEY ROAD, CHANDLER'S FORD, EASTLEIGH, HANTS. SO53 1YF U.K. internet: www.draper.co.uk e-mail: sales@drapertools.com