



SPARE PARTS LISTING SHEET FOR

# 110V 6L Oil Free Air Compressor

Stock No.05634

Part No.DA6/1851

KEY No.	PART No.	STOCK No.	DESCRIPTION
2	C116ZQ0002	43224	Front Housing
3	C116ZQ0005	43225	Crank
4	C116ZQ0004	43226	Shaft
5	C116120006	53166	Casing
8	C033143000	43229	Bearing
9	C034139000	61110	Rotor
10	C009200050	07551	Capacitor
11	C155412513	07552	Stator
12	C033118000	79809	Bearing
13	C116120007	73393	Rear Cover
15	C014002122	52183	Bolt
16	C116120008	53175	Fan
17	C015083000	53176	Circlip

KEY No.	PART No.	STOCK No.	DESCRIPTION
18	C116ZQ0001	43231	Rear housing
19	C116120017	53186	Filtering element
20	C116HP0005	61118	Crank-pin
21	C130203225	61115	Washer
22	C033055000	61116	Bearing
23	C416HP0004	61117	Piston and Con. Rod
24	C008433000	07553	Overload cutout
27	C014001076	04175	Bolt
28	C116120015	53183	Head
30	C216HO0001	07554	Gaskets
31	C116120100	36357	Valve holder plate
33	C116ZQ0003	43227	Cylinder

**Helpline: (023) 8049 4344. Sales Desk: (023) 8049 4333. General Enquiries: (023) 8026 6355.**

DRAPER TOOLS LTD, HURSLEY ROAD, CHANDLER'S FORD, EASTLEIGH, HANTS. SO53 1YF. U.K. internet: [www.drapers.co.uk](http://www.drapers.co.uk) e-mail: [sales@drapertools.com](mailto:sales@drapertools.com)

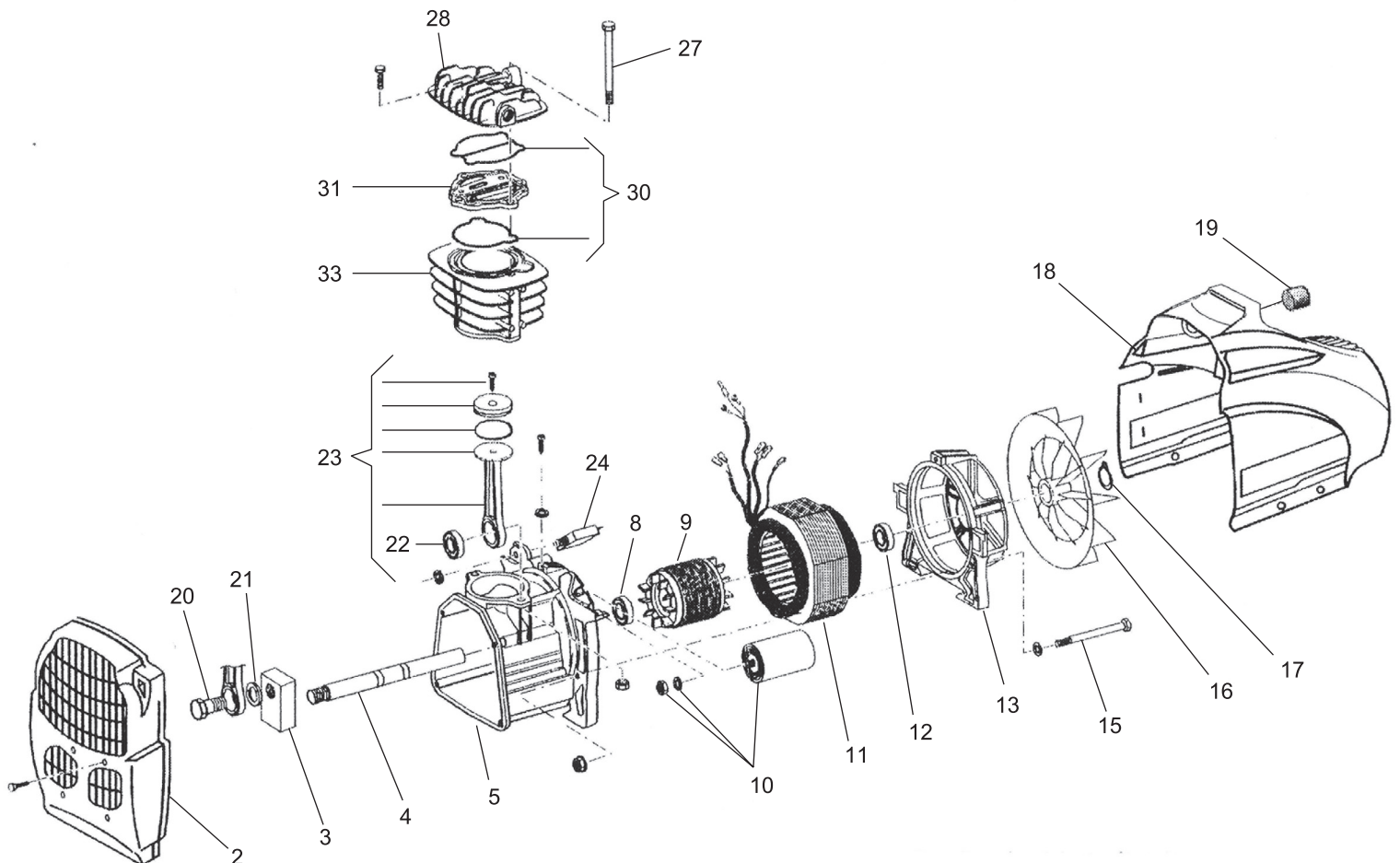


SPARE PARTS DRAWING SHEET FOR

# 110V 6L Oil Free Air Compressor

Stock No.05634

Part No.DA6/1851



**Helpline:** (023) 8049 4344. **Sales Desk:** (023) 8049 4333. **General Enquiries:** (023) 8026 6355.

DRAPER TOOLS LTD, HURSLEY ROAD, CHANDLER'S FORD, EASTLEIGH, HANTS. SO53 1YF. U.K. internet: [www.drapertools.com](http://www.drapertools.com) e-mail: [sales@drapertools.com](mailto:sales@drapertools.com)

RWCH070711

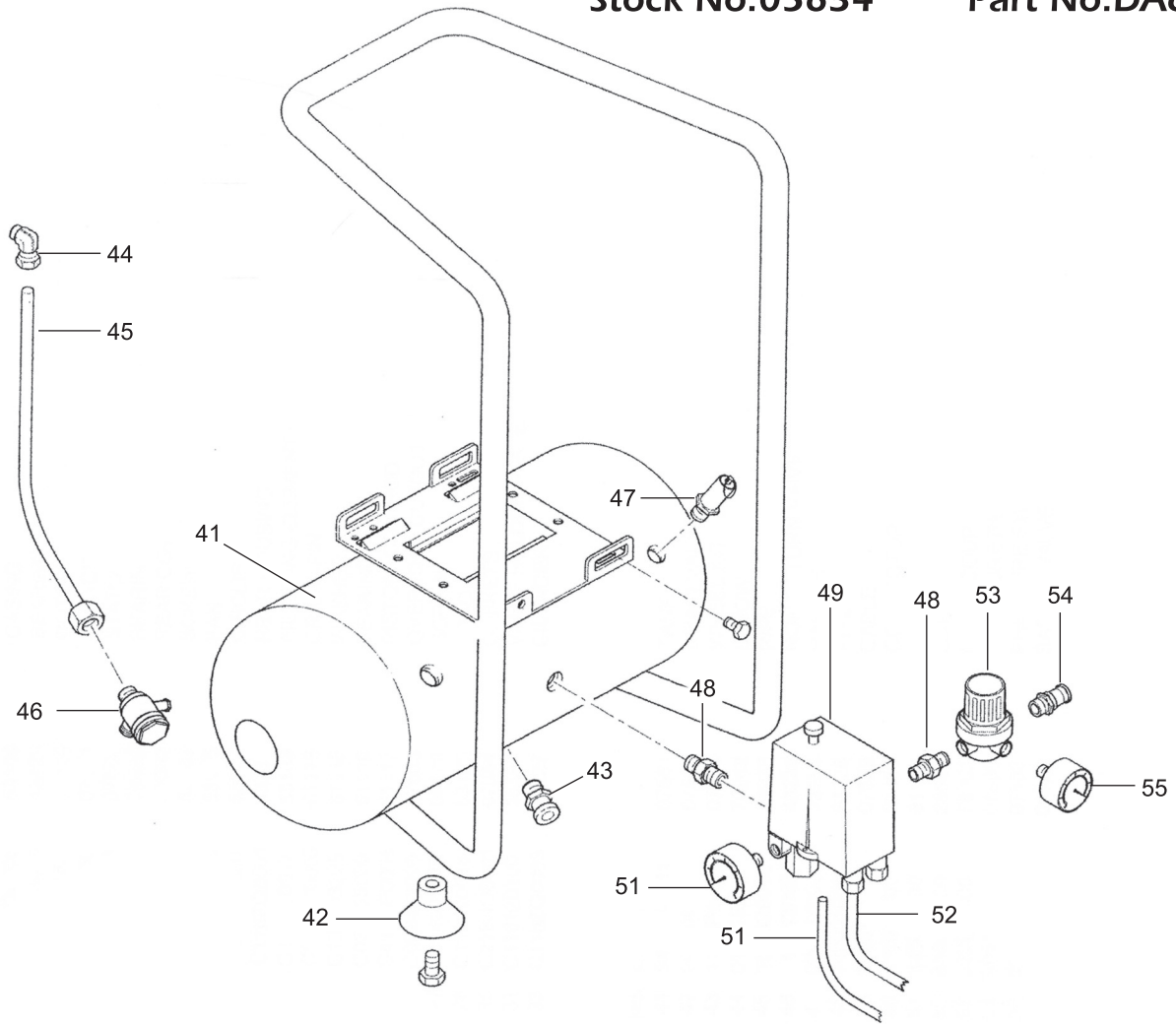


SPARE PARTS LISTING & DRAWING SHEET FOR

# 110V 6L Oil Free Air Compressor

Stock No.05634

Part No.DA6/1851



KEY No.	PART No.	STOCK No.	DESCRIPTION
41	C126HQ0010V	07555	Tank
42	C199968000	30627	Rubber foot
43	C9412020	07556	Drain valve
44	C011015000	78242	Elbow
45	C168HQ0002	07557	Pipe
46	C347043000	43234	Non return valve
47	C047206000	73463	Safety valve
48	C011017000	28350	Connector

KEY No.	PART No.	STOCK No.	DESCRIPTION
49	C9063223	07558	Pressure switch
50	C330004000	61102	Gauge
51	C046001000	34728	Pipe
52	C9065781	07559	Pipe
53	C9051116	07560	Pressure regulator
54	C322030000	78253	Quick coupling
55	C330006000	28580	Gauge

**Helpline:** (023) 8049 4344. **Sales Desk:** (023) 8049 4333. **General Enquiries:** (023) 8026 6355.

DRAPER TOOLS LTD, HURSLEY ROAD, CHANDLER'S FORD, EASTLEIGH, HANTS. SO53 1YF. U.K. internet: [www.drapers.co.uk](http://www.drapers.co.uk) e-mail: [sales@drapertools.com](mailto:sales@drapertools.com)

RWCH070711