

**DRAPER**<sup>®</sup>

SPARE PARTS LISTING SHEET FOR

# 270 Litre Belt Driven Air Compressor

Stock No.05638

Part No.DA270/841

KEY No.	PART No.	STOCK No.	DESCRIPTION
1	C113153007	76121	Base Plate
2	C113153006	76122	Lower Cover Gasket
3	C113141028	76123	Vibration Damper
4	C113153001	76124	Casing
5	C113141022	76125	Front Cover Gasket
6	C033015000	06215	Bearing
7	C010008000	06252	Seal
8	C113141007	76128	Front Cover
9	C013178003	06253	Flywheel
10	C012031000	06213	Oil Level Light
11	C113141006	76131	Rear Cover
12	C012047000	78518	Oil Plug
13	C113141021	76133	Rear Cover Gasket
14	C033027000	73476	Bearing
15	C113178006	76135	Crankshaft
16	C018008000	06254	Feather
17	C413125016	76137	Connecting Rod
18	C213129002	76138	Piston Ring Kit HP
19	C413141029	76139	Complete Piston HP
20	C213129001	76140	Piston Ring Kit LP

KEY No.	PART No.	STOCK No.	DESCRIPTION
21	C413129023	06255	Complete Piston LP
22	C113153005	76142	Casing Gasket
23	C113179001	76143	Cylinder
24	C113153008	76144	Cylinder Gasket
25	C413153004	76145	Valve Holder Plate
26	C113141017	76146	Head Gasket
27	C113178012	76147	Filter Container
28	C113178013	76148	Filter Cartridge
29	C013163018	06256	Filter Support
30	C317071000	76150	Complete Intake Filter
31	C047002000	06256	Safety Valve
32	C113163025	76152	Final Manifold
33	C113178002	76153	Head
34	C047086000	06234	Safety Valve (6 bar)
35	C113178004	76155	Conveyor
36	C113178011	76156	Eyebolt
37	C013141039	06257	Manifold
38	C010070000	06258	O-Ring 117
39	C113141040	76159	Manifold Cover
40	C213153020	76160	Set of Gaskets

**Helpline: (023) 8049 4344. Sales Desk: (023) 8049 4333. General Enquiries: (023) 8026 6355.**DRAPER TOOLS LTD, HURSLEY ROAD, CHANDLER'S FORD, EASTLEIGH, HANTS. SO53 1YF. U.K. internet: [www.draper.co.uk](http://www.draper.co.uk) e-mail: [sales@drapertools.com](mailto:sales@drapertools.com)

RWKC140812

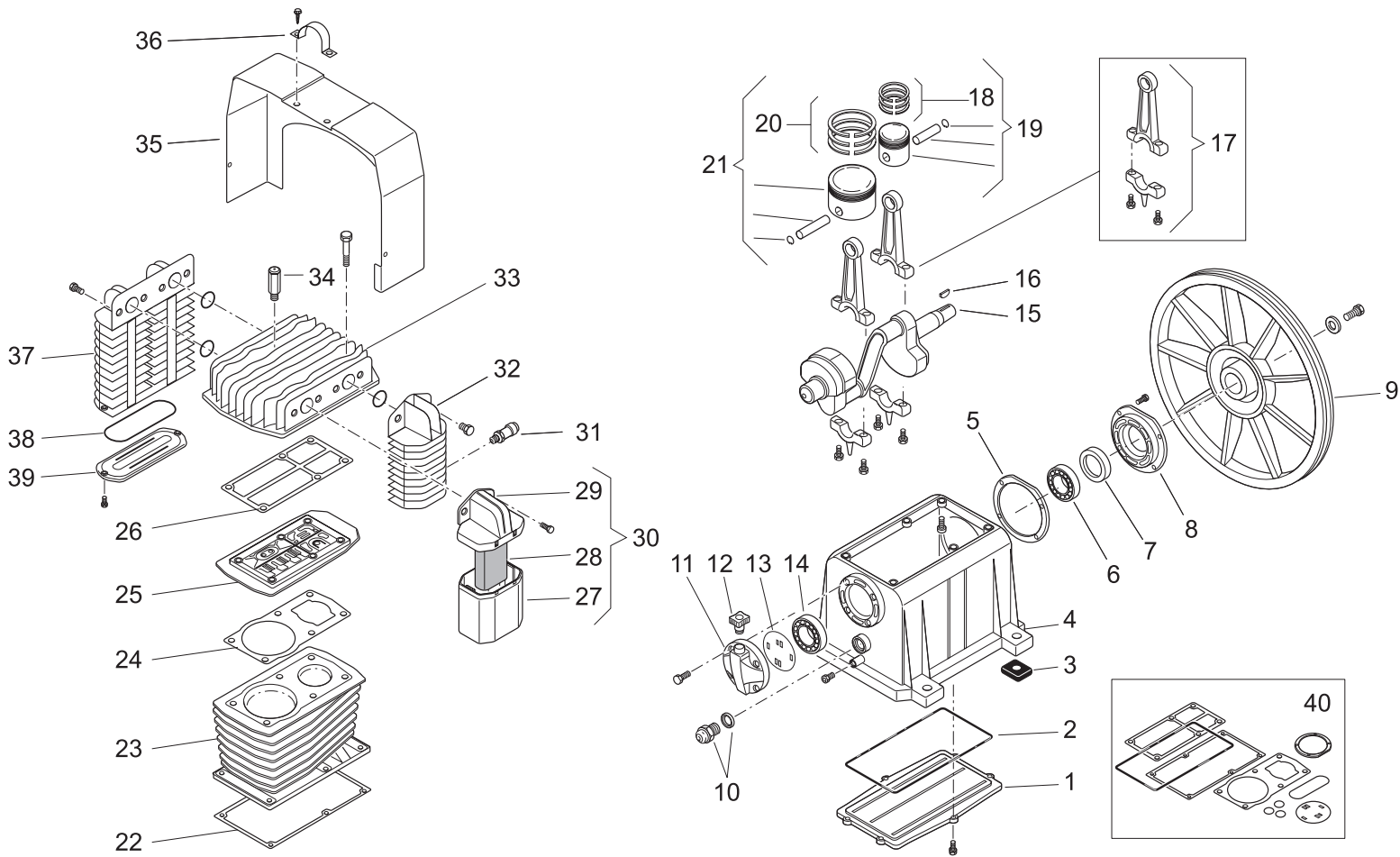


SPARE PARTS DRAWING SHEET FOR

# 270 Litre Belt Driven Air Compressor

Stock No.05638

Part No.DA270/841



**Helpline: (023) 8049 4344. Sales Desk: (023) 8049 4333. General Enquiries: (023) 8026 6355.**

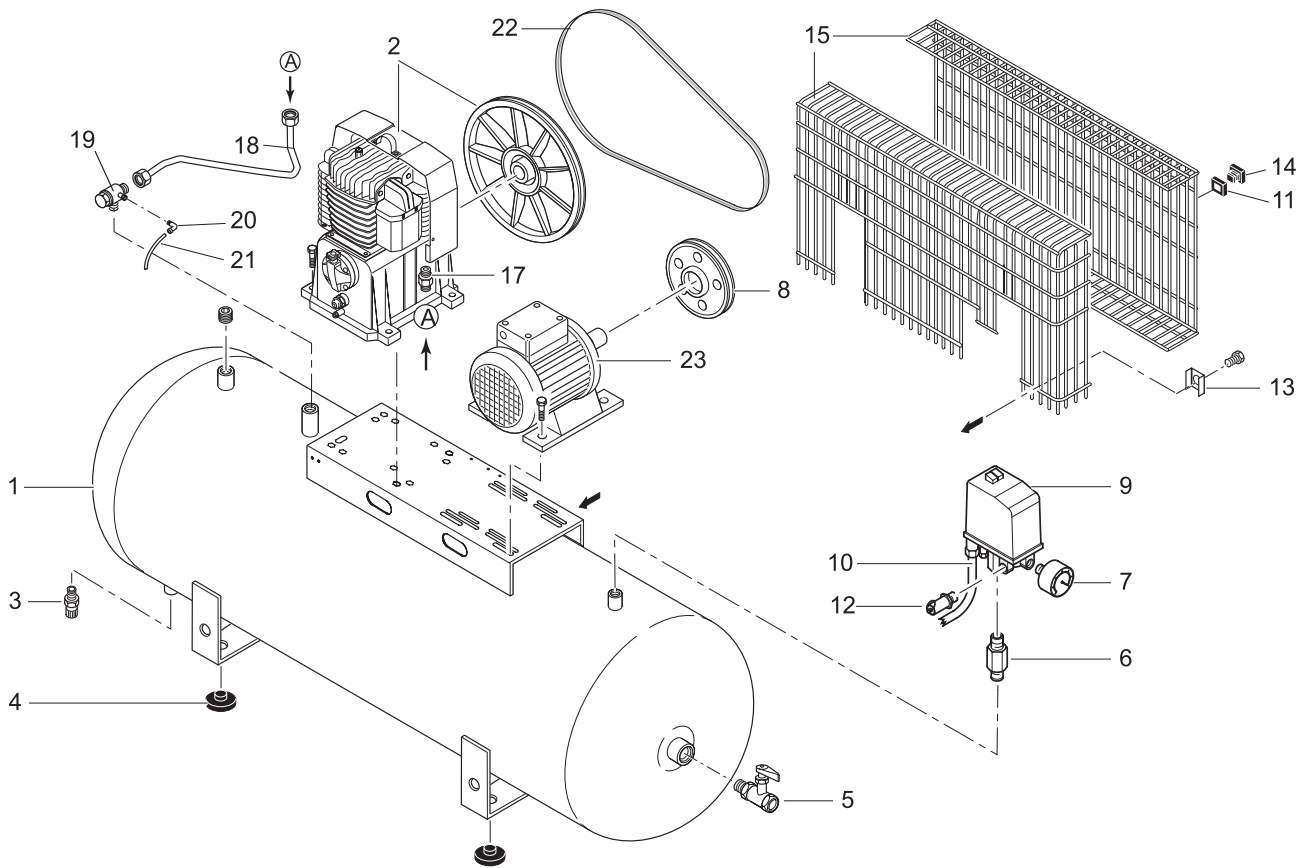
DRAPER TOOLS LTD, HURSLEY ROAD, CHANDLER'S FORD, EASTLEIGH, HANTS. SO53 1YF. U.K. internet: [www.draper.co.uk](http://www.draper.co.uk) e-mail: [sales@drapertools.com](mailto:sales@drapertools.com)

# DRAPER®

## SPARE PARTS LISTING & DRAWING SHEET FOR 270 Litre Belt Driven Air Compressor

Stock No.05638

Part No.DA270/841



KEY No.	PART No.	STOCK No.	DESCRIPTION
1	C181580000V	26487	Tank
2	C5131790200	26508	Pump bk119 (single package)
3	C022026000	28395	Drain cock
4	C199373000	78950	Foot
5	C322050000	78379	Line cock
6	C199110140	52171	Nipple
7	C330007000	53200	Pressure gauge
8	C140177004	76183	Pulley
9	C305219000	26518	Pressure switch
10	C190001020	76170	Power cable
11	C020320000	03670	Guard nut

KEY No.	PART No.	STOCK No.	DESCRIPTION
12	C047210000	28482	Safety valve
13	C014005016	06243	Square washer
14	C020319000	03676	Guard bolt
15	C176BM0011	76175	Belt guard
17	C199499000	26520	Nipple
18	C199140652	26523	Delivery pipe
19	C347138000	06166	Non return valve
20	C011055000	38955	L Fitting
21	C046001000	34728	Pipe
22	C045105000	26524	V-belt
23	C848T000	26525	Motor 7,5 HP

**Helpline: (023) 8049 4344. Sales Desk: (023) 8049 4333. General Enquiries: (023) 8026 6355.**

DRAPER TOOLS LTD, HURSLEY ROAD, CHANDLER'S FORD, EASTLEIGH, HANTS. SO53 1YF. U.K. internet: www.draper.co.uk e-mail: sales@drapertools.com

RWKC140812