



SPARE PARTS LISTING SHEET FOR
**50 Litre V Twin
 Air Compressor**

Stock No.05643

Part No.DA50/400TV

KEY No.	PART No.	STOCK No.	DESCRIPTION
1	C9413354	10672	Tank.
2	C122020000	61132	Air outlet plug.
3	C9048053	10817	Non-return valve.
4	C046001000	34728	Pipe.
5	C9043451	10819	Delivery pipe.
6	C9412102	10827	Elbow.
7	C9063084	10836	Pressure switch.
8	C9051116	07560	Pressure regulator.
9	C9052092	10841	Gauge.
10	C9052013	10844	Gauge.
11	C9412204	10846	Quick coupler.
12	C9050373	10861	Fitting.
13	C9049019	07564	Safety valve.
14	C9065674	10888	Cable and plug.
15	C9050258	10889	Fitting.
16	C9420104	10906	Wheel kit.
50	CN000643	10910	Crank case.
51	C9606128	10911	Cylinder.
52	C016055040	79128	Head.
53	C9606105	10912	Cover.
54	C9411032	10929	Valve plate.
55	C9606129	10930	Conrod.
56	C9411014	10931	Piston.

KEY No.	PART No.	STOCK No.	DESCRIPTION
57	C9411023	10932	Piston pin.
58	C9411067	10935	Circlip.
59	C9411019	10937	Piston plugs.
60	C9411020	10940	Oil segment.
61	C116055060	79115	Coupling.
62	C317050000	79130	Intake filter.
63	C016055037	79114	Manifold.
64	C116055038	19401	Joint collector.
65	C9022001	10943	Oil level.
66	C9411107	10951	Oil filling plug.
67	C9606116	10952	Fan.
68	C9606117	10961	Grille.
69	C9606118	10962	Plastic cowling.
70	C9606107	10963	Gasket.
71	C9606115	10995	Gasket.
72	C9411057	10996	Gasket.
73	C9411058	10997	Gasket.
74	C010078000	19397	O-ring.
75	C9606124	10998	Capacitor.
76	C116055043	79129	Filter.
77	C9416507	11105	Capacitor case upper.
78	C9416508	11106	Capacitor case lower.

Helpline: (023) 8049 4344. Sales Desk: (023) 8049 4333. General Enquiries: (023) 8026 6355.

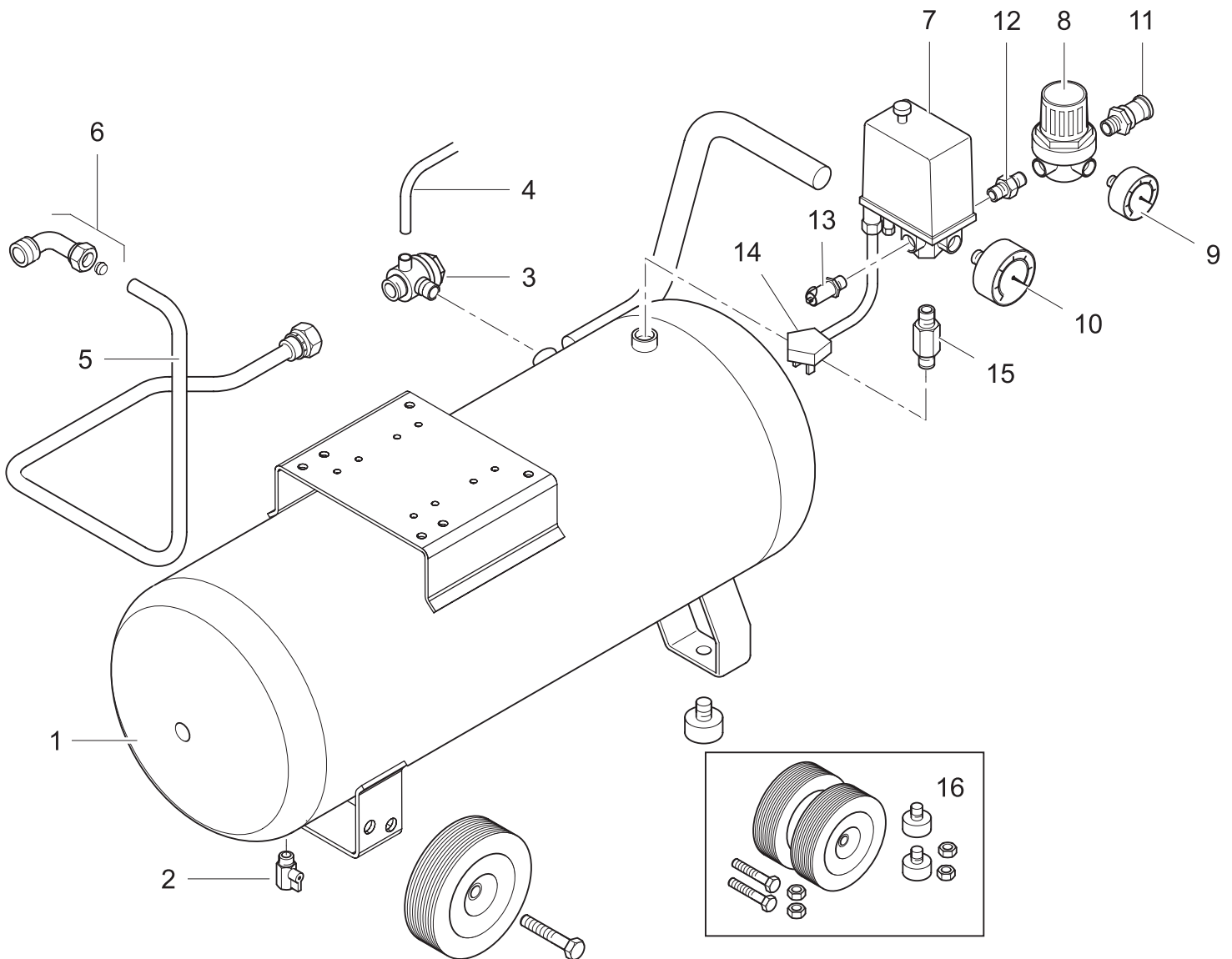
DRAPER TOOLS LTD, HURSLEY ROAD, CHANDLER'S FORD, EASTLEIGH, HANTS. SO53 1YF. U.K. internet: www.draper.co.uk e-mail: sales@drapertools.com



SPARE PARTS DRAWING SHEET FOR
**50 Litre V Twin
Air Compressor**

Stock No.05643

Part No.DA50/400TV



Helpline: (023) 8049 4344. Sales Desk: (023) 8049 4333. General Enquiries: (023) 8026 6355.

DRAPER TOOLS LTD, HURSLEY ROAD, CHANDLER'S FORD, EASTLEIGH, HANTS. SO53 1YF. U.K. internet: www.draper.co.uk e-mail: sales@drapertools.com

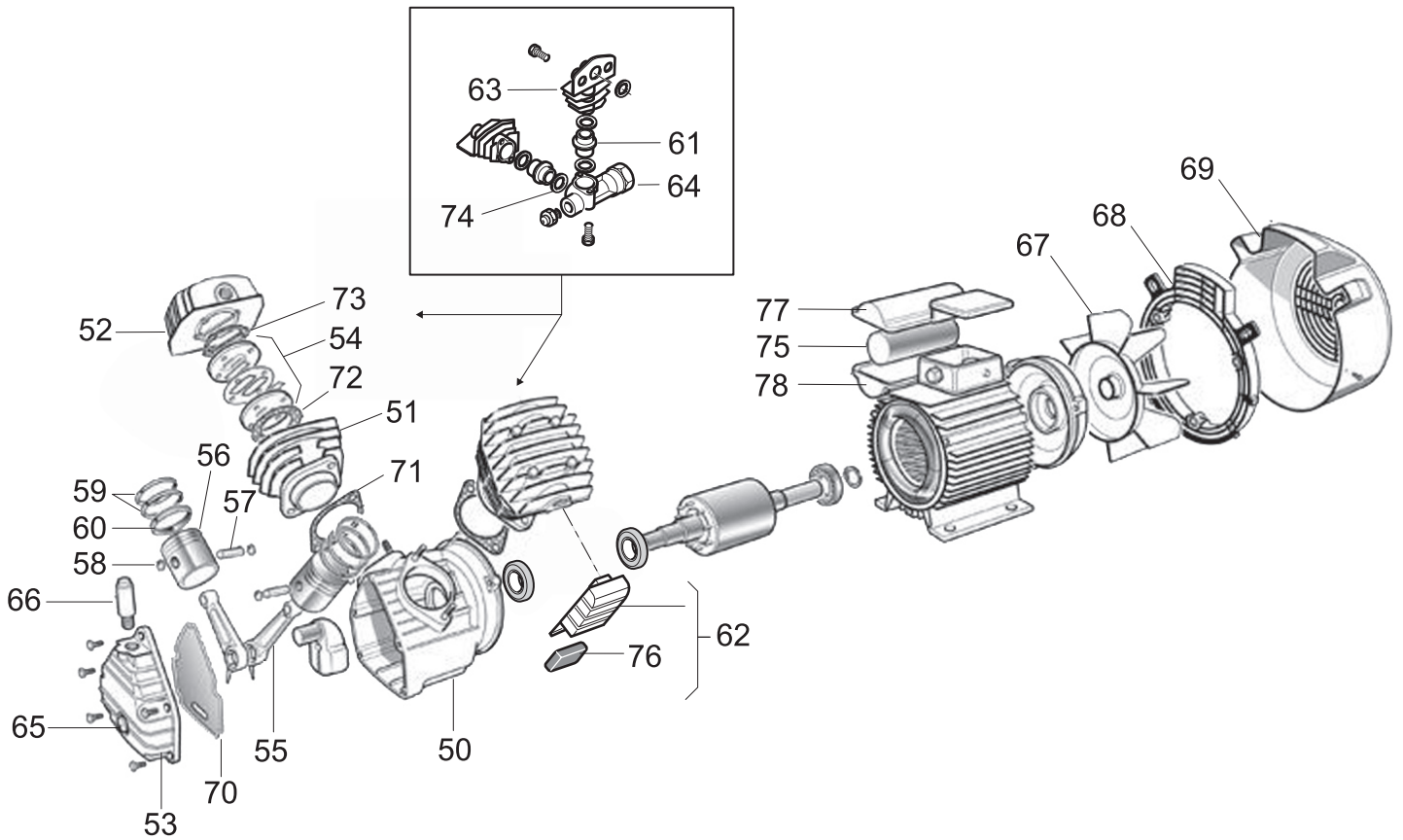
RWCH100811



SPARE PARTS DRAWING SHEET FOR
**50 Litre V Twin
Air Compressor**

Stock No.05643

Part No.DA50/400TV



Helpline: (023) 8049 4344. Sales Desk: (023) 8049 4333. General Enquiries: (023) 8026 6355.

DRAPER TOOLS LTD, HURSLEY ROAD, CHANDLER'S FORD, EASTLEIGH, HANTS. SO53 1YF. U.K. internet: www.draper.co.uk e-mail: sales@drapertools.com

RWCH100811