

DRAPER[®]

2 Drawer Tool Trolley

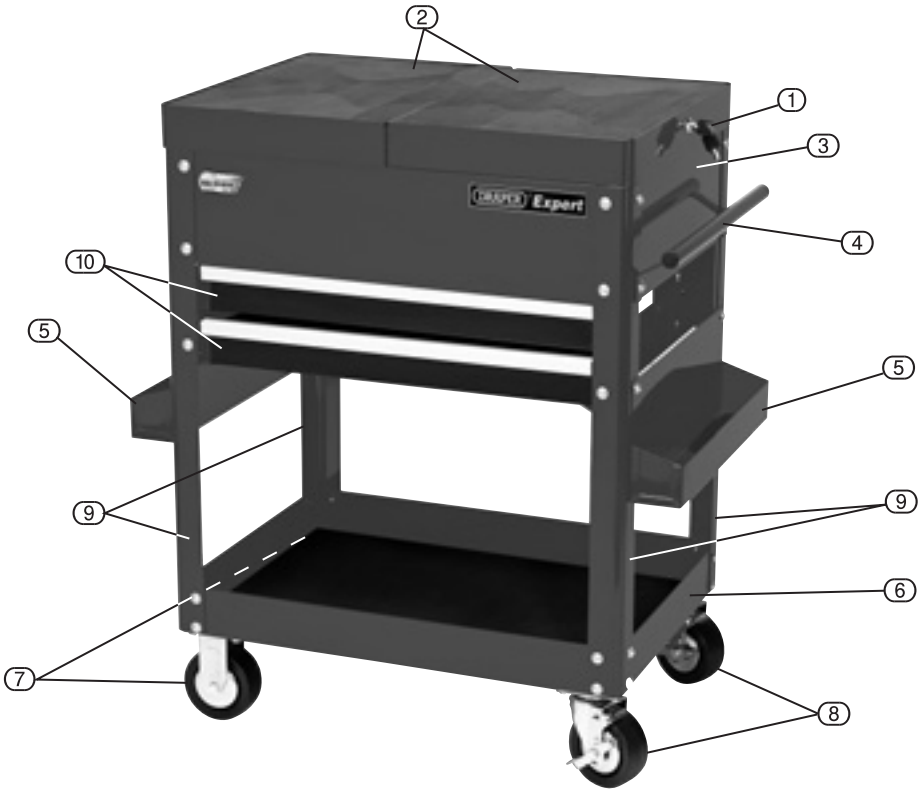
Stock No.05714

Part No.TT2D

INSTRUCTIONS**04/2011****DRAPER**[®]

SAFETY INSTRUCTIONS

- **WEAR SAFETY GLASSES AND GLOVES** when removing strapping and packaging materials. Straps can snap when removed causing personal injury.
- **WEAR SAFETY GLASSES** when replacing or repositioning ball bearing drawer slides.
- **DO NOT** pull this product, only push the product to prevent personal injury.
- Swivel castor and push bar must be placed on same side of the product.
- **USE THE BRAKE** when this product is not being moved. The brake will prevent accidental rolling which may cause damage or personal injury.
- **DO NOT** open more than one drawer at a time as this may cause the product to tip.
- **DO NOT** alter this product by welding attachment or adding electrical equipment. Do not mount this product on a moving object or vehicle.
- **DO NOT** tow this product with moving equipment or vehicles as this may cause product to tip.
- **DO NOT** step in drawers or on top of unit as this may cause the product to tip.
- Take caution when closing the cover and remove hands before cover is closed completely.
- Maximum drawer weight capacity should not exceed 45kg (100lb).
- Maximum product weight (including contents) should not exceed 450kg (1000lb).
- To lock a chest, close drawers before closing lid, making sure all drawers are firmly closed to ensure proper function of locking bars.
- **DO NOT** use the product on uneven surfaces or inclines as this may cause the product to tip or become unstable resulting in possible personal injury or product damage.



① Lock with 2 keys.

② Rubber top mat x2.

③ Top tray compartment.

④ Handle.

⑤ Side storage x2.

⑥ Bottom tray.

⑦ Castors fixed x2.

⑧ Castors swivel+lock x2.

⑨ Legs x4.

⑩ Draws x2

Hardware Sets

⑪ M8 bolt Pan head + R8 Washer.

⑫ M8 bolt Pan head +
2x R8 Washers + M8 Nut.

⑬ M8 bolt Hex. head +
2x R8 Washers + M8 Nut

- **UNPACKING:** After removing the packing material, make sure the product is in perfect condition and that there are no visible damaged parts. If in doubt, do not use the product and contact the dealer from whom it was purchased.

The packaging materials (plastic bags, polystyrene, etc.), must be disposed of in an appropriate refuse collection container. These materials must not be left within the reach of children as they are potential sources of danger.

- TOOLS NEEDED FOR ASSEMBLY:

Cross head screwdriver No.2 or No.3. And a 13mm wrench.

- ADD LEGS TO TOP TRAY (Fig.1):

Carefully lay the top tray (A) on a clean surface up side down and attach the legs (B), using hardware set (11).

- NOTE: Holes in the unit are tapped requiring no nuts for installation.

FIG.1

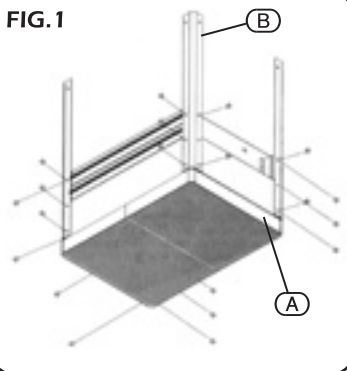
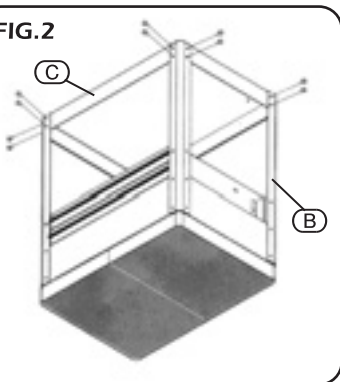


FIG.2



ADD BOTTOM TRAY (Fig.2):

Assemble the bottom tray (C) onto the legs (B), using hardware set (11).

NOTE: Holes in the unit are tapped requiring no nuts for installation.

- ADD CASTORS (Fig.3):

Assemble the castors (D) & (E) onto the bottom tray (B), using hardware set (13).

FIG.3

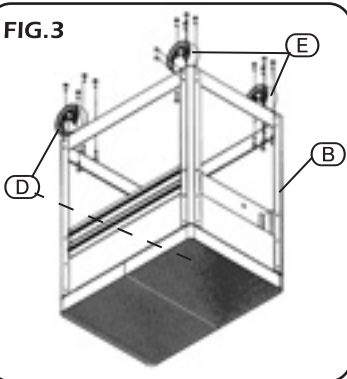
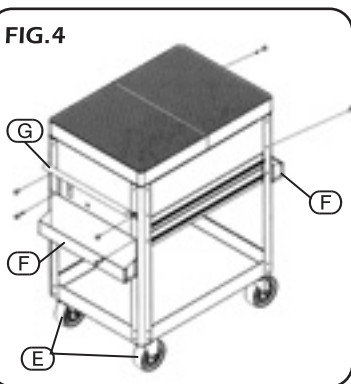


FIG.4



- ADD HANDLE AND SIDE STORAGE (Fig.4):

Assemble the side storage (F) onto both sides, using hardware set (12).

The handle (G) should be assembled on the same side as the locking castors (E), using hardware set (11).

NOTE: Holes in the unit are tapped requiring no nuts for installation.

- **REMOVING AND INSTALLING DRAWERS (Fig.5):**
- Completely empty the drawer.
- Fully extend drawer.
- **LEFT SIDE:** Push the locking tab down and hold.
- **RIGHT SIDE:** Pull the locking tab up and hold.
- Pull out the drawer to remove.
- To reinstall, push the drawer into the slides until the drawer stops.

- **LUBRICATION:**
To ensure smooth operation of the sliders, lubricate periodically with a light grease. Do this at least twice a year.

FIG.5

