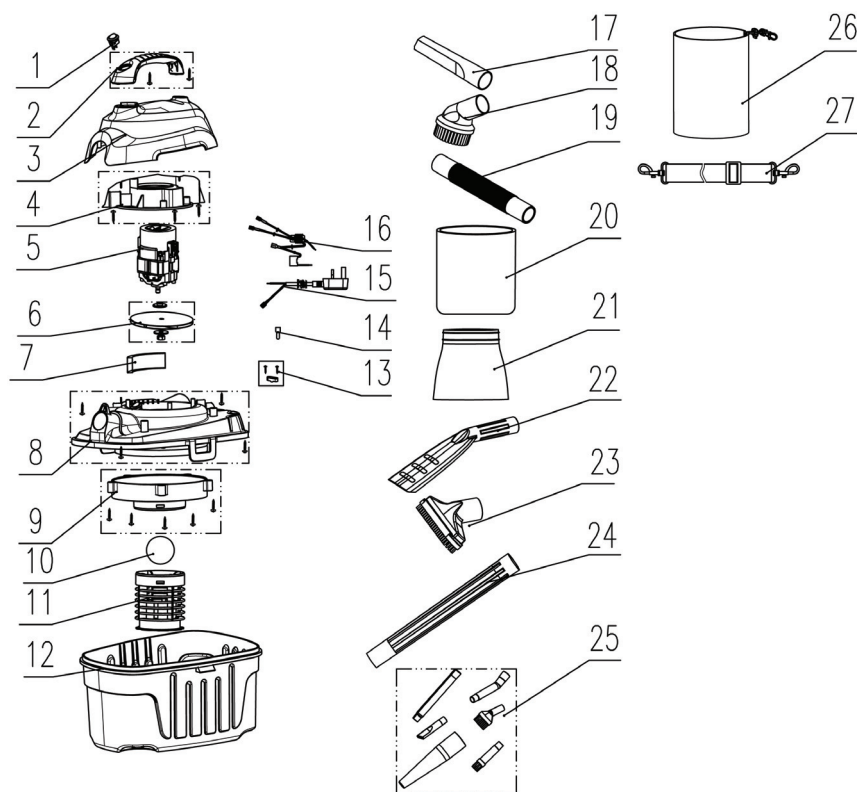




SPARE PARTS LISTING & DRAWING SHEET FOR  
**10L 1000V 230W**  
**Wet & Dry Vacuum Cleaner**

Stock No.06489

Part No.WDV10



KEY No.	PART No.	STOCK No.	DESCRIPTION
1	YWDV10-01	06929	Switch.
2	YWDV10-02	06930	Handle.
3	YWDV10-03	06931	Top cover.
4	YWDV10-04	06932	Baffle.
5	YWDV10-05	06933	Motor assembly.
6	YWDV10-06	06934	Impeller assembly.
7	YWDV10-07	06935	Foam.
8	YWDV10-08	06936	Lid.
9	YWDV10-09	06937	Tray.
10	YWDV10-10	06938	Valve assembly
11	YWDV10-11	06940	Filter cage.
12	YWDV10-12	06941	Tank.
13	YWDV10-13	06942	Cord clamp assembly.
14	YWDV10-14	06943	Connection cap.

KEY No.	PART No.	STOCK No.	DESCRIPTION
15	YWDV10-15	06944	Plug and cable 3.5M (UK).
16	YWDV10-16	06945	Capacitor inductance assembly.
17	AVC86	06946	Crevice tool.
18	AVC87	06948	Round brush.
19	AVC88	06949	Hose 1.5M.
20	AVC89	06950	Foam filter.
21	AVC90	06951	Cloth filter.
22	AVC91	06952	Car nozzle.
23	AVC92	06953	Utility nozzle.
24	AVC93	06954	Plastic extension tube set.
25	AVC94	06955	Keyboard nozzle set.
26	YWDV10-17	06956	net.
27	YWDV10-18	06957	Shoulder strap.

**Helpline: (023) 8049 4344. Sales Desk: (023) 8049 4333. General Enquiries: (023) 8026 6355.**

DRAPER TOOLS LTD, HURSLEY ROAD, CHANDLER'S FORD, EASTLEIGH, HANTS. SO53 1YF. U.K. internet: www.draper.co.uk e-mail: sales@drapertools.com