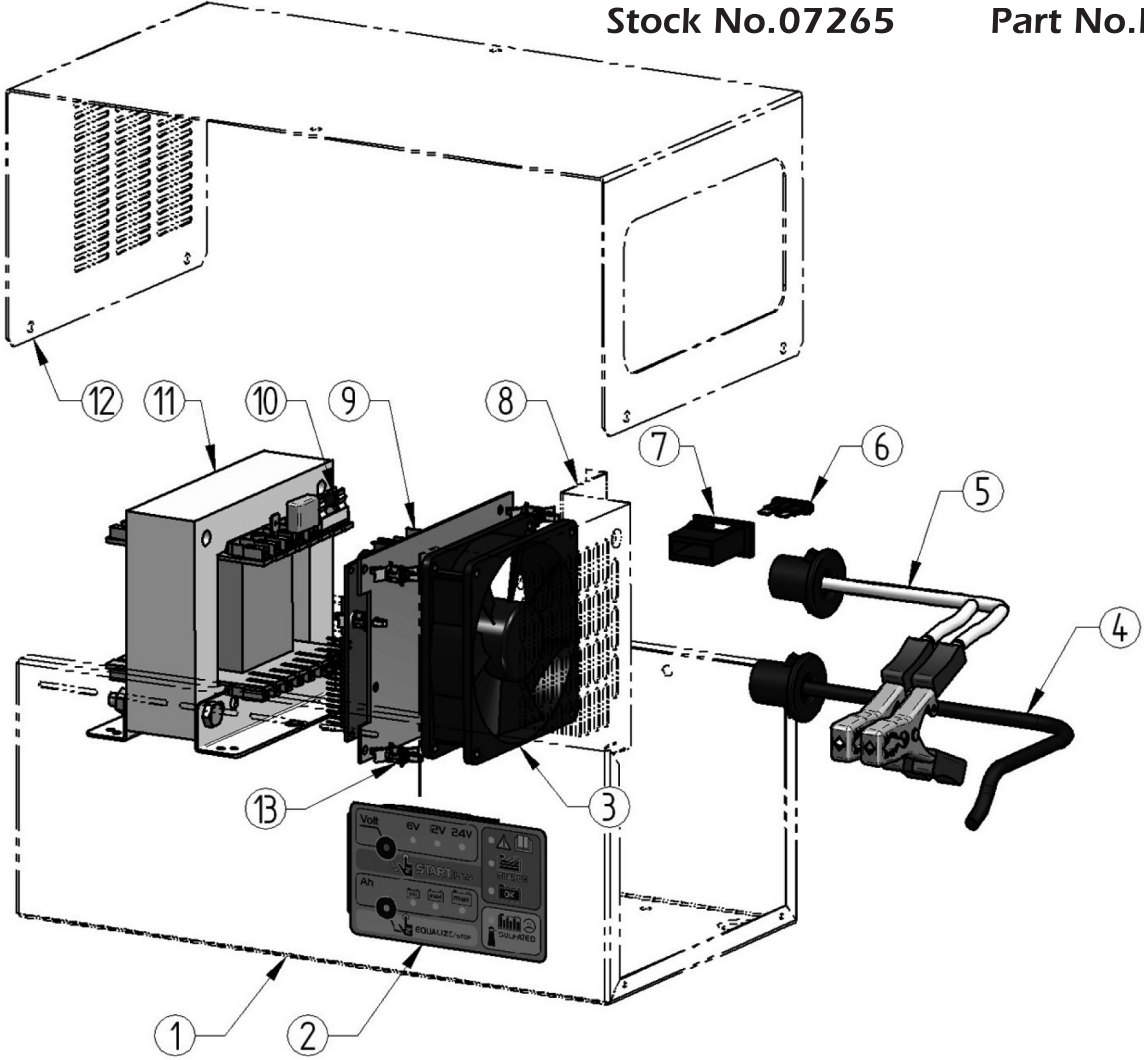




SPARE PARTS LISTING & DRAWING SHEET FOR
**6/12/24 Volt 11 Amp
 Battery Charger**

Stock No.07265

Part No.BC1113D



KEY No.	PART No.	STOCK No.	DESCRIPTION
1	Y-710228	07647	Bottom.
2	Y-760311	07648	Keyboard.
3	Y-673079	07649	Exhaust Fan.
4	Y-741568	07650	Input Supply Cable.
5	Y-741534	07651	Cables and Clamps.
6	Y-010293	07652	Fuse 15Amp.
7	Y-658051	07653	Fuse Holder.

KEY No.	PART No.	STOCK No.	DESCRIPTION
8	Y-714986	07654	Separating Panel.
9	Y-760310	07655	Electronic PC Board.
10	Y-658066	07656	Fuse 2,5AT.
11	Y-751935	07657	Transformer.
12	Y-710229	07658	Top Cover.
13	Y-630093	07659	Spacer.

Helpline: (023) 8049 4344. Sales Desk: (023) 8049 4333. General Enquiries: (023) 8026 6355.

DRAPER TOOLS LTD, HURSLEY ROAD, CHANDLER'S FORD, EASTLEIGH, HANTS. SO53 1YF U.K. internet: www.draper.co.uk e-mail: sales@drapertools.com