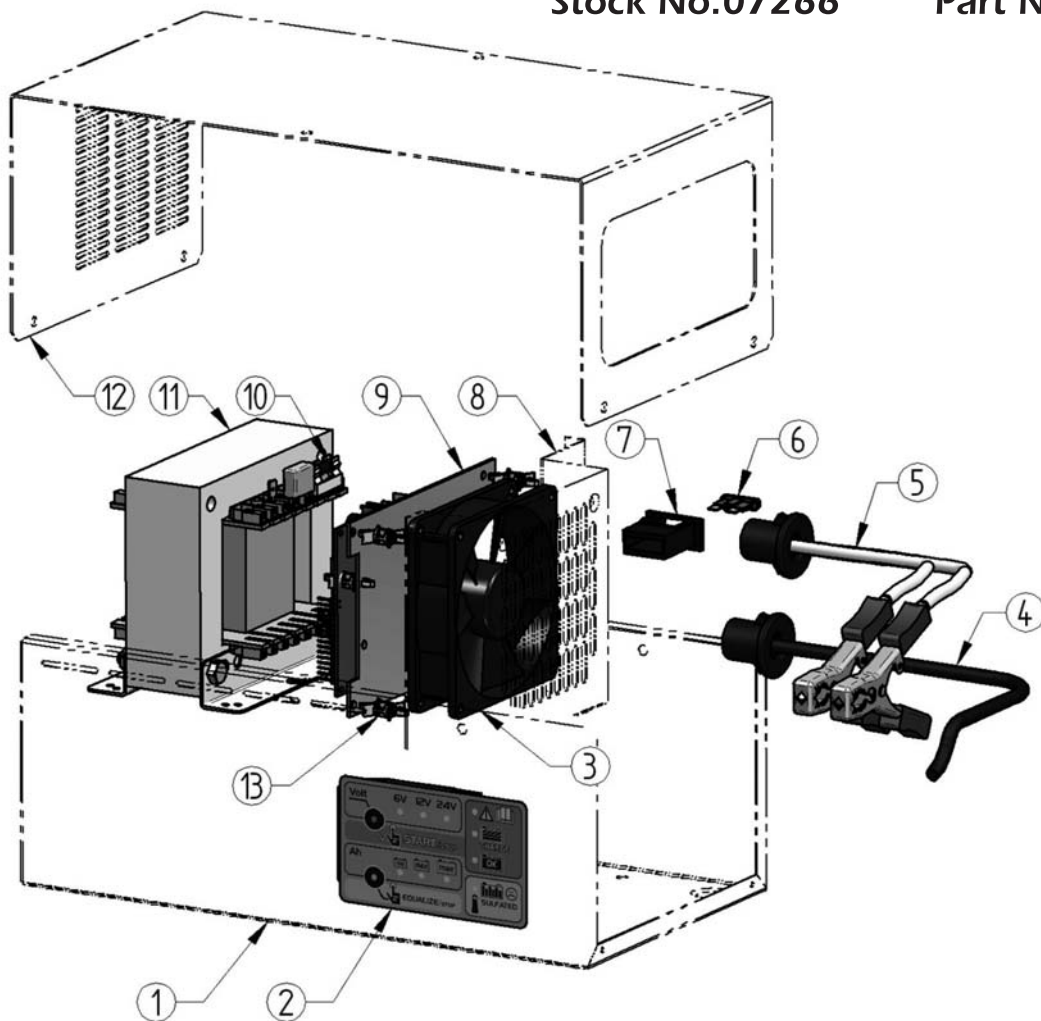


DRAPER®

SPARE PARTS LISTING & DRAWING SHEET FOR 6/12/24 Volt 22 Amp Battery Charger

Stock No.07266

Part No.BC2213D



KEY No.	PART No.	STOCK No.	DESCRIPTION
1	Y-710230	07718	Bottom.
2	Y-760311	07648	Keyboard.
3	Y-673079	07649	Exhaust Fan.
4	Y-741569	07719	Input Supply Cable.
5	Y-741530	07720	Cables and Clamps.
6	Y-010295	07721	Fuse 30Amp.
7	Y-658051	07653	Fuse Holder.

KEY No.	PART No.	STOCK No.	DESCRIPTION
8	Y-714986	07654	Separating Panel.
9	Y-760324	07722	Electronic PC Board.
10	Y-658067	07724	Fuse 4,0AT.
11	Y-751934	07725	Transformer.
12	Y-710231	07726	Top Cover.
13	Y-630093	07659	Spacer.

Helpline: (023) 8049 4344. **Sales Desk:** (023) 8049 4333. **General Enquiries:** (023) 8026 6355.

DRAPER TOOLS LTD, HURSLEY ROAD, CHANDLER'S FORD, EASTLEIGH, HANTS. SO53 1YF. U.K. internet: www.draper.co.uk e-mail: sales@drapertools.com

KCLJ040711