



SPARE PARTS LISTING SHEET FOR

110V & 230V 1400W Power Mixer

Stock Nos.09558 & 09559

Part No.PM1400

KEY No.	PART No.	STOCK No.	DESCRIPTION
1	YPM1400-01	09716	Handle assembly.
2	YPM1400-02	09717	Switch.
3	YPM1400-03	09718	Screw.
4	YPM1400-04	09719	Tube.
5	YPM1400-05	10964	Plate.
6	YPM1400-06	09720	Clamp.
7	YPM1400-07	09721	Screw.
7A	YPM1400-07A	09722	Capacitor.
7B	YPM1400-07B	09723	Inductance.
7C	YPM1400-07C	14155	Inductance.
8	YPM1400-08	09724	Circuitry board.
9	YPM1400-09	09725	Cable.
10	YPM1400-10	09726	Screw.
11	YPM1400-11	09727	Screw.
12	YPM1400-12	09728	Bearing cover.
13	YPM1400-13	09729	Spindle.
14	YPM1400-14	09730	Dust cover.
15	YPM1400-15	09731	Circlip.
16	YPM1400-16	09732	Bearing.
16A	YPM1400-16A	09733	Circlip.
18	YPM1400-18	09734	Key.
19	YPM1400-19	09735	Spindle gear.
19A	YPM1400-19A	09736	Safety ring.
20	YPM1400-20	09737	Bearing.
22	YPM1400-22	09738	Gearbox.
22A	YPM1400-22A	09739	O-ring.
23	YPM1400-23	09740	Nut.
24	YPM1400-24	09741	Bearing.
26	YPM1400-25	09742	Armature assembly 230V.
26B	YPM1400-26B	09743	Armature assembly 110V.
27	YPM1400-27	09744	Bearing.
28	YPM1400-28	09745	Bearing.
29	YPM1400-29	09746	Countershaft.
29A	YPM1400-29A	09747	Key.

KEY No.	PART No.	STOCK No.	DESCRIPTION
30	YPM1400-30	09748	Motor gear.
30A	YPM1400-30A	10965	Bush.
31	YPM1400-31	09749	Bearing.
32	YPM1400-32	09750	Bearing.
33	YPM1400-33	09751	Pinion.
34	YPM1400-34	09752	Key.
35	YPM1400-35	09753	Spindle double gear.
36	YPM1400-36	11801	Pin.
37	YPM1400-37	09754	Needle bearing.
38	YPM1400-38	09755	Pivot.
39	YPM1400-39	09756	Coulisse.
40	YPM1400-40	09757	Pivot.
41	YPM1400-41	09758	Bail.
42	YPM1400-42	09759	Spring.
43	YPM1400-43	09760	Lever
44	YPM1400-44	09761	Screw.
45	YPM1400-45	09762	Shim.
46	YPM1400-46	09763	Screw.
47	YPM1400-47	09764	Washer.
49A	YPM1400-49A	09765	Stator 240V
49B	YPM1400-49B	09766	Stator 110V.
50	YPM1400-50A	09767	Motor box.
51	YPM1400-51	09768	Screw.
52	YPM1400-52B	09769	Carbon brush.
53	YPM1400-53B	09770	Carbon brush holder.
54	YPM1400-54	09771	Brush cap.
55	YPM1400-055	09772	Clamp.
56	YPM1400-56	09773	Screw.
57	YPM1400-57	14157	Soft start.
58	YPM1400-58	09774	Cable (240V).
58B	YPM1400-58B	10902	Cable (110V).
59	YPM1400-59	09775	Cable strain.
60	PM4	27617	H3 left mixing paddle.

Helpline: (023) 8049 4344. Sales Desk: (023) 8049 4333. General Enquiries: (023) 8026 6355.

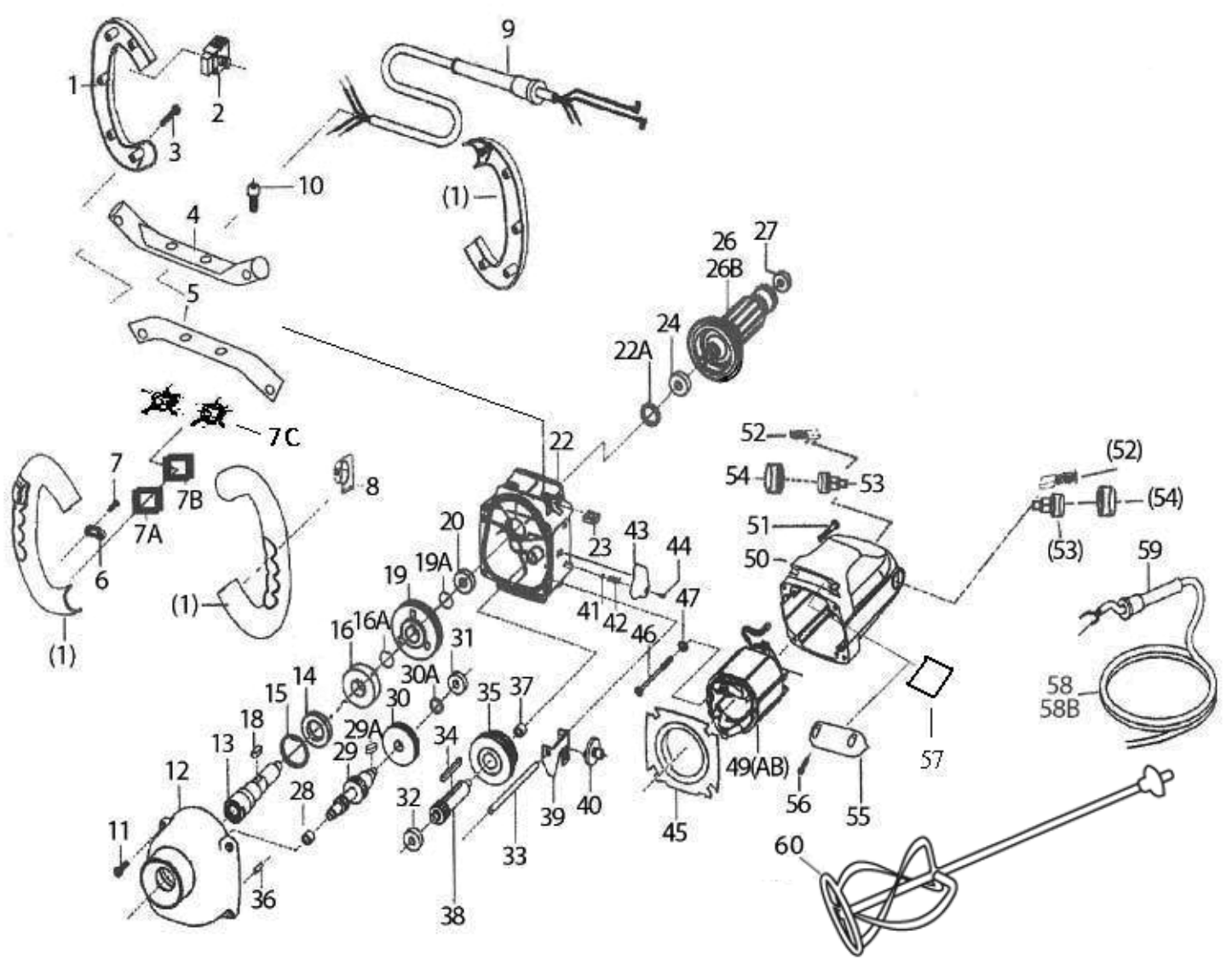
DRAPER TOOLS LTD, HURSLEY ROAD, CHANDLER'S FORD, EASTLEIGH, HANTS. SO53 1YF. U.K. internet: www.draper.co.uk e-mail: sales@drapertools.com



SPARE PARTS DRAWING SHEET FOR

110V & 230V 1400W Power Mixer

Stock Nos.09558 & 09559 Part No.PM1400



Helpline: (023) 8049 4344. Sales Desk: (023) 8049 4333. General Enquiries: (023) 8026 6355.

DRAPER TOOLS LTD, HURSLEY ROAD, CHANDLER'S FORD, EASTLEIGH, HANTS. SO53 1YF. U.K. internet: www.draper.co.uk e-mail: sales@drapertools.com