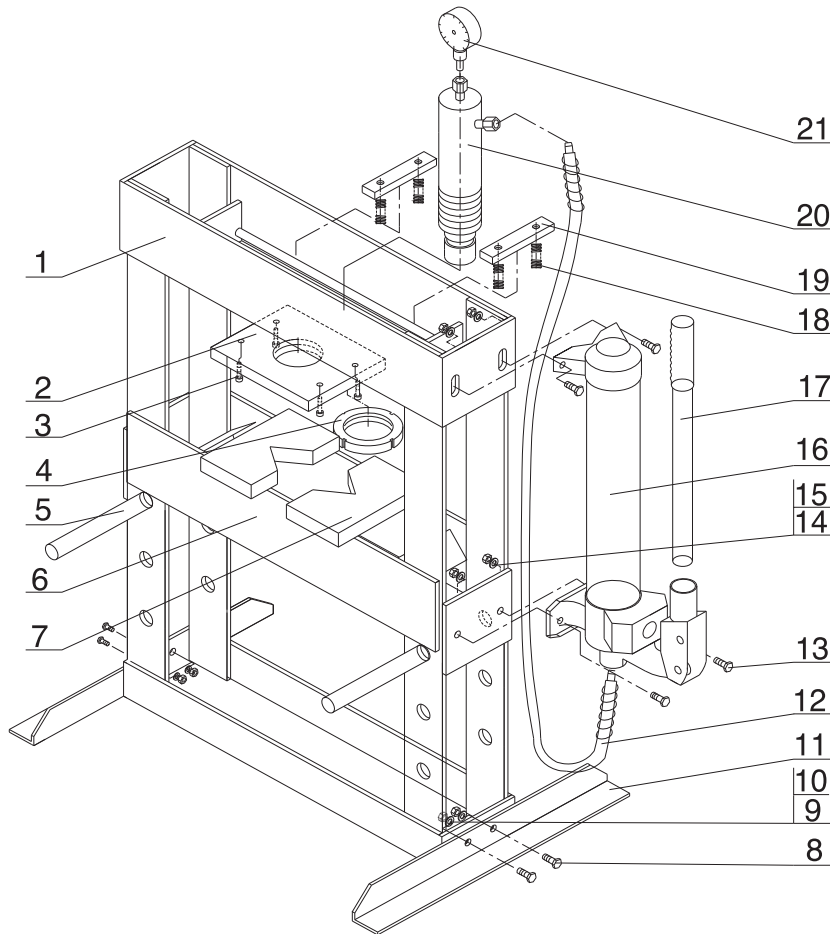


# DRAPER®

PARTS LISTING & DRAWING SHEET FOR

# 10 tonne Hydraulic Bench Press

Stock No.10582 Part No.HBP/10B



KEY No.	PART No.	STOCK No.	DESCRIPTION
1	YHBP/10B-01	20808	Frame
2	YHBP/10B-02	20809	Fixed Plate
3	YHBP/10B-03	20810	Bolt
4	YHBP/10B-04	20811	Locking Ring
5	YHBP/10B-05	20812	Support Pin
6	YHBP/10B-06	20813	Working Table
7	YHBP/10B-07	20814	Plate
8	YHBP/10B-08	20815	Bolt
9	YHBP/10B-09	20816	Washer
10	YHBP/10B-10	20817	Nut
11	YHBP/10B-11	20819	Base Support

KEY No.	PART No.	STOCK No.	DESCRIPTION
12	YHBP/10B-12	20818	Hydraulic Hose
13	YHBP/10B-13	20820	Bolt
14	YHBP/10B-14	20822	Washer
15	YHBP/10B-15	20823	Nut
16	YHBP/10B-16	20825	Pump
17	YHBP/10B-17	20826	Handle
18	YHBP/10B-18	20827	Pressure Spring
19	YHBP/10B-19	20828	Pressure Plate
20	YHBP/10B-20	20829	Ram
21	YHBP/10B-21	20832	Gauge

**Helpline: (023) 8049 4344. Sales Desk: (023) 8049 4333. General Enquiries: (023) 8026 6355.**

DRAPER TOOLS LTD, HURSLEY ROAD, CHANDLER'S FORD, EASTLEIGH, HANTS. SO53 1YF. U.K. internet: [www.draper.co.uk](http://www.draper.co.uk) e-mail: [sales@drapertools.com](mailto:sales@drapertools.com)

DBLJ021111