



SPARE PARTS LISTING SHEET FOR

10 tonne Hydraulic Floor Press

Stock No.10583 Part No.HFP/10B

KEY No.	PART No.	STOCK No.	DESCRIPTION
01	YHFP/10B-01	20837	Frame Upright
02	YHFP/10B-02	20839	Washer
03	YHFP/10B-03	20843	Nut
04	YHFP/10B-04	20844	Support Pin
05	YHFP/10B-05	20848	Washer
06	YHFP/10B-06	20851	Nut
07	YHFP/10B-07	20852	Washer
08	YHFP/10B-08	20856	Nut
09	YHFP/10B-09	20861	Bolt
10	YHFP/10B-10	20863	Support
11	YHFP/10B-11	20864	Base Support
12	YHFP/10B-12	20881	Bolt
13	YHFP/10B-13	20882	Cross Bar
14	YHFP/10B-14	20883	Washer
15	YHFP/10B-15	20887	Nut
16	YHFP/10B-16	20888	Frame Upright
17	YHFP/10B-17	20889	Washer
18	YHFP/10B-18	20893	Nut

KEY No.	PART No.	STOCK No.	DESCRIPTION
19	YHFP/10B-19	20896	Bolt
20	YHFP/10B-20	20957	Bolt
21	YHFP/10B-21	21000	Handle
22	YHFP/10B-22	21014	Fixed Base for Pump
23	YHFP/10B-23	21024	Pump
24	YHFP/10B-24	21168	Working Table
25	YHFP/10B-25	21169	Hydraulic Hose
26	YHFP/10B-26	21214	Plate
27	YHFP/10B-27	21266	Locking Ring
28	YHFP/10B-28	21274	Bolt
29	YHFP/10B-29	21282	Bolt
30	YHFP/10B-30	21290	Fixed Plate
31	YHFP/10B-31	21315	Cross Beam
32	YHFP/10B-32	21323	Pressure Spring
33	YHFP/10B-33	21331	Pressure Plate
34	YHFP/10B-34	21345	Ram
35	YHFP/10B-35	21346	Gauge

Helpline: (023) 8049 4344. Sales Desk: (023) 8049 4333. General Enquiries: (023) 8026 6355.

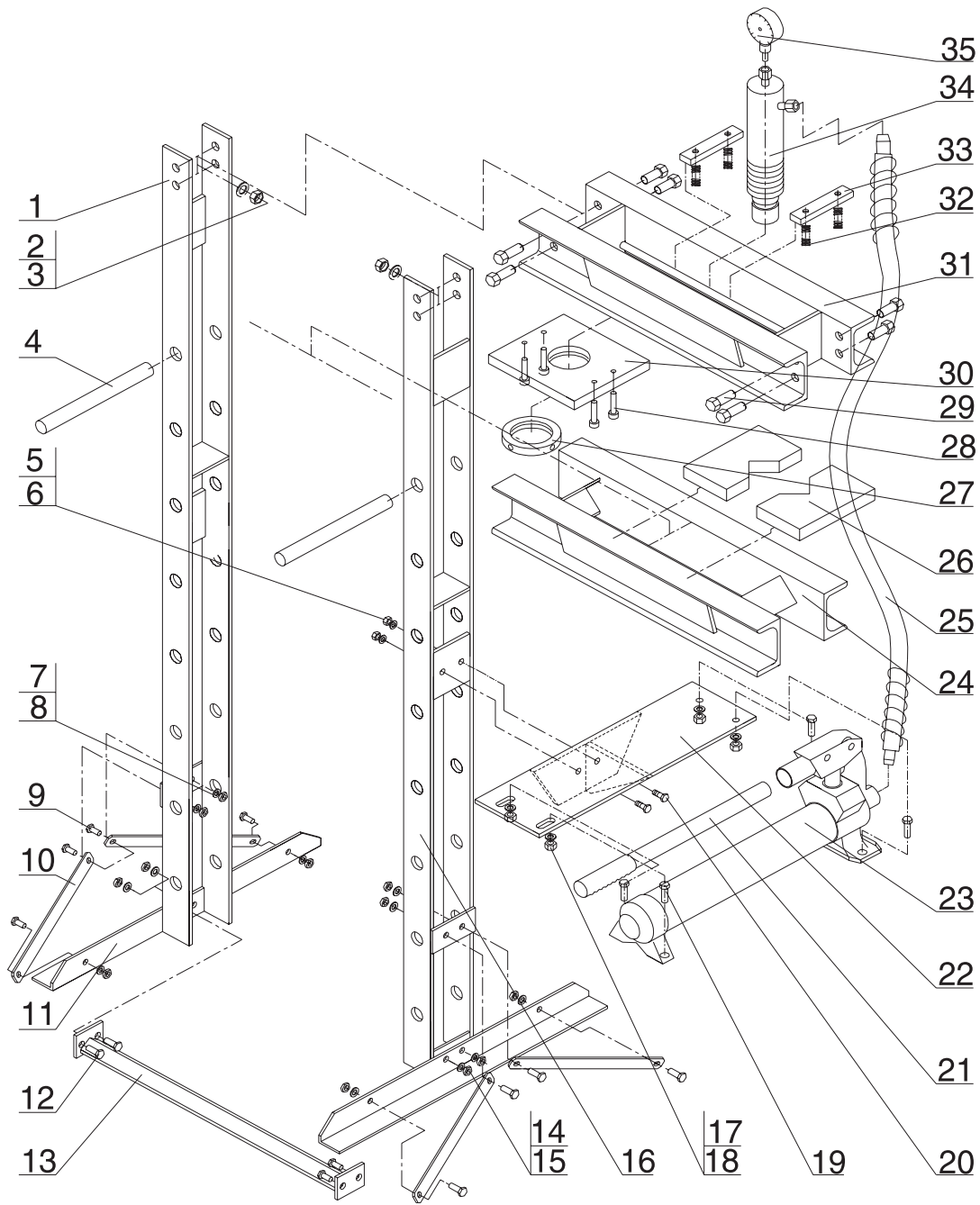
DRAPER TOOLS LTD, HURSLEY ROAD, CHANDLER'S FORD, EASTLEIGH, HANTS. SO53 1YF. U.K. internet: www.draper.co.uk e-mail: sales@drapertools.com



SPARE PARTS DRAWING SHEET FOR

10 tonne Hydraulic Floor Press

Stock No.10583 Part No.HFP/10B



Helpline: (023) 8049 4344. Sales Desk: (023) 8049 4333. General Enquiries: (023) 8026 6355.

DRAPER TOOLS LTD, HURSLEY ROAD, CHANDLER'S FORD, EASTLEIGH, HANTS. SO53 1YF. U.K. internet: www.drapertools.co.uk e-mail: sales@drapertools.com