



SPARE PARTS LISTING SHEET FOR

20 tonne Hydraulic Floor Press

Stock No.10598 Part No.HFP/20B

KEY No.	PART No.	STOCK No.	DESCRIPTION
01	YHFP/20B-01	21354	Frame Upright
02	YHFP/20B-02	21355	Washer
03	YHFP/20B-03	21356	Nut
04	YHFP/20B-04	21357	Bolt
05	YHFP/20B-05	21358	Support Pin
06	YHFP/20B-06	21360	Washer
07	YHFP/20B-07	21362	Nut
08	YHFP/20B-08	21363	Bolt
09	YHFP/20B-09	21364	Support
10	YHFP/20B-10	21365	Cross Bar
11	YHFP/20B-11	21368	Washer
12	YHFP/20B-12	21369	Nut
13	YHFP/20B-13	21370	Bolt
14	YHFP/20B-14	21371	Base Support
15	YHFP/20B-15	21372	Frame Upright

KEY No.	PART No.	STOCK No.	DESCRIPTION
16	YHFP/20B-16	21374	Handle
17	YHFP/20B-17	21375	Pump
18	YHFP/20B-18	21376	Hydraulic Hose
19	YHFP/20B-19	21377	Working Table
20	YHFP/20B-20	21378	Plate
21	YHFP/20B-21	21379	Bolt
22	YHFP/20B-22	21381	Fixed Plate
23	YHFP/20B-23	21384	Bolt
24	YHFP/20B-24	21385	Pressure Spring
25	YHFP/20B-25	21393	Pressure Plate
26	YHFP/20B-26	21397	Ram Guide
27	YHFP/20B-27	21399	Gauge
28	YHFP/20B-28	21403	Ram
29	YHFP/20B-29	21404	Cross Beam
30	YHFP/20B-30	21405	Locking Ring

Helpline: (023) 8049 4344. Sales Desk: (023) 8049 4333. General Enquiries: (023) 8026 6355.

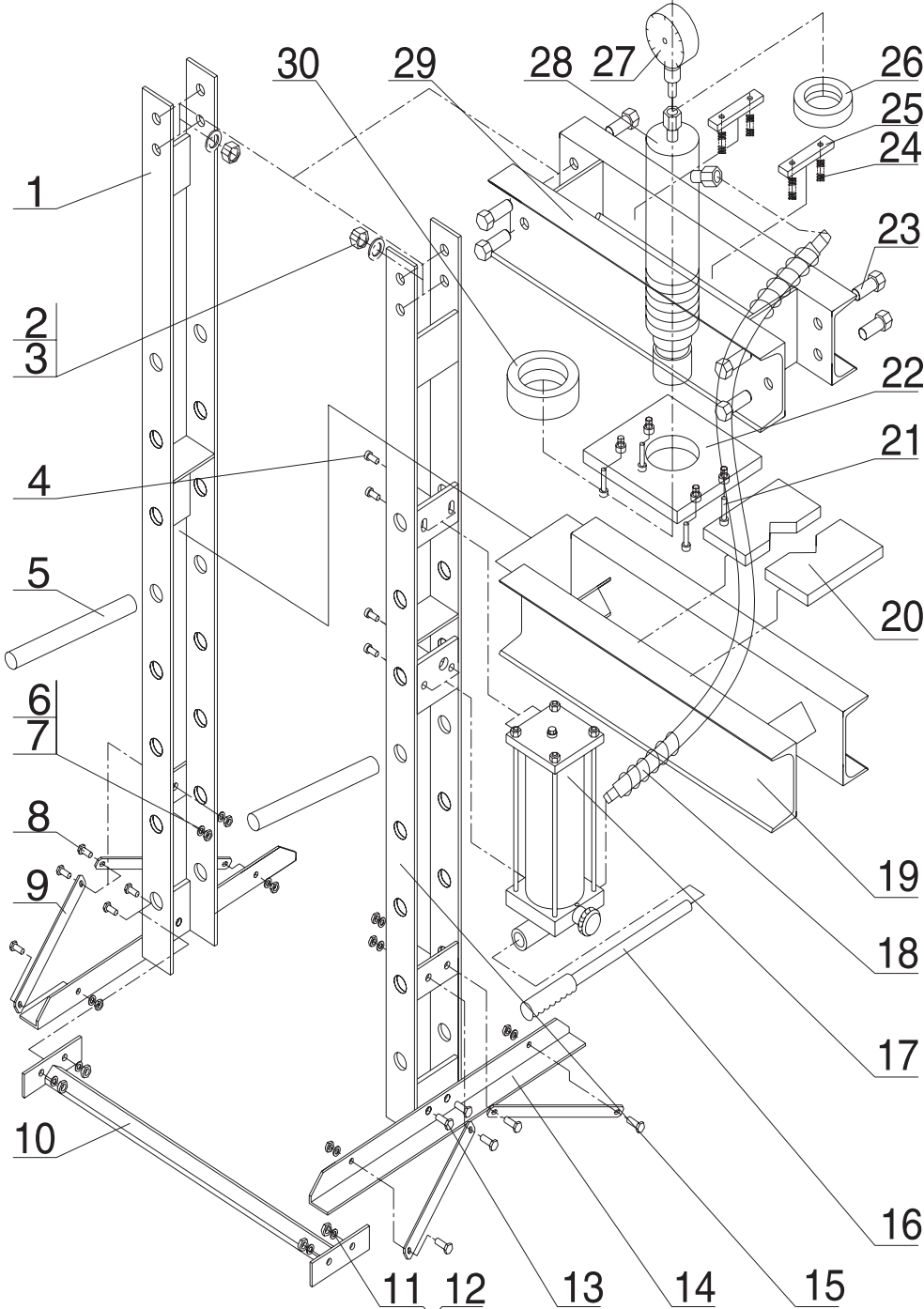
DRAPER TOOLS LTD, HURSLEY ROAD, CHANDLER'S FORD, EASTLEIGH, HANTS. SO53 1YF. U.K. internet: www.draper.co.uk e-mail: sales@drapertools.com



SPARE PARTS DRAWING SHEET FOR

20 tonne Hydraulic Floor Press

Stock No.10598 Part No.HFP/20B



Helpline: (023) 8049 4344. **Sales Desk:** (023) 8049 4333. **General Enquiries:** (023) 8026 6355.

DRAPER TOOLS LTD, HURSLEY ROAD, CHANDLER'S FORD, EASTLEIGH, HANTS. SO53 1YF. U.K. internet: www.draper.co.uk e-mail: sales@drapertools.com