



SPARE PARTS LISTING SHEET FOR

30 tonne Hydraulic Floor Press

Stock No.10599 Part No.HFP/30B

KEY No.	PART No.	STOCK No.	DESCRIPTION
01	YHFP/30B-01	21406	Frame Upright
02	YHFP/30B-02	21407	Washer
03	YHFP/30B-03	21408	Nut
04	YHFP/30B-04	21409	Bolt
05	YHFP/30B-05	21411	Support Pin
06	YHFP/30B-06	21412	Washer
07	YHFP/30B-07	21413	Nut
08	YHFP/30B-08	21414	Bolt
09	YHFP/30B-09	21421	Support
10	YHFP/30B-10	21422	Base Support
11	YHFP/30B-11	21423	Crossbar
12	YHFP/30B-12	21425	Washer
13	YHFP/30B-13	21426	Nut
14	YHFP/30B-14	21427	Bolt
15	YHFP/30B-15	21428	Frame Upright

KEY No.	PART No.	STOCK No.	DESCRIPTION
16	YHFP/30B-16	21429	Handle
17	YHFP/30B-17	21430	Pump
18	YHFP/30B-18	21431	Hydraulic Hose
19	YHFP/30B-19	21432	Working Table
20	YHFP/30B-20	21433	Plate
21	YHFP/30B-21	21435	Ram Guide
22	YHFP/30B-22	21436	Bolt
23	YHFP/30B-23	21449	Fixed Plate
24	YHFP/30B-24	21451	Bolt
25	YHFP/30B-25	21457	Cross Beam
26	YHFP/30B-26	21459	Pressure Spring
27	YHFP/30B-27	21465	Pressure Plate
28	YHFP/30B-28	21466	Locking Ring
29	YHFP/30B-29	21467	Gauge
30	YHFP/30B-30	21468	Ram

Helpline: (023) 8049 4344. Sales Desk: (023) 8049 4333. General Enquiries: (023) 8026 6355.

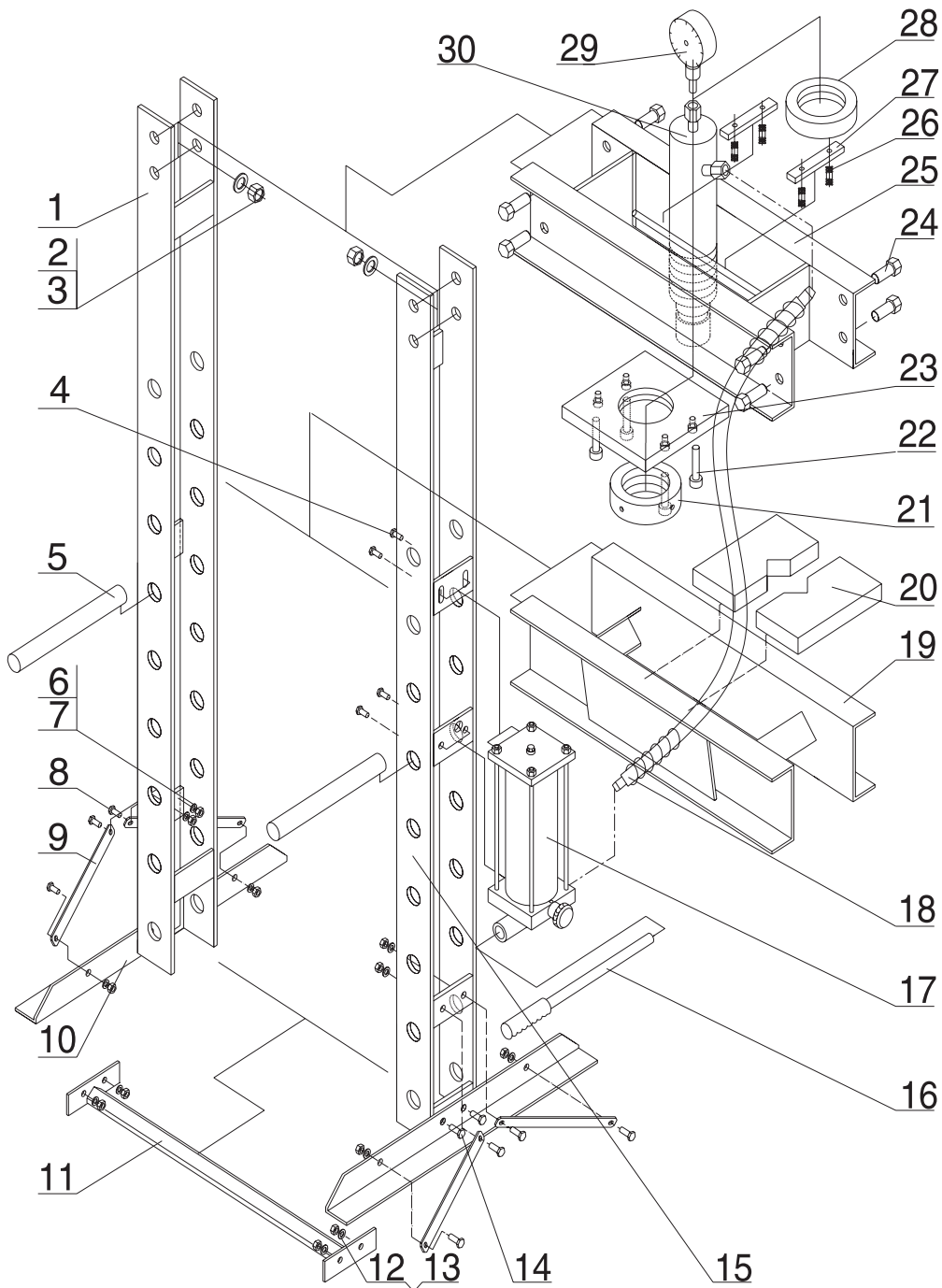
DRAPER TOOLS LTD, HURSLEY ROAD, CHANDLER'S FORD, EASTLEIGH, HANTS. SO53 1YF. U.K. internet: www.draper.co.uk e-mail: sales@drapertools.com



SPARE PARTS DRAWING SHEET FOR

30 tonne Hydraulic Floor Press

Stock No.10599 Part No.HFP/30B



Helpline: (023) 8049 4344. Sales Desk: (023) 8049 4333. General Enquiries: (023) 8026 6355.

DRAPER TOOLS LTD, HURSLEY ROAD, CHANDLER'S FORD, EASTLEIGH, HANTS. SO53 1YF. U.K. internet: www.drapertools.co.uk e-mail: sales@drapertools.com