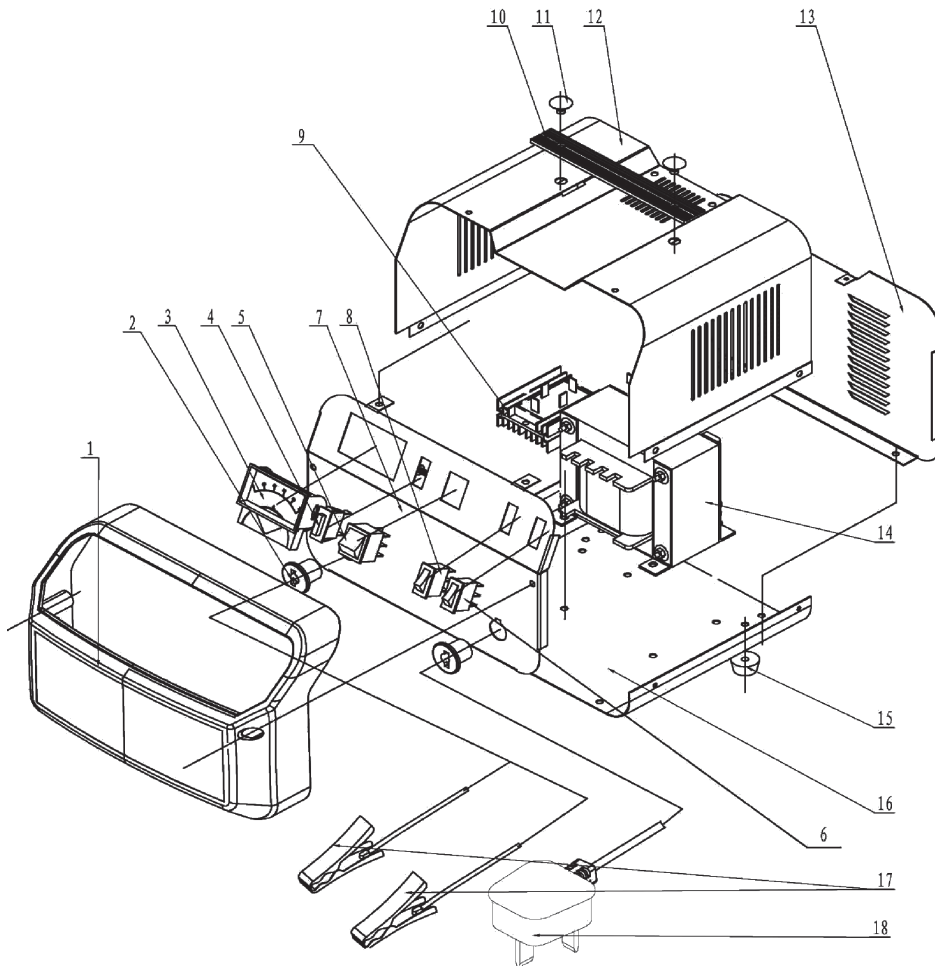




SPARE PARTS LISTING & DRAWING SHEET FOR

12/24V 23 Amp Battery Charger

Stock No.11964 Part No.BCD60



KEY No.	PART No.	STOCK No.	DESCRIPTION
1	MAX-50-1	12139	Case.
2	MAX-50-2	12140	Pull off connector.
3	MAX-50-3	12141	Ampere meter.
4	MAX-50-4	12142	Output fuse base.
5	MAX-50-5	12144	Switch.
6	MAX-50-19	12158	On/off switch.
7	MAX-50-7	12146	Front panel.
8	MAX-50-8	12147	Switch.
9	MAX-50-9	12148	Rectifier bridge.

KEY No.	PART No.	STOCK No.	DESCRIPTION
10	MAX-50-10	12149	Handle belt.
11	MAX-50-11	12150	Handle buckle.
12	MAX-50-12	12151	Top cover.
13	MAX-50-13	12152	Back panel.
14	MAX-50-14	12153	Transformer.
15	MAX-50-15	12154	Base foot.
16	MAX-50-16	12155	Base board.
17	MAX-50-17	12156	Cable clamp.
18	MAX-50-18	12157	Plug & cable.

Helpline: (023) 8049 4344. Sales Desk: (023) 8049 4333. General Enquiries: (023) 8026 6355.

DRAPER TOOLS LTD, HURSLEY ROAD, CHANDLER'S FORD, EASTLEIGH, HANTS. SO53 1YF U.K. internet: www.draper.co.uk e-mail: sales@drapertools.com