

**DRAPER**<sup>®</sup>

**STORMFORCE**

INSTRUCTIONS FOR  
**12-25mm  
Air Stapler**

**Stock No.14608 Part No.SFASK1025**

**IMPORTANT:** PLEASE READ THESE INSTRUCTIONS CAREFULLY TO ENSURE THE SAFE AND EFFECTIVE USE OF THIS PRODUCT.



CE

**DRAPER**<sup>®</sup>

**GENERAL INFORMATION**

These instructions accompanying the product are the original instructions. This document is part of the product, keep it for the life of the product passing it on to any subsequent holder of the product. Read all these instructions before assembling, operating or maintaining this product.

This manual has been compiled by Draper Tools describing the purpose for which the product has been designed, and contains all the necessary information to ensure its correct and safe use. By following all the general safety instructions contained in this manual, it will ensure both product and operator safety, together with longer life of the product itself.

All photographs and drawings in this manual are supplied by Draper Tools to help illustrate the operation of the product.

Whilst every effort has been made to ensure the accuracy of information contained in this manual, the Draper Tools policy of continuous improvement determines the right to make modifications without prior warning.

# 1. TITLE PAGE

---

## **1.1 INTRODUCTION:**

USER MANUAL FOR:

### **12-25mm AIR STAPLER**

Stock no. 14608

Part no. SFASK1025

## **1.2 REVISIONS:**

---

Date first published May 2016

---

---

---

---

As our user manuals are continually updated, users should make sure that they use the very latest version.

Downloads are available from: <http://www.drapertools.com/manuals>

DRAPER TOOLS LIMITED

HURSLEY ROAD

CHANDLER'S FORD

EASTLEIGH

HAMPSHIRE

SO53 1YF

U.K.

WEBSITE: [drapertools.com](http://drapertools.com)

PRODUCT HELPLINE: +44 (0) 23 8049 4344

GENERAL FAX: +44 (0) 23 8026 0784

## **1.3 UNDERSTANDING THIS MANUALS SAFETY CONTENT:**

**WARNING!** Information that draws attention to the risk of injury or death.

**CAUTION!** Information that draws attention to the risk of damage to the product or surroundings.

## **1.4 COPYRIGHT © NOTICE:**

Copyright © Draper Tools Limited.

Permission is granted to reproduce this publication for personal & educational use only. Commercial copying, redistribution, hiring or lending is prohibited.

No part of this publication may be stored in a retrieval system or transmitted in any other form or means without written permission from Draper Tools Limited.

In all cases this copyright notice must remain intact.

---

## 2. CONTENTS

---

### 2.1 CONTENTS

	<b>PAGE CONTENT</b>	<b>PAGE</b>
1	TITLE PAGE	
	1.1 INTRODUCTION .....	2
	1.2 REVISION HISTORY .....	2
	1.3 UNDERSTANDING THIS MANUAL .....	2
	1.4 COPYRIGHT NOTICE .....	2
2	CONTENTS	
	2.1 CONTENTS .....	3
3	GUARANTEE	
	3.1 GUARANTEE .....	4
4	INTRODUCTION	
	4.1 SCOPE .....	5
	4.2 SPECIFICATION.....	5
5.	HEALTH & SAFETY INFORMATION	
	5.1 GENERAL SAFETY INSTRUCTIONS FOR POWER TOOL USE .....	6-7
	5.2 ADDITIONAL SAFETY INSTRUCTIONS FOR AIR STAPLER/NAILER.....	8
	5.3 RESIDUAL RISK.....	9
6.	TECHNICAL DESCRIPTION	
	6.1 IDENTIFICATION .....	10
7.	UNPACKING & CHECKING	
	7.1 PACKAGING.....	11
	7.2 WHAT'S IN THE BOX?.....	11
8.	AIR SUPPLY	
	8.1 AIR TOOL OIL SPECIFICATION.....	12
	8.2 RECOMMENDED AIR SUPPLY SET UP .....	12
9.	ASSEMBLY	
	9.1 CONNECTION TO THE AIR SUPPLY .....	13
10.	OPERATION AND USE	
	10.1 LOADING THE STAPLER.....	14
	10.2 SAFETY LATCH.....	15
	10.3 CLEARING A JAM.....	16
11.	MAINTENANCE	
	11.1 EVERY-DAY MAINTENANCE CHECKS .....	17
	11.2 AFTER USE MAINTENANCE CHECKS.....	17
12.	OPTIONAL ACCESSORIES .....	18
13.	TROUBLESHOOTING	
	13.1 TROUBLESHOOTING GUIDE .....	19
14.	DISPOSAL	
	14.1 DISPOSAL .....	20
15.	EXPLANATION OF SYMBOLS .....	21
	DECLARATION OF CONFORMITY .....	ENCLOSED

## 3. GUARANTEE

---

### 3.1 GUARANTEE

Draper tools have been carefully tested and inspected before shipment and are guaranteed to be free from defective materials and workmanship.

Should the tool develop a fault, please return the complete tool to your nearest distributor or contact Draper Tools Limited, Chandler's Ford, Eastleigh, Hampshire, SO53 1YF. England. Telephone Sales Desk: (023) 8049 4333 or Product Helpline (023) 8049 4344.

A proof of purchase must be provided with the tool.

If upon inspection it is found that the fault occurring is due to defective materials or workmanship, repairs will be carried out free of charge. This guarantee period covering parts/labour is 6 months from the date of purchase except where tools are hired out when the guarantee period is 90 days from the date of purchase. This guarantee does not apply to normal wear and tear, nor does it cover any damage caused by misuse, careless or unsafe handling, alterations, accidents, or repairs attempted or made by any personnel other than the authorised Draper warranty repair agent.

Note: If the tool is found not to be within the terms of warranty, repairs and carriage charges will be quoted and made accordingly.

This guarantee applies in lieu of any other guarantee expressed or implied and variations of its terms are not authorised.

Your Draper guarantee is not effective unless you can produce upon request a dated receipt or invoice to verify your proof of purchase within the guarantee period.

Please note that this guarantee is an additional benefit and does not affect your statutory rights.

Draper Tools Limited.

# 4. INTRODUCTION

---

## 4.1 SCOPE

This air stapler is designed to insert steel staples. Any other use is forbidden.

## 4.2 SPECIFICATION

Stock no. ....	14608
Part no. ....	SFASK1025
Operating Air Pressure.....	60-100PSI (4-7Bar)
Max. Safety Working Pressure.....	115PSI (8Bar)
Min. Air Hose Size .....	$\frac{3}{8}$ " I.D.
Air Inlet Size .....	$\frac{1}{4}$ " BSP
Staple length capacity.....	12-25mm
Gauge.....	18
Crown.....	5.7mm
Shank width.....	1.25mm
Shank thickness .....	1.05mm
Sound Pressure Level.....	86.0dB(A)
Sound Power Level.....	99.0dB(A)
Vibration Level .....	<1.9m/s <sup>2</sup>
Weight .....	1.23kg

† All measurements shown in millimetres.

**Warning: Wear approved safety glasses and ear defenders.**

\*Continuous A-Weighted Sound Pressure Level at the workstation in accordance to prEN ISO 15744:1999 and declared according to EN ISO 4871.

\*\*A-Weighted Sound Power Level in accordance to prEN ISO 15744:1999 and declared according to EN ISO 4871.

## 5. HEALTH & SAFETY INFORMATION

---

### **5.1 GENERAL SAFETY INSTRUCTIONS FOR POWER TOOL USE**

When using any type of power tool there are steps that should be taken to make sure that you, as the user, remain safe.

Common sense and a respect for the tool will help reduce the risk of injury.

Read the instruction manual fully. Do not attempt any operation until you have read and understood this manual.

Most important you must know how to safely start and stop this machine, especially in an emergency.

Keep the work area tidy and clean. Attempting to clear clutter from around the machine during use will reduce your concentration. Mess on the floor creates a trip hazard. Any liquid spilt on the floor could result in you slipping.

Find a suitable location. If the machine is bench mounted; the location should provide good natural light or artificial lighting as a replacement. Avoid damp and dust locations as it will have a negative effect on the machine's performance.

If the machine is portable; do not expose the tool to rain. In all cases do not operate power tools near any flammable materials.

Keep bystanders away. Children, onlookers and passers by must be restricted from entering the work area for their own protection. The barrier must extend a suitable distance from the tool user.

Disconnect and house all power tools that are not in use. An air tool should never be left unattended while connected to the power supply. They must be housed in a suitable location, away locked up and from children.

Do not overload or misuse the tool. All tools are designed for a purpose and are limited to what they are capable of doing. Do not attempt to use a power tool (or adapt it in any way) for an application it is not designed for. Select a tool appropriate for the size of the job. Overloading a tool will result in tool failure and user injury: This covers the use of accessories.

Dress properly. Loose clothing, long hair and jewellery are all dangerous because they can become entangled in moving machinery: This can also result in parts of body being pulled into the machine.

Clothing should be close fitted, with any long hair tied back and jewellery and neck ties removed. Footwear must be fully enclosed and have a nonslip sole.

Wear personal protective equipment (PPE). Dust, noise, vibration and swarf can all be dangerous if not suitably protected against. If the work involving the power tool creates dust or fumes; wear a dust mask. Vibration to the hand, caused by operating some tools for longer periods must be protected against. Wear vibration reducing gloves and allow long breaks between uses. Protect against dust and swarf by wearing approved safety goggles or a face shield. These are some of the more common hazards and preventions; however, always find out what hazards are associated with the machine/work process and wear the most suitable protective equipment available.

Do not breathe contaminated air. If the work creates dust or fumes; connect the machine (if possible) to an extraction system either locally or remotely. Working outdoors can also help if possible.

## 5. HEALTH & SAFETY INFORMATION

---

Move the machine as instructed. If the machine is hand held, do not carry it by the air line. If the product is heavy; employ a second or third person to help move it safely or use a mechanical device. Always refer to the instructions for the correct method.

Do not overreach. Extending your body too far can result in a loss of balance and you falling. This could be from a height or onto a machine and will result in injury.

Maintain your tools correctly. A well maintained tool will do the job safely. Replace any damaged or missing parts immediately with original parts from the manufacturer. As applicable; keep blades sharp; moving parts clean, oiled or greased; handles clean; and emergency devices working.

Wait for the machine to stop. Unless the machine is fitted with a safety brake; some parts may continue to move due to momentum. Wait for all parts to stop; then disconnect it from the air line before making any adjustments, carrying out maintenance operations or just finishing using the tool.

Remove and check setting tools. Some machinery requires the use of additional tools or keys to set, load or adjust the power tool. Before starting the power tool always check to make certain they have been removed and are safely away from the machine.

Prevent unintentional starting. Before connecting any machine in to the air supply, make sure the switch is in the OFF position. If the machine is portable; do not hold the machine near the switch and take care when putting the machine down; that nothing can operate the switch.

Concentrate and stay alert. Distractions are likely to cause an accident. Never operate a power tool if you are under the influence of drugs (prescription or otherwise), including alcohol or if you are feeling tired. Being disorientated will result in an accident.

Have this tool repaired by a qualified person. This tool is designed to conform to the relevant international and local standards and as such should be maintained and repaired by someone qualified; using only original parts supplied by the manufacturer: This will ensure the tool remains safe to use.

## 5. HEALTH & SAFETY INFORMATION

---

### 5.2 ADDITIONAL SAFETY INSTRUCTIONS FOR AIR STAPLER/NAILER

- Only those fasteners listed in the operating instructions may be used in the fastener driving tools.
- Do not use on scaffoldings and ladders.
- Check prior to each operation that the safety and triggering mechanism is functioning properly and that all nuts and bolts are tight.
- Do not carry out any alterations to the fastener driving tool.
- Do not disassemble or make inoperative any parts of the fastener driving tool such as the safety yoke.
- Do not perform any "emergency repairs" without appropriate equipment.
- The fastener driving tool should be serviced properly and at regular intervals in accordance with the manufacturers instructions.
- Avoid weakening or damaging the tool, for example by:
  - punching or engraving;
  - modification not authorised by the manufacturer;
  - guiding against templates made of hard material such as steel;
  - dropping or pushing across the floor;
  - using the equipment as a hammer;
  - applying excessive force of any kind.

Never point any operational fastener driving tool at yourself or at any other person.

Hold the fastener driving tool during the work operation in such a way that no injuries can be caused to the head or to the body in the event of a possible recoil consequent upon a disruption in the energy supply or hard areas within the workpiece.

Never actuate the fastener driving tool into free space. This will avoid any hazard caused by free flying fasteners and excessive strain of the tool,

The tool shall be disconnected from the compressed air system for the purpose of transportation, especially where ladders are used or where physical posture is adopted whilst moving.

Carry the fastener driving tool at the workplace using only the handle, and never with the trigger actuated.

Take conditions at the workplace into account. Fasteners can penetrate thin workpieces or slip off corners and edges of workpieces, and thus put people at risk.

For personal safety, use protective equipment such as hearing and eye protection.

- Only those fasteners which are specified in the operating instructions (see Specification) shall be used in fastener driving tools. The fastener driving tool and the fasteners specified in the operating instructions are to be considered as one unit safety system;
- Quick-action couplings shall be used for connection to the compressed air system and the non-sealable nipple must be fitted at the tool in such a way that no compressed air remains in the tool after disconnection;
- Oxygen or combustible gases shall not be used as an energy source for compressed air operated fastener driving tools;
- Fastener driving tools shall only be connected to an air-supply where the maximum allowable pressure of the tool cannot be exceeded by more than 10%; in case of the higher pressures, a pressure reducing valve which includes a downstream safety valve shall be built into the compressed air supply.



## 5. HEALTH & SAFETY INFORMATION

---

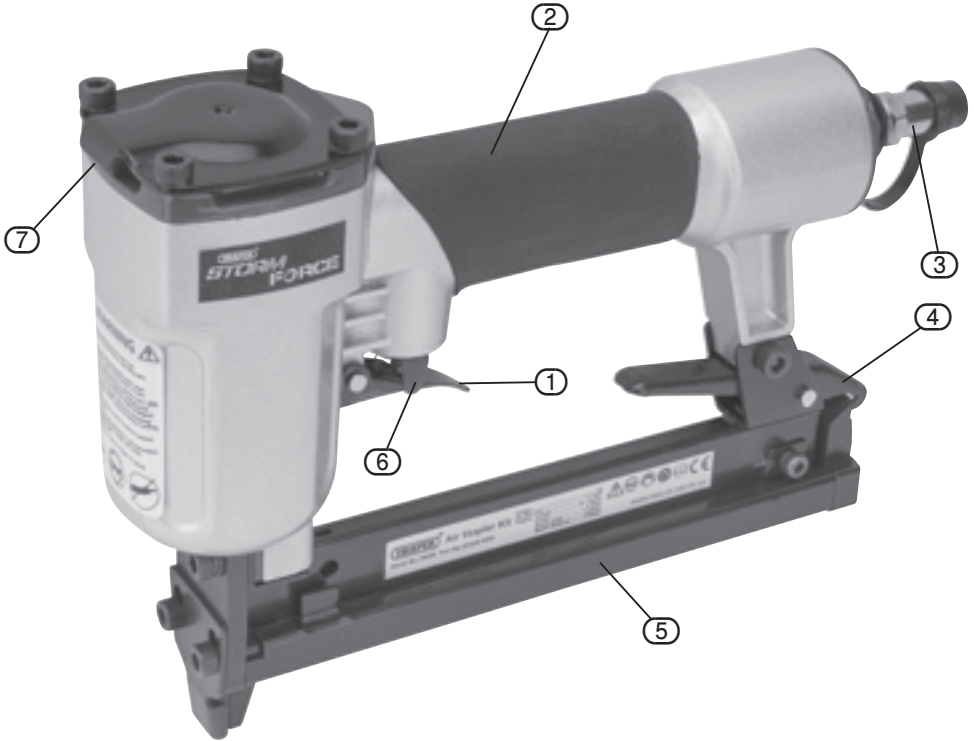
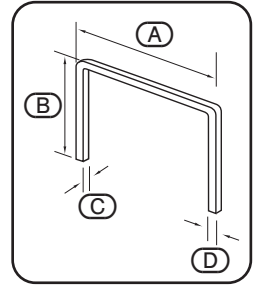
### ***5.3 RESIDUAL RISK***

**Important note:**

- Although the safety instructions and operating manuals for our tools contain extensive instructions of safe working with power tools, every power tool involves a certain residual risk which can not be completely excluded by safety mechanisms. Power tools must therefore always be operated with caution!

## 6. TECHNICAL DESCRIPTION

### 6.1 IDENTIFICATION



- ① Trigger.
- ② Hand Grip.
- ③ Air Inlet.
- ④ Magazine Latch.
- ⑤ Magazine.
- ⑥ Safety Latch.
- ⑦ Exhaust.

- STAPLE:
- ① Crown.
  - ② Length.
  - ③ Shank Thickness.
  - ④ Shank Width.

## 7. UNPACKING & CHECKING

---

### 7.1 PACKAGING

Carefully remove the product from the packaging and examine it for any sign of damage that may have happened during shipping. Lay the contents out and check them against the parts shown below. If any part is damaged or missing; please contact the Draper Helpline (the telephone number appears on the Title page) and do not attempt to use the product.

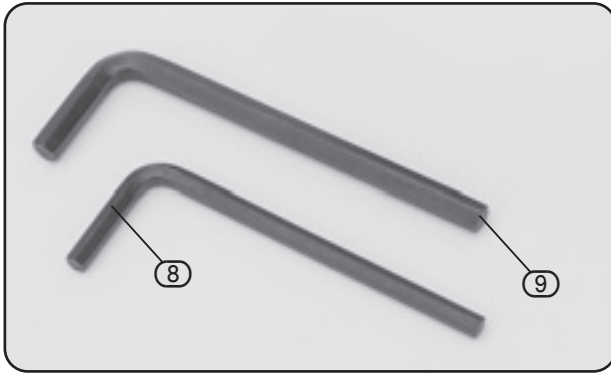
The packaging material should be retained at least during the guarantee period: in case the machine needs to be returned for repair.

**Warning!** Some of the packaging materials used may be harmful to children. Do not leave any of these materials in the reach of children.

If any of the packaging is to be thrown away, make sure they are disposed of correctly; according to local regulations.

### 7.2 WHAT'S IN THE BOX?

Included accessory part:



⑧ 3mm hex. key.

⑨ 4mm hex. key.

## 8. AIR SUPPLY

### 8.1 AIR TOOL OIL SPECIFICATION

**Failure to follow these instructions will lead to premature malfunction of the equipment which is not covered by the guarantee.**

Air tool oil viscosity refers to its properties to flow and how it reacts with heat. A low viscosity is thinner than a high viscosity.

Air tool oil becomes thinner as it heats so choosing the right viscosity is essential. If the viscosity is too low it may provide insufficient lubrication when heated. Equally, if it is too high, the fluid may provide excessive resistance to move through the lines when cold.

The ISO (International Standards Organisation) viscosity grading system measures the kinematic viscosity in centistokes (cSt) at 40° which is today's accepted standard. The SAE (Society of Automotive Engineers) viscosity grade value is based on a scale.

This equipment is suited to an ISO grade 22 – 32 (SAE grade 5W – 15W) monograde oil.

The oil must be constantly supplied to the equipment during use to ensure complete lubrication and optimum performance is achieved. It also acts as a rust inhibitor when the equipment is not in use.

We recommend the use of Draper Air Tool Oil:

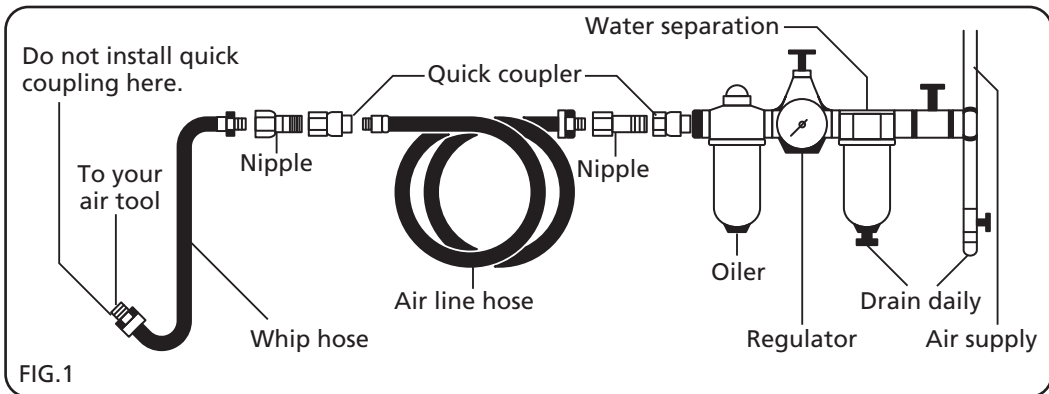
**250ml = Stock No.34679, 500ml = Stock No.34681, 1 Litre = Stock No.34682.**

This air tool operates at a maximum pressure of 115psi/8bar and must be controlled via a combination pressure regulator, in-line lubricator and moisture filter such as the Draper range (see your local Draper stockist) which with proper maintenance will ensure a constant supply of dry air and lubricating oil at all times (see illustration below). Always check machine operating pressure before use.

**Water in the compressor tank will cause serious corrosion to your air tools and should be drained daily to avoid excessive water in your air supply. Dirty wet air rapidly shortens the life of your air tool.**

If you are using an air tool on a hose over 25ft long it is advisable to increase the bore of the hose to the next larger size available, i.e., 1/4" increases 3/8". This will ensure adequate pressure and volume of air to power the machine.

### 8.2 RECOMMENDED AIR SUPPLY SET UP – FIG. 1



After each use and before prolonged storage, lubricate the equipment with approximately 1.5ml of approved air tool oil directly down the air inlet.

## 9. ASSEMBLY

---

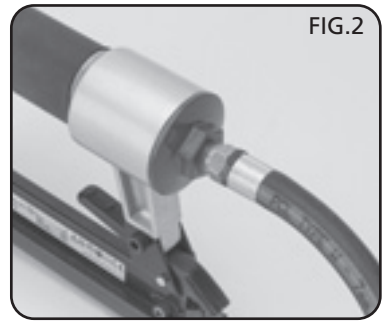
### 9.1 CONNECTION TO THE AIR SUPPLY - FIG. 2

#### Whip hose:

To connect the air ratchet to an air line, a ¼" BSP male thread whip hose\* will be required. Wind a length of PTFE tape\*\* around the thread before securing the hose in place. The connection must be tight for an airtight union.

\* Draper Stock No.54438.

\*\* Draper Stock No.63389.

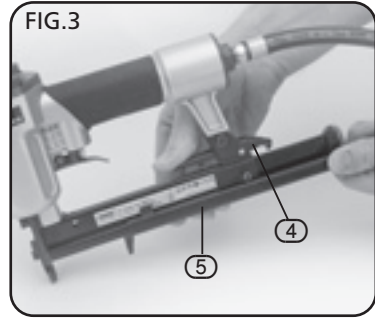


# 10. OPERATION AND USE

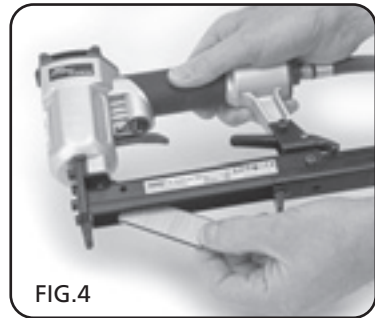
## 10.1 LOADING THE STAPLER - FIGS. 3 - 6

**NOTE:** Always disconnect the tool from the air supply before any adjustment or maintenance is carried out.

Press the magazine latch (4) and gently slide the magazine (5) back.



To load staples into the magazine, sit them into the centre bar.

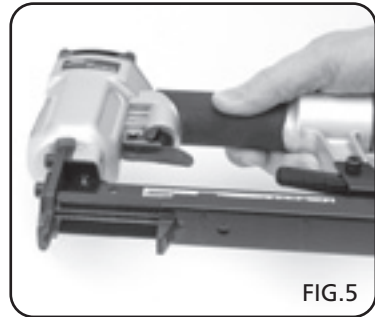


Close the magazine and ensure the latch correctly engages and is fully secure.

Connect the tool to the air supply.

Always test that the fastener penetrates by the correct amount by driving the fastener into a piece of wood. If needed, the air pressure can be regulated to the desired level, see specification for details.

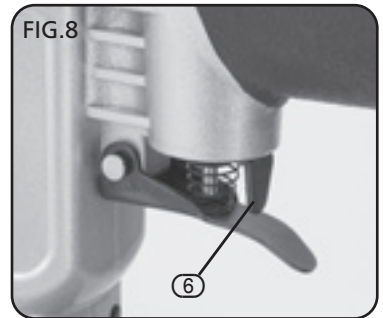
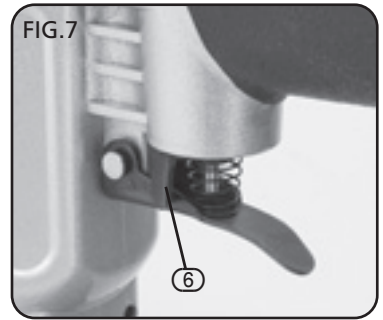
DO NOT exceed the maximum pressure 100psi/7bar.



# 10. OPERATION AND USE

## 10.2 SAFETY LATCH - FIGS. 7 - 8

This tool is fitted with a safety latch ⑥ on the trigger, which should be engaged when the tool is NOT in use. To operate the air stapler, slide the safety latch to one side, then pull the trigger to fire. Ensure the latch is slid back into the locked position when the stapler is not in-use.



## 10. OPERATION AND USE

---

### 10.3 CLEARING A JAM - FIGS. 9 - 10

**Note:** Always disconnect the tool from the air supply before any adjustment or maintenance is carried out.

#### **FASTENER JAMMED INSIDE MAGAZINE**

Open the magazine latch and pull open the magazine. Remove the fastener that is causing the obstruction using long nose pliers. Reload the magazine with the required fasteners and close securely.



#### **FASTENER JAMMED IN CHAMBER**

Open the magazine latch and pull open the magazine. Remove the two hex. socket bolts and remove covering plate. Remove the fastener that is causing the obstruction using long nose pliers. Re-assemble the nose plate and check the operation of the safety lever before using the tool.





# 11. MAINTENANCE

---

## ***11.1 EVERY-DAY MAINTENANCE CHECKS***

Before connection to the air supply:

- Drain the compressor reservoir of condensate.
- Drain the air lines of condensate.
- Drain the combined separator filter, regulator, water trap.
- Fill up the combined separator filter, regulator, lubricant reservoir with approved air tool oil.
- Check the line pressure is correct for the tool.

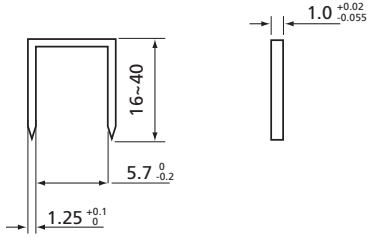
## ***11.2 AFTER USE MAINTENANCE CHECKS***

- Repeat the above procedures.
- Lubricate the tool with approximately 1.5ml of approved air tool oil directly down the air inlet.

## 12. OPTIONAL ACCESSORIES

### STAPLES†

Approx.2,500 pcs. per box



STOCK No.	PART No.	Length	Gauge
17551	SFS	16mm	18
17552	SFS	25mm	18
17553	SFS	32mm	18
17554	SFS	35mm	18
17555	SFS	38mm	18

# 13. TROUBLESHOOTING

## 13.1 TROUBLESHOOTING GUIDE

Problems	Possible cause	Required action
<ul style="list-style-type: none"><li>• Tool fires but will not insert staple fully.</li></ul>	<ul style="list-style-type: none"><li>• Incorrect air pressure.</li></ul>	<ul style="list-style-type: none"><li>• Gradually increase air pressure until staple is driven fully home. DO NOT operate above maximum pressure 115psi/8bar.</li></ul>
<ul style="list-style-type: none"><li>• Tool will not fire.</li></ul>	<ul style="list-style-type: none"><li>• Staple jammed.</li><li>• No lubrication.</li></ul>	<ul style="list-style-type: none"><li>• Disconnect from air line and remove jammed staple.</li><li>• Remove staples, lubricate with air tool oil directly into air inlet, operate machine to see if piston un-jams.</li></ul>
<ul style="list-style-type: none"><li>• Tools will not fire and air flows freely from exhaust.</li></ul>	<ul style="list-style-type: none"><li>• Piston stuck.</li><li>• Trigger faulty.</li><li>• Lack of lubrication.</li></ul>	<ul style="list-style-type: none"><li>• Return to authorised service centre for repair.</li></ul>
<ul style="list-style-type: none"><li>• Tool will not shut off.</li></ul>	<ul style="list-style-type: none"><li>• 'O' ring throttle valve dislodged from seat inlet valve.</li></ul>	<ul style="list-style-type: none"><li>• Replace 'O' ring or return to service centre.</li></ul>

We recommend the use of Draper Air Tool Oil:

**250ml = Stock No.34679,    500ml = Stock No.34681,    1Litre = Stock No.34682.**

# 14. DISPOSAL

---

## **14.1 DISPOSAL**

- At the end of the machine's working life, or when it can no longer be repaired, ensure that it is disposed of according to national regulations.
- Contact your local authority for details of collection schemes in your area.

In all circumstances:

- Do not dispose of power tools with domestic waste.
- Do not incinerate.
- During decommissioning of the equipment, certain hazards should be understood and avoided:
  - Only with the line pressure released shall the equipment be disassembled. Goggles should be worn.

## 15. EXPLANATION OF SYMBOLS

---



Wear safety glasses.



Warning!  
Read the instruction manual



Wear ear defenders.







- **DRAPER TOOLS LIMITED,**  
Hursley Road, Chandler's Ford,  
Eastleigh, Hampshire. SO53 1YF. U.K.
- **Helpline:** (023) 8049 4344
- **Sales Desk:** (023) 8049 4333
- **General Enquiries:** (023) 8026 6355
- **Service/Warranty Repair Agent**  
For aftersales servicing or warranty repairs, please contact the Draper Tools Helpline for details of an agent in your local area.

YOUR DRAPER STOCKIST

RWKC0516

