



SPARE PARTS LISTING SHEET FOR

# 1/2" Sq. Dr. High Torque Impact Ratchet

Stock No.22413

Part No.5296-PRO

KEY No.	PART No.	STOCK No.	DESCRIPTION
1	Y33-312301	22865	Housing.
2	Y50102	22867	Spring pin.
3	Y33-312303	22868	Air inlet.
4	Y33-301304	22869	Throttle lever.
5	Y33-301305	22870	Throttle valve.
6	Y33-312306	22871	Bush.
7	Y706109	22872	O-ring.
8	Y33-301308	22873	Spring.
9	YOR01000105	22874	O-ring.
10	Y33-312310	22875	Valve plug.
12	Y33-301307	22876	Throttle valve.
13	Y052213	22877	Bearing 696Z.
14	Y34-301714	22878	Rear plate.
15	Y34-301715	22879	Rotor.
16	Y30116	22880	Rotor blade.
17	Y30117	22883	Spring pin.
18	Y34-301718	22881	Cylinder.
19	Y34-301719	22882	Front plate.
20	Y030120	22884	Ball bearing.
21	Y34-301721	22885	Washer.
22	Y34-301740	22886	Housing.
23	Y34-301734	22887	Anvil.
24	Y34-301736	22888	Cover.
25	Y34-301735	22890	Sleeve.
26	Y34-301717	22891	Nut.
28	Y34-301728	22892	Ratchet housing.
29	Y41-401254	22893	Oil cap.
30	Y34-301730	22894	Crank shaft.

KEY No.	PART No.	STOCK No.	DESCRIPTION
31	Y34-301729	22895	Drive bush.
32	Y33-301332	22898	Yoke.
33	Y34-301733	22899	Reverse button.
34	Y34-301732	22900	Spring.
35	Y34-301731	22901	Lock pin.
36	Y34-301741	22902	Washer.
37	Y30137	22903	Ratchet pawl.
38	Y34-301738	22904	Ratchet anvil.
39	Y30139	22905	Spring.
40	Y30140	22906	Pin.
41	Y34-301742	22907	Thrust Washer.
42	Y30142	22908	Circlip.
43	Y30143	22909	Steel ball.
44	Y30107	22910	O-ring.
48	Y33-302311	22911	Deflector.
49	YOR02607108	22912	O-ring.
50	Y33-312352	22913	Grip.
51	YPN02000608	22914	Pin.
53	Y70117	22917	Spring pin.
54	Y34-301752	22919	Spring.
55	Y33-302312	22920	O-ring.
56	Y34-301753	22921	Spring.
57	Y030129	22922	Needle bearing.
58	YPN06001108	22925	Pin.
59	Y34-301724	22923	Bush.
60	YAS000143	22924	Steel ball.
61	Y0NTB1831	22926	Thrust bearing.

**Helpline: (023) 8049 4344. Sales Desk: (023) 8049 4333. General Enquiries: (023) 8026 6355.**

DRAPER TOOLS LTD, HURSLEY ROAD, CHANDLER'S FORD, EASTLEIGH, HANTS. SO53 1YF. U.K. internet: www.draper.co.uk e-mail: sales@drapertools.com

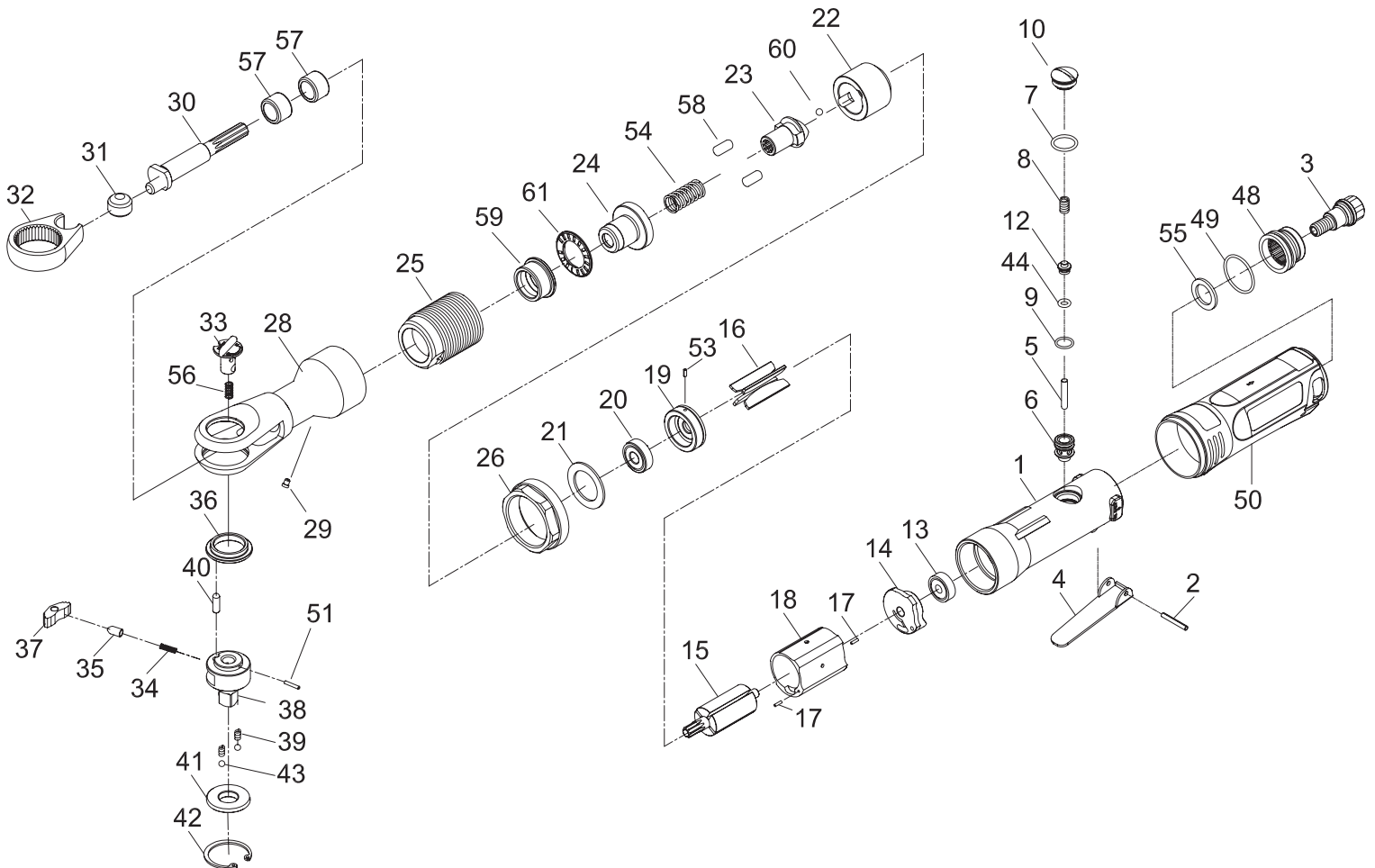


SPARE PARTS DRAWING SHEET FOR

# 1/2" Sq. Dr. High Torque Impact Ratchet

Stock No.22413

Part No.5296-PRO



**Helpline: (023) 8049 4344. Sales Desk: (023) 8049 4333. General Enquiries: (023) 8026 6355.**

DRAPER TOOLS LTD, HURSLEY ROAD, CHANDLER'S FORD, EASTLEIGH, HANTS. SO53 1YF. U.K. internet: [www.draper.co.uk](http://www.draper.co.uk) e-mail: [sales@drapertools.com](mailto:sales@drapertools.com)