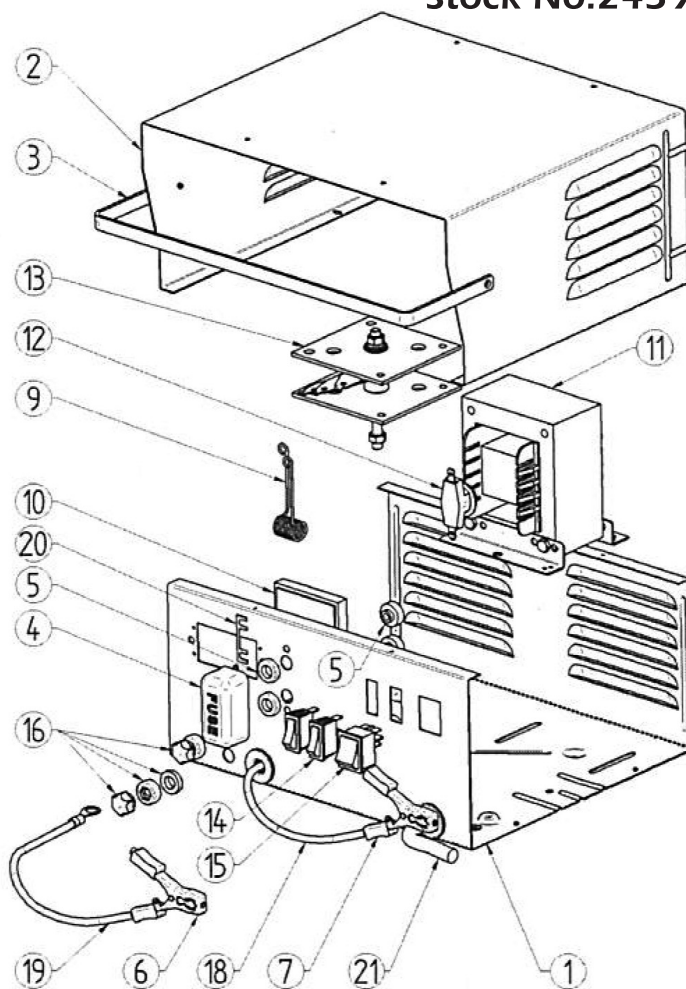


# DRAPER®

## SPARE PARTS LISTING & DRAWING SHEET FOR 12/24 Volt 300 Amp Battery Charger Starter

Stock No.24391

Part No.BCS300B



| KEY No. | PART No. | STOCK No. | DESCRIPTION                   |
|---------|----------|-----------|-------------------------------|
| 1       | Y-715126 | 24416     | Bottom.                       |
| 2       | Y-715127 | 24417     | Top cover.                    |
| 3       | Y-711425 | 07713     | Handle.                       |
| 4       | Y-720180 | 07674     | Fuse cover.                   |
| 5       | Y-630033 | 07673     | Insulator.                    |
| 6       | Y-674009 | 07677     | Positive clamp without cable. |
| 7       | Y-674010 | 07676     | Negative clamp without cable. |
| 9       | Y-752003 | 24419     | Ammeter coil.                 |
| 10      | Y-652019 | 07693     | Ammeter.                      |
| 11      | Y-751920 | 07714     | Transformer.                  |

| KEY No. | PART No. | STOCK No. | DESCRIPTION                        |
|---------|----------|-----------|------------------------------------|
| 12      | Y-657014 | 07703     | Thermal protective device.         |
| 13      | Y-666066 | 07715     | Rectifier.                         |
| 14      | Y-651037 | 07692     | Switch.                            |
| 15      | Y-651107 | 07716     | Switch.                            |
| 16      | Y-687016 | 07717     | Handwheel.                         |
| 18      | Y-741532 | 07706     | Negative battery cable connection. |
| 19      | Y-741533 | 07707     | Positive battery cable connection. |
| 20      | Y-010292 | 07682     | Fuse 100 amp.                      |
| 21      | Y-741569 | 07719     | Input supply cable.                |

**Helpline: (023) 8049 4344. Sales Desk: (023) 8049 4333. General Enquiries: (023) 8026 6355.**

DRAPER TOOLS LTD, HURSLEY ROAD, CHANDLER'S FORD, EASTLEIGH, HANTS. SO53 1YF. U.K. internet: www.draper.co.uk e-mail: sales@drapertools.com

KCLJ250712