



SPARE PARTS LISTING SHEET FOR

# 750W 230V Stainless Steel Body Submersible Dirty Water Pump with Float Switch

Stock No.25360

Part No.SWP210DWSS

KEY No.	PART No.	STOCK No.	DESCRIPTION
1	YSWP210DWSS-1	26644	Supply cable
2	YSWP210DWSS-2	26645	Float switch
3	YSWP210DWSS-3	26647	Screw
4	YSWP210DWSS-4	26648	Handle
5	YSWP210DWSS-5	26649	Nut
6	YSWP210DWSS-6	26652	Screw
7	YSWP210DWSS-7	26653	Main pump
8	YSWP210DWSS-8	26654	O-Ring
9	YSWP210DWSS-9	26655	Back pump cover
10	YSWP210DWSS-10	26656	Cable sleeve
11	YSWP210DWSS-11	26658	Cable sleeve
12	YSWP210DWSS-12	26659	Clamp
13	YSWP210DWSS-13	26660	Capacitor
14	YSWP210DWSS-14	26661	Clamp
15	YSWP210DWSS-15	26663	Tapping screw
16	YSWP210DWSS-16	26664	Rear cover
16-1	YSWP210DWSS16-1	26665	Conducting wire sleeve
16-2	YSWP210DWSS16-2	26716	Washer ring
16-3	YSWP21016-3/4/5	26718	Earth wire
16-4	YSWP21016-3/4/5	26718	Earth wire
16-5	YSWP21016-3/4/5	26718	Earth wire
16-6	YSWP210DWSS16-6	26719	Washer ring
16-7	YSWP210DWSS16-7	26720	Screw
17	YSWP210DWSS-17	26721	Corrugated washer
18	YSWP210DWSS-18	26725	Bearing
19	YSWP210DWSS-19	26726	Rotor

KEY No.	PART No.	STOCK No.	DESCRIPTION
20	YSWP210DWSS-20	26727	Spirical body
21	YSWP210DWSS-21	26728	Seal ring
22	YSWP210DWSS-22	26729	Steel ball
23	YSWP210DWSS-23	26730	Spirical nut
24	YSWP210DWSS-24	26731	Stator
25	YSWP210DWSS-25	26732	Lining ring
26	YSWP210DWSS-26	26736	Washer
27	YSWP210DWSS-27	26738	Frame seal ring
28	YSWP210DWSS-28	26740	Aluminium bushing
29	YSWP210DWSS-29	26741	O-Ring
30	YSWP210DWSS-30	26742	Front cover
31	YSWP210DWSS-31	26743	Adjusting washer
32	YSWP210DWSS-32	26744	Impeller
33	YSWP210DWSS-33	26745	Nut
34	YSWP210DWSS-34	26746	O-Ring
35	YSWP210DWSS-35	26747	Press seal
36	YSWP210DWSS-36	26748	Tapping screw
37	YSWP210DWSS-37	26749	Grounding connector
38	YSWP210DWSS-38	26750	Orientation ring
39	YSWP210DWSS-39	26751	Seal mat
42	YSWP210DWSS-42	26754	Pump base assembly
46	YSWP210DWSS-46	26758	O-Ring
47	YSWP210DWSS-47	26759	Adaptor
48	YSWP210DWSS-48	26760	Output connector
49	YSWP210DWSS-49	26761	Nylon safe press cap
50	YSWP210DWSS-50	26762	Cable tie

**Helpline: (023) 8049 4344. Sales Desk: (023) 8049 4333. General Enquiries: (023) 8026 6355.**

DRAPER TOOLS LTD, HURSLEY ROAD, CHANDLER'S FORD, EASTLEIGH, HANTS. SO53 1YF U.K website: www.drapertools.com e-mail: sales@drapertools.com

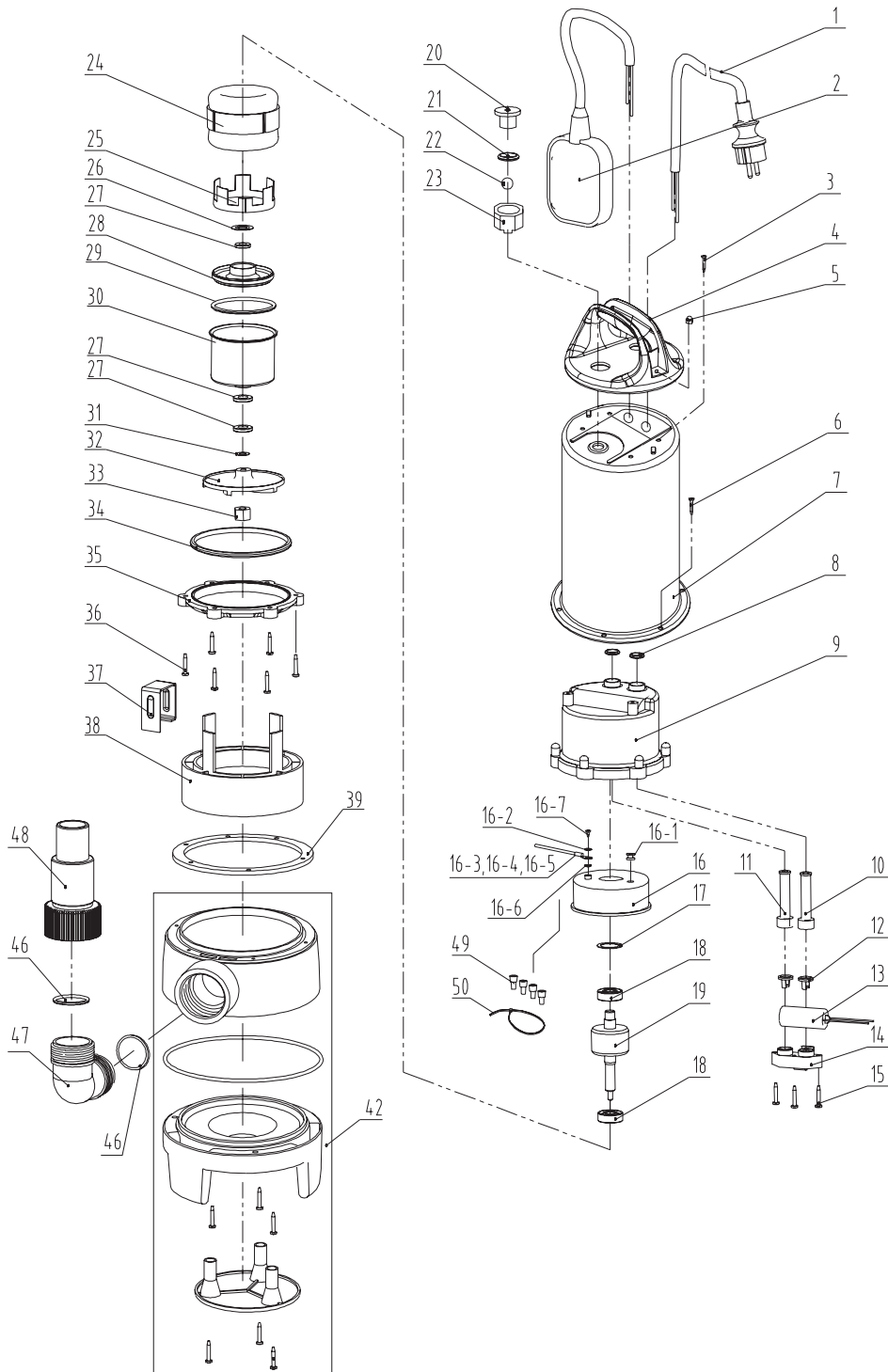


SPARE PARTS DRAWING SHEET FOR

# 750W 230V Stainless Steel Body Submersible Dirty Water Pump with Float Switch

Stock No.25360

Part No.SWP210DWSS



Helpline: (023) 8049 4344. Sales Desk: (023) 8049 4333. General Enquiries: (023) 8026 6355.

DRAPER TOOLS LTD, HURSLEY ROAD, CHANDLER'S FORD, EASTLEIGH, HANTS. SO53 1YF. U.K website: [www.drapertools.com](http://www.drapertools.com) e-mail: [sales@drapertools.com](mailto:sales@drapertools.com)

KCCH240113