

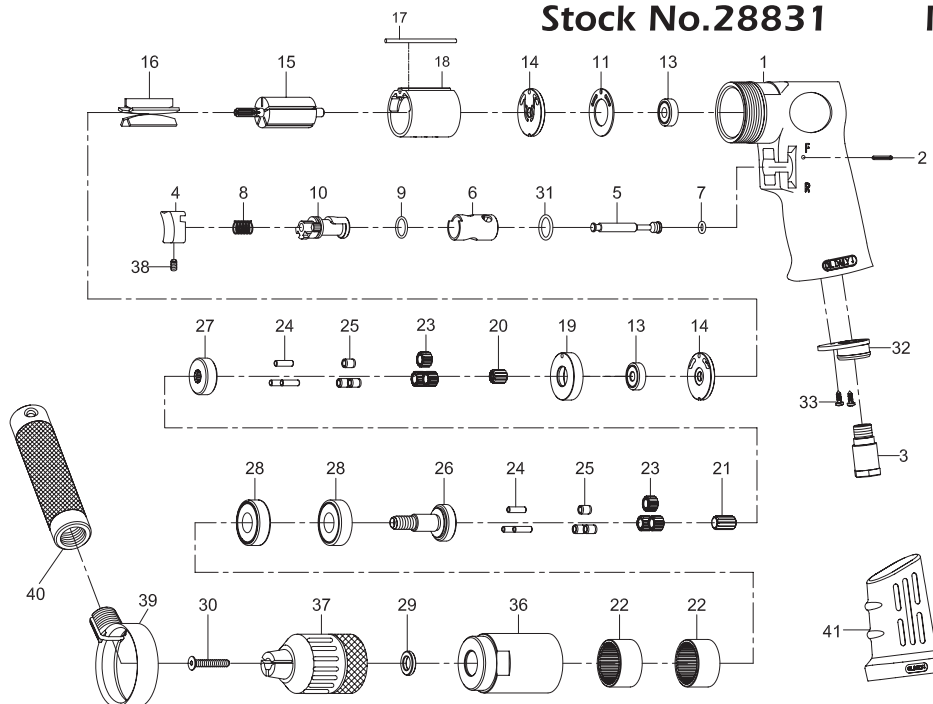


SPARE PARTS LISTING & DRAWING SHEET FOR

13mm Reversible Air Drill

Stock No.28831

Part No.4274KA



KEY No.	PART No.	STOCK No.	DESCRIPTION
1	Y80201	29203	Motor housing.
2	Y80202	29204	Spring pin.
3	Y70103	29205	Air inlet.
4	Y70104	29206	Trigger.
5	Y80205	29207	Valve stem.
6	Y80206	29208	Reverse bushing.
7	Y70107	41662	O-ring.
8	Y70108	29209	Valve spring.
9	Y80209	16455	O-ring.
10	Y80210	29230	Reverse lever.
11	Y80211	16471	Motor gasket.
13	Y030113	47843	Ball bearing.
14	Y80214	41752	End plate.
15	Y80215	41755	Rotor steel.
16	Y80216	41756	Rotor blades.
17	Y80217-13	41757	Pin.
18	Y80218-22	41758	Cylinder.
19	Y80219	16512	Spacer.
20	Y70420	19631	Pinion gear.

KEY No.	PART No.	STOCK No.	DESCRIPTION
21	Y70421	19632	Centre gear.
22	Y80222	41762	Internal Gear.
23	Y70423	29231	Planet gear.
24	Y30124	41642	Pin.
25	Y70425	29233	Bush.
26	Y70426	19637	Work spindle.
27	Y70427	19645	Reduction spindle.
28	Y080227	47836	Ball bearing.
29	Y70133	41769	Washer.
30	Y70430-12	19641	Screw.
31	Y80247	29234	O-ring.
32	Y70110	29235	Exhaust diffuser.
33	Y40309	16556	Screw.
36	Y70436	19639	Clamp nut.
37	Y10033-12	41808	Keyless chuck.
38	Y70935	29236	Set screw.
39	Y70439	29237	Retainer.
40	Y70340	29239	Handle.
41	Y80253	29240	Rubber grip.

Helpline: (023) 8049 4344. Sales Desk: (023) 8049 4333. General Enquiries: (023) 8026 6355.

DRAPER TOOLS LTD, HURSLEY ROAD, CHANDLER'S FORD, EASTLEIGH, HANTS. SO53 1YF. U.K website: www.drapertools.com e-mail: sales@drapertools.com