

DRAPER[®]

SPARE PARTS LISTING SHEET FOR

1000W 230V Surface Mounted Pump

Stock No.31555

Part No.SP76

KEY No.	PART No.	STOCK No.	DESCRIPTION
1	YGP-SP76-1	32870	Valve cover
2	YGP-SP76-2	32872	'O' ring
3	YGP-SP76-3	32875	Screw
4	YGP-SP76-4	32880	Washer ring
5	YGP-SP76-5	32882	Valve cover
6	YGP-SP76-6	32887	'O' ring
7	YGP-SP76-7	32888	Pump head
8	YGP-SP76-8	32890	'O' ring
9	YGP-SP76-9	32891	Diffuser
10	YGP-SP76-10	32892	Nut
11	YGP-SP76-11	32893	Washer ring
12	YGP-SP76-12	32909	Impeller
13	YGP-SP76-13	32911	Mechanical seal
14	YGP-SP76-14	32913	'O' ring
15	YGP-SP76-15	32928	Seal plate
16	YGP-SP76-16	32936	Thrower
17	YGP-SP76-17	32937	Front cover
18	YGP-SP76-18	32939	Handle
20	YGP-SP76-20	32940	Screw
21	YGP-SP76-21	32942	Stator
22	YGP-SP76-22	32944	Aluminum cover
23	YGP-SP76-23	32945	Seal gasket
24	YGP-SP76-24	32946	Terminal box cover
25	YGP-SP76-25	32947	Screw
26	YGP-SP76-26	32948	Custom self tapping screw

KEY No.	PART No.	STOCK No.	DESCRIPTION
27	YGP-SP76-27	32949	Switch block
28	YGP-SP76-28	32950	Water tight switch
29	YGP-SP76-29	32951	Terminal box cover
29A	YGP-SP76-29-A	32952	Seal gasket
30	YGP-SP76-30	32953	Custom self tapping screw
31	YGP-SP76-31	32954	16Uf capacitor
32	YGP-SP76-32	32956	Custom self tapping screw
33	YGP-SP76-33	32963	Cable pressure block
34	YGP-SP76-34	32964	Seal block
35	YGP-SP76-35	32974	Spacer
36	YGP-SP76-36	32976	Cable pressure cap
37	YGP-SP76-37	32980	Power wire
38	YGP-SP76-38	32982	Bearing
39	YGP-SP76-39	32991	Key
40	YGP-SP76-40	32992	Rotor
41	YGP-SP76-41	32994	Wave washer
42	YGP-SP76-42	32995	Rear cover
43	YGP-SP76-43	32998	Washer ring
44	YGP-SP76-44	32999	Bolt
45	YGP-SP76-45	33000	Fan
46	YGP-SP76-46	33001	Check ring
47	YGP-SP76-47	33002	Fan cover
48	YGP-SP76-48	33003	Screw
51	YGP-SP76-51	33004	Plate washer

Helpline: (023) 8049 4344. **Sales Desk:** (023) 8049 4333. **General Enquiries:** (023) 8026 6355.

DRAPER TOOLS LTD, HURSLEY ROAD, CHANDLER'S FORD, EASTLEIGH, HANTS. SO53 1YF. U.K website: www.drapertools.com e-mail: sales@drapertools.com

KCMC040613

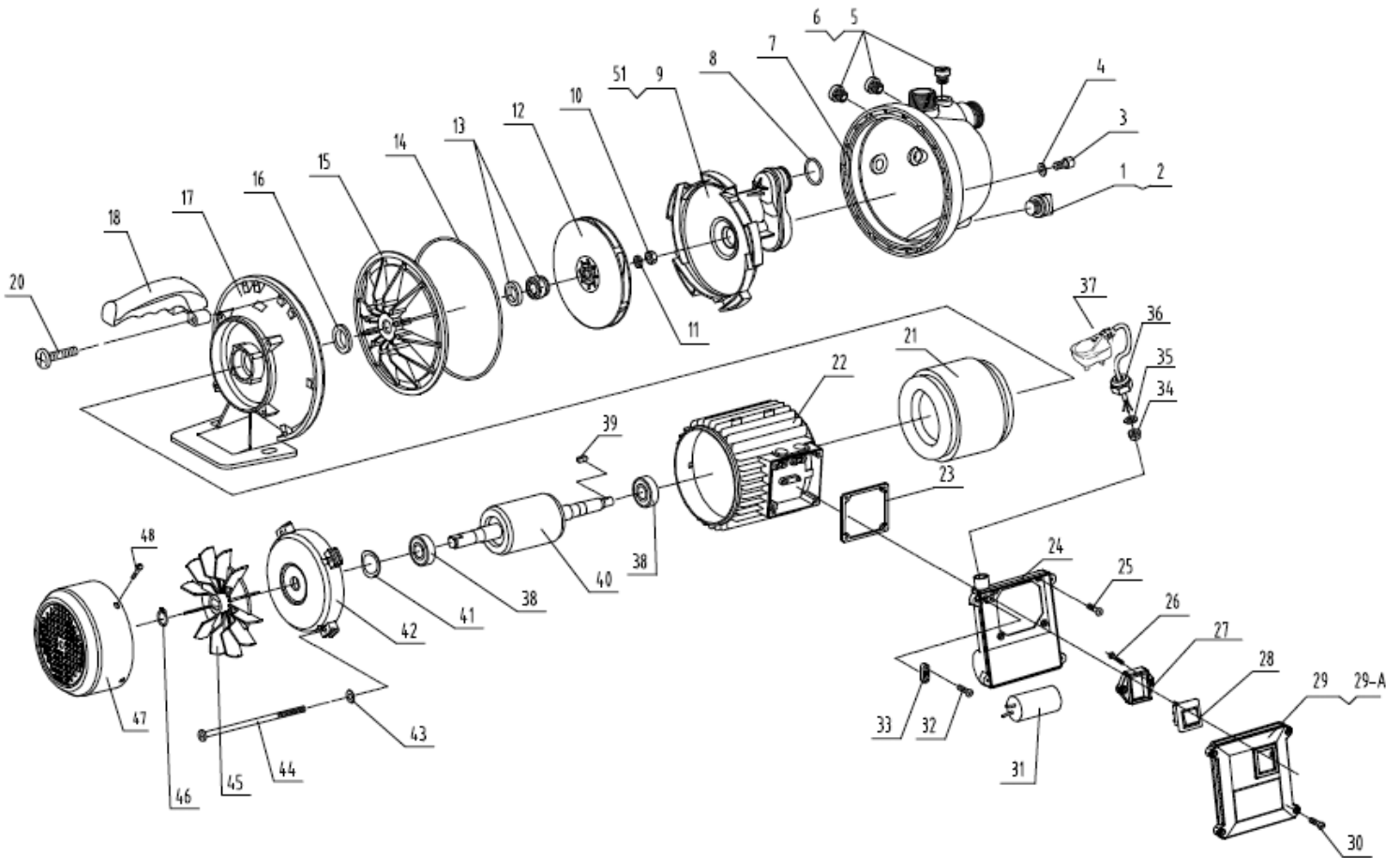


SPARE PARTS DRAWING SHEET FOR

1000W 230V Surface Mounted Pump

Stock No.31555

Part No.SP76



Helpline: (023) 8049 4344. **Sales Desk:** (023) 8049 4333. **General Enquiries:** (023) 8026 6355.

DRAPER TOOLS LTD, HURSLEY ROAD, CHANDLER'S FORD, EASTLEIGH, HANTS. SO53 1YF. U.K website: www.drapertools.com e-mail: sales@drapertools.com

KCMC040613