



PETROL BLOWER/ VAC

32301

SPARE PARTS LISTING SHEET

| KEY NO. | PART NO. | STOCK NO. | DESCRIPTION |
|---------|------------|-----------|-----------------------|
| 1 | Y-BVP26-01 | 40110 | Screw |
| 2 | Y-BVP26-02 | 40129 | Washer |
| 3 | Y-BVP26-03 | 40210 | Washer |
| 4 | Y-BVP26-04 | 40271 | Plug cap |
| 5 | Y-BVP26-05 | 40427 | Click spring |
| 6 | Y-BVP26-06 | 40432 | Plug |
| 7 | Y-BVP26-07 | 40458 | Muffler |
| 8 | Y-BVP26-08 | 40460 | Muffler gasket |
| 9 | Y-BVP26-09 | 40461 | Screw |
| 10 | Y-BVP26-10 | 40463 | Washer |
| 11 | Y-BVP26-11 | 40464 | Washer |
| 12 | Y-BVP26-12 | 40473 | Rubber plug |
| 13 | Y-BVP26-13 | 40777 | Screw |
| 14 | Y-BVP26-14 | 40782 | Magneto stator |
| 15 | Y-BVP26-15 | 40800 | Heat insulation pad |
| 16 | Y-BVP26-16 | 40808 | Cylinder |
| 17 | Y-BVP26-17 | 40881 | Cylinder |
| 18 | Y-BVP26-18 | 40883 | Piston ring |
| 19 | Y-BVP26-19 | 40894 | Piston |
| 20 | Y-BVP26-20 | 40895 | Piston pin |
| 21 | Y-BVP26-21 | 40906 | Piston pin |
| 23 | Y-BVP26-23 | 40927 | Needle bearing |
| 24 | Y-BVP26-24 | 40936 | Nut |
| 25 | Y-BVP26-25 | 41050 | Washer |
| 26 | Y-BVP26-26 | 41207 | Magneto rotor |
| 27 | Y-BVP26-27 | 41209 | Screw |
| 28 | Y-BVP26-28 | 41210 | Oil seal |
| 29 | Y-BVP26-29 | 41211 | Front half crank case |

| KEY NO. | PART NO. | STOCK NO. | DESCRIPTION |
|---------|------------|-----------|-----------------------|
| 30 | Y-BVP26-30 | 41255 | Annul |
| 31 | Y-BVP26-31 | 41288 | Ball bearing |
| 32 | Y-BVP26-32 | 41298 | Crank case gasket |
| 33 | Y-BVP26-33 | 41312 | Key |
| 34 | Y-BVP26-34 | 41313 | Crank shaft complete |
| 35 | Y-BVP26-35 | 41316 | Rear half crank case |
| 36 | Y-BVP26-36 | 41319 | Starter pulley |
| 37 | Y-BVP26-37 | 41320 | Starter pawl spring |
| 38 | Y-BVP26-38 | 41323 | Starter pawl |
| 39 | Y-BVP26-39 | 41329 | Cylinder washer |
| 40 | Y-BVP26-40 | 41330 | Slab |
| 41 | Y-BVP26-41 | 41331 | Inlet manifold |
| 42 | Y-BVP26-42 | 41333 | Screw |
| 43 | Y-BVP26-43 | 41334 | Pull rod |
| 44 | Y-BVP26-44 | 41335 | Pull rod cover |
| 45 | Y-BVP26-45 | 41337 | Sealing washer |
| 46 | Y-BVP26-46 | 41340 | Inlet manifold |
| 47 | Y-BVP26-47 | 41342 | Sealing washer |
| 48 | Y-BVP26-48 | 41343 | Carburettor |
| 49 | Y-BVP26-49 | 41344 | Cleaner inside cover |
| 50 | Y-BVP26-50 | 41345 | Choke |
| 51 | Y-BVP26-51 | 41346 | Baffle |
| 52 | Y-BVP26-52 | 41348 | Screw |
| 53 | Y-BVP26-53 | 41355 | Cleaner element |
| 54 | Y-BVP26-54 | 41356 | Cleaner outside cover |
| 55 | Y-BVP26-55 | 41358 | Screw |
| 64 | Y-BVP26-64 | 41364 | Starter |
| 65 | Y-BVP26-65 | 41374 | Cylinder washer |

Helpline: (023) 8049 4344. Sales Desk: (023) 8049 4333. General Enquiries: (023) 8026 6355.

DRAPER TOOLS LTD, HURSLEY ROAD, CHANDLER'S FORD, EASTLEIGH, HANTS. SO53 1YF. U.K website: drapertools.com e-mail: sales@drapertools.com

KCCH0117



PETROL
**BLOWER/
 VAC**
 32301

SPARE PARTS LISTING SHEET

| KEY NO. | PART NO. | STOCK NO. | DESCRIPTION |
|---------|------------|-----------|-----------------|
| 1 | Y-BVP26-66 | 43212 | Pipe |
| 2 | Y-BVP26-67 | 43213 | Pipe |
| 3 | Y-BVP26-68 | 43217 | Hoop |
| 4 | Y-BVP26-69 | 43245 | Screw |
| 5 | Y-BVP26-70 | 43272 | Washer |
| 6 | Y-BVP26-71 | 43295 | Link board |
| 7 | Y-BVP26-72 | 43311 | Screw |
| 8 | Y-BVP26-73 | 43313 | Switch carapace |
| 9 | Y-BVP26-74 | 43314 | Switch |
| 10 | Y-BVP26-75 | 43315 | Switch antenna |
| 11 | Y-BVP26-76 | 43346 | Volute case |
| 12 | Y-BVP26-77 | 43365 | Washer |
| 13 | Y-BVP26-78 | 43366 | Screw |
| 14 | Y-BVP26-79 | 43368 | Net cover |
| 15 | Y-BVP26-80 | 43369 | Spring screw |
| 16 | Y-BVP26-81 | 43371 | Spring |
| 17 | Y-BVP26-82 | 43373 | Nut |
| 18 | Y-BVP26-83 | 43378 | Comminute board |
| 19 | Y-BVP26-84 | 43639 | impeller |
| 20 | Y-BVP26-85 | 43677 | link shaft |
| 21 | Y-BVP26-86 | 43744 | Volute case |
| 22 | Y-BVP26-87 | 43767 | Support |
| 23 | Y-BVP26-88 | 43792 | Support |
| 24 | Y-BVP26-89 | 43800 | Tube |
| 25 | Y-BVP26-90 | 43801 | Plug |
| 26 | Y-BVP26-91 | 43804 | Fuel tube |
| 27 | Y-BVP26-92 | 43806 | Filter |
| 28 | Y-BVP26-93 | 43809 | Fuel tank lid |

| KEY NO. | PART NO. | STOCK NO. | DESCRIPTION |
|---------|-------------|-----------|---------------------------|
| 29 | Y-BVP26-94 | 43812 | Lid |
| 30 | Y-BVP26-95 | 43813 | Sealing washer |
| 31 | Y-BVP26-96 | 43814 | End cover |
| 32 | Y-BVP26-97 | 43815 | Air valve |
| 33 | Y-BVP26-98 | 43816 | Chain |
| 34 | Y-BVP26-99 | 43817 | Fuel tank |
| 35 | Y-BVP26-100 | 43818 | Fuel tank pad |
| 36 | Y-BVP26-101 | 43819 | Screw |
| 37 | Y-BVP26-102 | 43820 | Drag board |
| 38 | Y-BVP26-103 | 43821 | Hand grip |
| 39 | Y-BVP26-104 | 43822 | Drag board |
| 40 | Y-BVP26-105 | 43823 | Protection |
| 41 | Y-BVP26-106 | 43824 | Handle cover |
| 42 | Y-BVP26-107 | 43826 | Handle |
| 43 | Y-BVP26-108 | 43827 | Switch |
| 44 | Y-BVP26-109 | 43830 | Rubber plug |
| 45 | Y-BVP26-110 | 43832 | Handle cover |
| 46 | Y-BVP26-111 | 43834 | Stop switch |
| 47 | Y-BVP26-112 | 43836 | Fuel throttle |
| 48 | Y-BVP26-113 | 43837 | Collect plug |
| 49 | Y-BVP26-114 | 43857 | Stop wire |
| 50 | Y-BVP26-115 | 44020 | Stop switch |
| 51 | Y-BVP26-116 | 44260 | Switch grommet |
| 52 | Y-BVP26-117 | 44301 | Pipe |
| 53 | Y-BVP26-118 | 44319 | Pipe |
| 54 | Y-BVP26-119 | 44335 | Sealing washer 3.15 x 1.8 |
| 55 | Y-BVP26-120 | 44343 | Heat insulating pad |

Helpline: (023) 8049 4344. Sales Desk: (023) 8049 4333. General Enquiries: (023) 8026 6355.

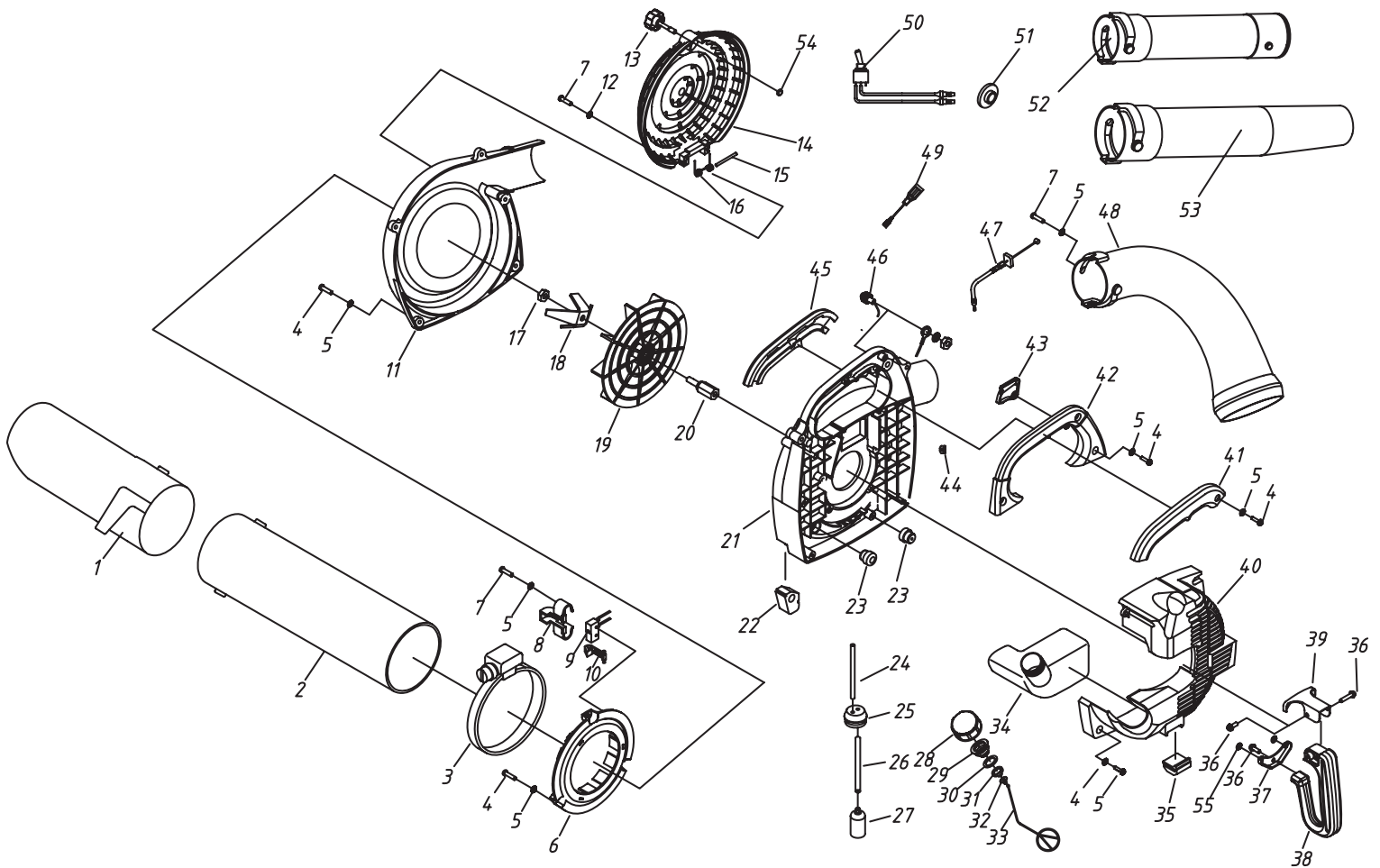
DRAPER TOOLS LTD, HURSLEY ROAD, CHANDLER'S FORD, EASTLEIGH, HANTS. SO53 1YF. U.K website: drapertools.com e-mail: sales@drapertools.com



PETROL BLOWER/ VAC

32301

SPARE PARTS DRAWING SHEET



Helpline: (023) 8049 4344. Sales Desk: (023) 8049 4333. General Enquiries: (023) 8026 6355.

DRAPER TOOLS LTD, HURSLEY ROAD, CHANDLER'S FORD, EASTLEIGH, HANTS. SO53 1YF. U.K website: drapertools.com e-mail: sales@drapertools.com

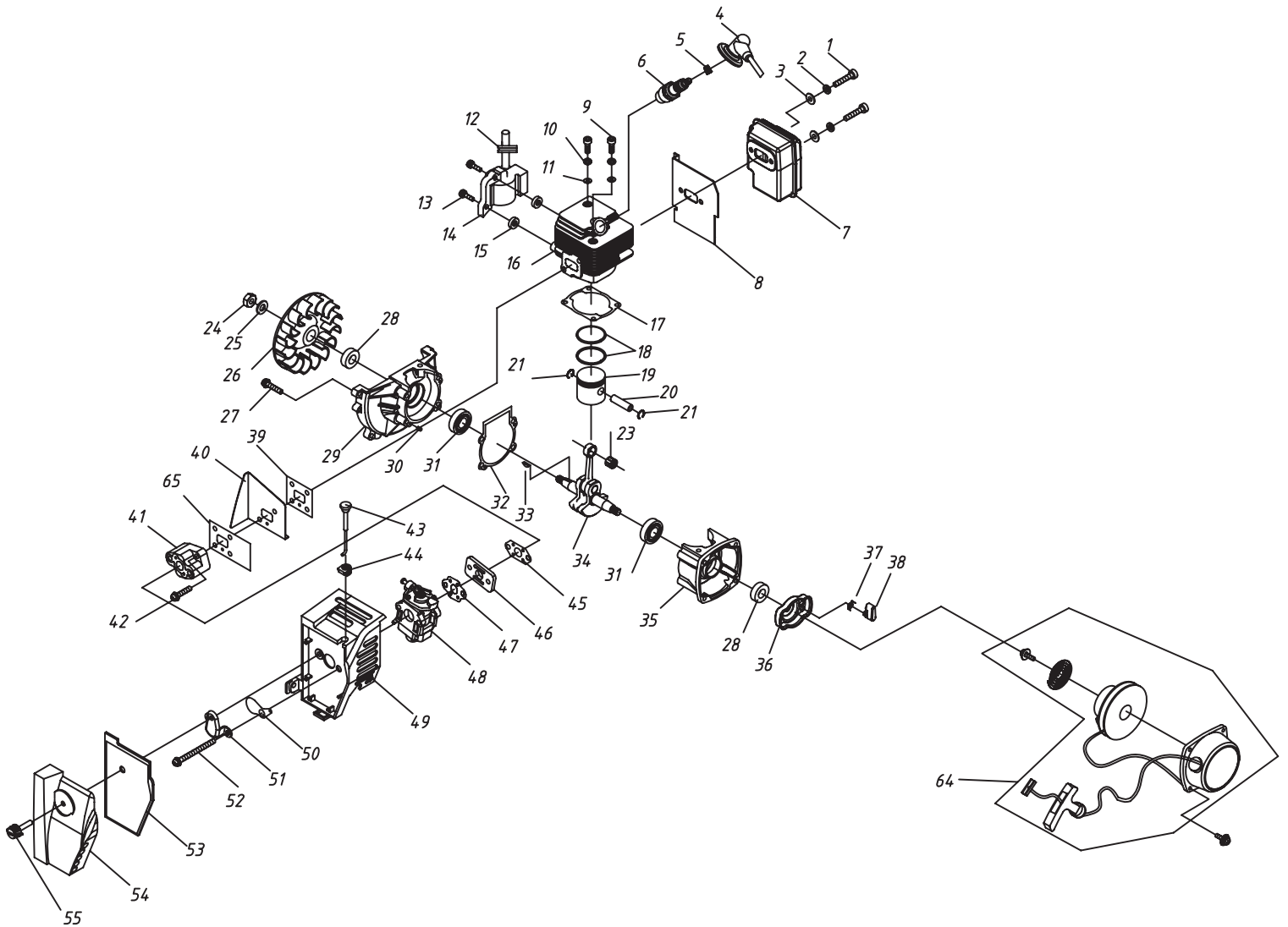
KCCH0117



PETROL BLOWER/ VAC

32301

SPARE PARTS DRAWING SHEET



Helpline: (023) 8049 4344. Sales Desk: (023) 8049 4333. General Enquiries: (023) 8026 6355.

DRAPER TOOLS LTD, HURSLEY ROAD, CHANDLER'S FORD, EASTLEIGH, HANTS. SO53 1YF. U.K website: drapertools.com e-mail: sales@drapertools.com

KCCH0117