



Mechanics Car Creeper

Stock No.43976

Part No.CC4

INSTRUCTIONS

07/2007



SPECIFICATION

The Draper Tools policy of continuous improvement determines the right to change specification without notice.

Stock No.	43976
Part No.	CC4
Overall length	1010mm
Overall width	480mm
Max. weight capacity	150kg



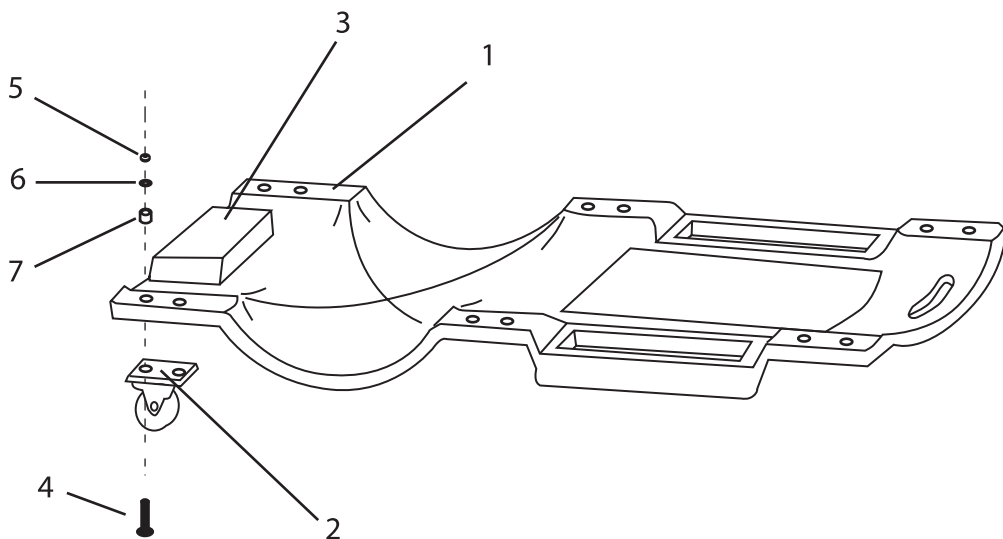
SAFETY INSTRUCTIONS

- Do not place under car tyres or use to move or reposition vehicle.
- Do not use as a toy or skateboard.
- Do not stand on car creeper or use as a stepping device.
- Do not use if any part of the car creeper is defective or damaged in any way.
- Always store in an upright position in a secure place.
- Keep out of the reach of children.



ASSEMBLY

- Put bolt (4) through hole of caster (2) and thread into underside of creeper body.
- Put sleeve (7) over bolt thread.
- Place flat washer (6) up to sleeve and screw nut (5) onto bolt until tight.
- Repeat for all 6 castors.



No.	Description	Qty
1	Plastic Body	1
2	3" Swivel Castor	6
3	Head Rest	1
4	Bolt	13
5	Nut M6	12
6	Flat Washer	13
7	Sleeve	12