

**DRAPER**<sup>®</sup>

SPARE PARTS LISTING SHEET FOR

# Infra-Red Diesel Space Heater

Stock No.54046

Part No.DSH-IR30

KEY No.	PART No.	STOCK No.	DESCRIPTION
1	YSF2-025-001	61030	Fuel Tank
2	YR20-15016-1	61037	Fuel Filter
3-1	YSF2-025-003-1	61038	Float Sensor
3-2	YTK13-008-078	58533	Float Sensor Packing
3-3	YSF2-025-003-3	61039	Fuel Pipe
3-4	YSF2-025-003-4	61040	Return Pipe
3-5	YTK13-008-081	58536	Pipe Packing
3-6	YTK13-008-082	58541	Nut
4	YSF2-025-004	61041	Flexible Hose
5	YSF2-025-005	61042	Elbow Flexible Hose
6	YTK13-000-005	58453	Fuel Cap
7	YSF2-025-007	61043	Fuel Cap Inner Packing
8	YTK8-000-005-1	58454	Fuel Cap Packing
9	YTK8-003-003	33720	Fuel Gauge
10	YTK8-003-003-1	33742	Fuel Gauge Packing
11	YSF2-025-011	61044	Tank Support-L
12	YSF2-025-012	61045	Tank Support_R
13	YSF2-025-013	61046	Cone Body
14	YSF2-025-014	61047	Bracket
15	YSF2-025-015	61048	Bracket
16	YSF2-025-016	61049	Diffuser Gasket
17	YSF2-025-017	61050	Diffuser
18	YSF2-025-018	61051	Insulator Body
19	YSF2-025-019	61052	Heat Plate
20	YSF2-025-020	61053	Cone Body Holder
21	YSF2-025-021	61054	Umbrella Bracket
22	YM12X20	61055	Bolt
23	YM12	61056	Nut
24	YSF2-025-024	61057	Umbrella
25	YSF2-025-025	61058	Rotate ADJ. Handle
26	YSF2-025-026	61059	Support Pipe
27	YSF2-025-027	61060	Guard Bracket
28	YSF2-025-028	61061	Guard
29	YSF2-025-029	61062	Visor
29-1	YSF2-025-029-1	61063	Heater Interception
30	YSF2-025-030	61064	Burner Bracket Gasket
31	YSF2-025-031	61065	Burner Head
32	YSF2-025-032	61067	Nozzle
33	YR20-15039	58691	Burner Head Blade
34	YR20-15084	58461	Nipple
35	YR20-15026	58694	Spark Plug
36	YSF2-025-036	61068	Burner Bracket

KEY No.	PART No.	STOCK No.	DESCRIPTION
37	YSF2-025-037	61070	Burner Head Gasket
38	YSF2-025-038	61071	Inner Diffusion
39	YSF2-025-039	61072	Control Base
40	YSF2-025-040	61073	Power lead
41	YTK8-002-053	33439	Cord Bush
42	YSF2-025-042	61074	Return Hose Joint Pipe
43	YR20-15229	61075	Photocell
44	YR20-15047	58839	Photocell Bracket
45	YSF2-025-045	61076	Blower Casing
46	YSF2-025-046	61077	Inlet
47	YSF2-025-047	61078	Blower Motor
48	YSF2-025-048	61079	Blower Fan
49	YR20-15027	61080	Thermostat
50	YSF2-025-050	61082	Thermostat Wire
51	YSF2-025-051	61083	Ignitor
52	YSF2-025-052	61084	Electronic Pump
53	YSF2-025-053	61088	Electronic Pump Pipe
54	YSF2-025-054	61089	Fuel Filter
55	YSF2-025-055	61126	Return Hose
56	YSF2-025-056	61169	Electronic Pump Base
57	YSF2-025-057	61176	Support
58	YSF2-025-058	61177	Main P.C.B
59	YSF2-025-059	61181	Sub P.C.B
60	YSF2-025-060	61186	P.C.B Wire
61	YR20-15090	61199	Tip Over Switch
62	YR20-15060	61200	Tip Over Switch Wire
63	YSF2-025-063	61201	Back Cover
64	YSF2-025-064	61203	Rating Plate
65	YSF2-025-065	61210	Power Switch
66	YSF2-025-066	61211	Power Switch Wire
67	YSF2-025-067	61212	Spark Plug Cover
68	YSF2-025-068	61214	Handle
69	YSF2-025-069	61219	Wheel Support Frame
70	YSF2-025-070	61231	Wheel Axle
71	YSF2-025-071	61233	Wheel
72	YSF2-025-072	61234	Washer
73	YSF2-025-073	61236	Pin
74	YSF2-025-074	82075	Pipe Washer
75	YSF2-025-075	82077	Pressure Sensor
76	YSF2-025-076	82082	Venturi
77	YSF2-025-077	82094	Pressure Sensor Hose

**Helpline: (023) 8049 4344. Sales Desk: (023) 8049 4333. General Enquiries: (023) 8026 6355.**

DRAPER TOOLS LTD, HURSLEY ROAD, CHANDLER'S FORD, EASTLEIGH, HANTS. SO53 1YF. U.K website: www.drapertools.com e-mail: sales@drapertools.com

PJJ260717

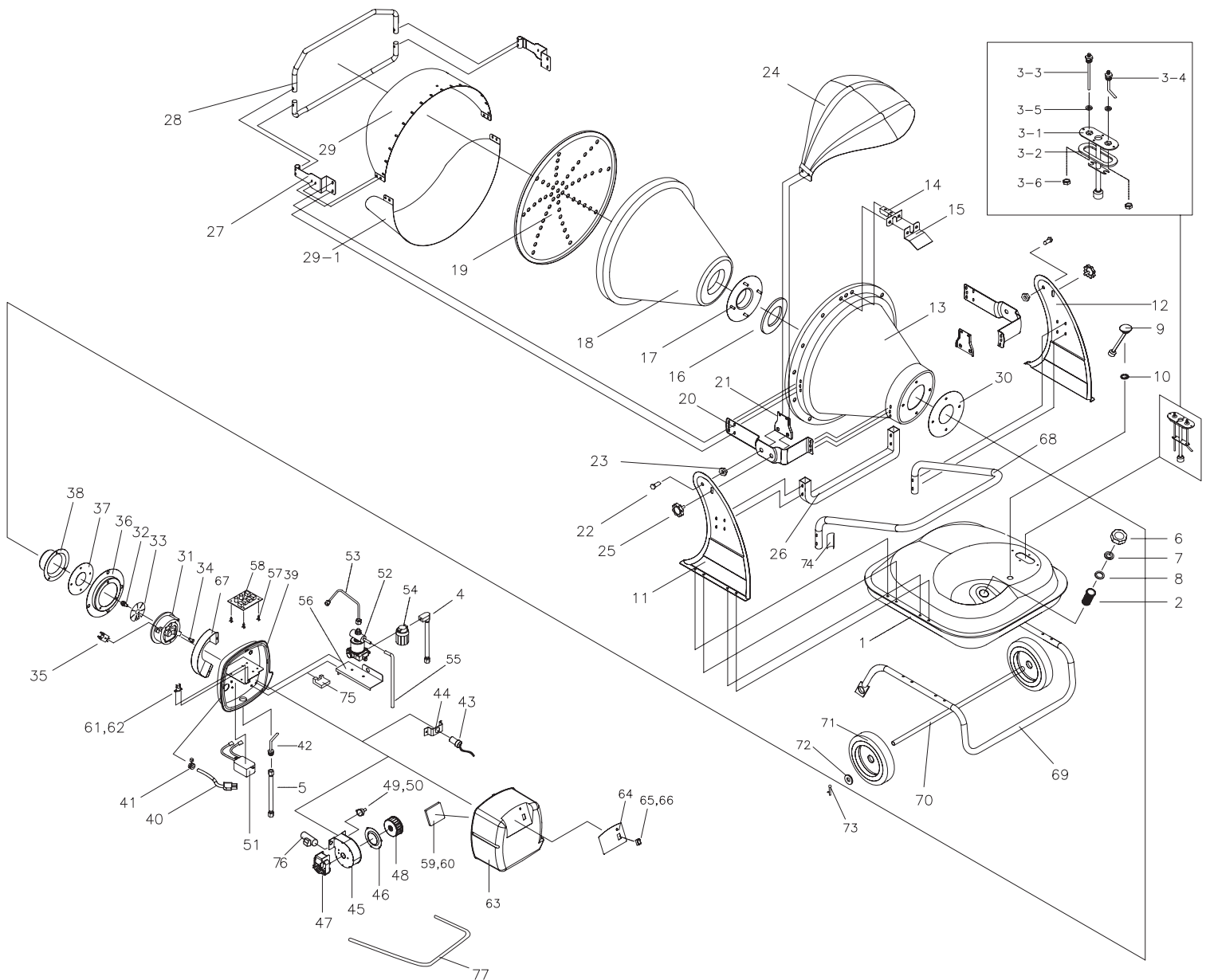


SPARE PARTS DRAWING SHEET FOR

# Infra-Red Diesel Space Heater

Stock No.54046

Part No.DSH-IR30



**Helpline: (023) 8049 4344. Sales Desk: (023) 8049 4333. General Enquiries: (023) 8026 6355.**

DRAPER TOOLS LTD, HURSLEY ROAD, CHANDLER'S FORD, EASTLEIGH, HANTS. SO53 1YF. U.K website: [www.drapertools.com](http://www.drapertools.com) e-mail: [sales@drapertools.com](mailto:sales@drapertools.com)