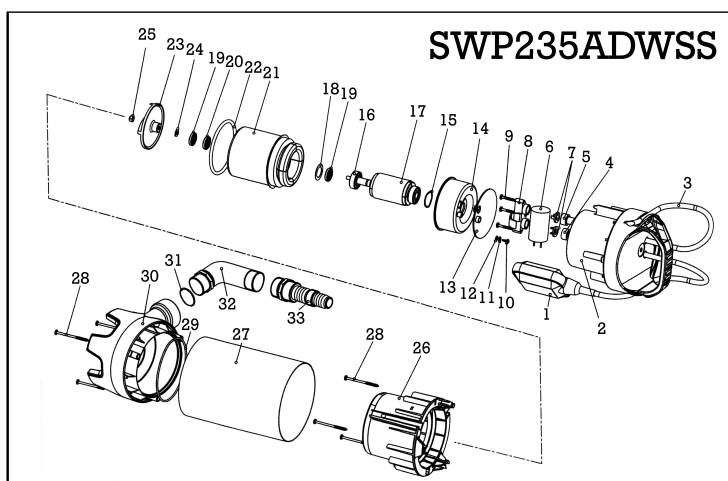
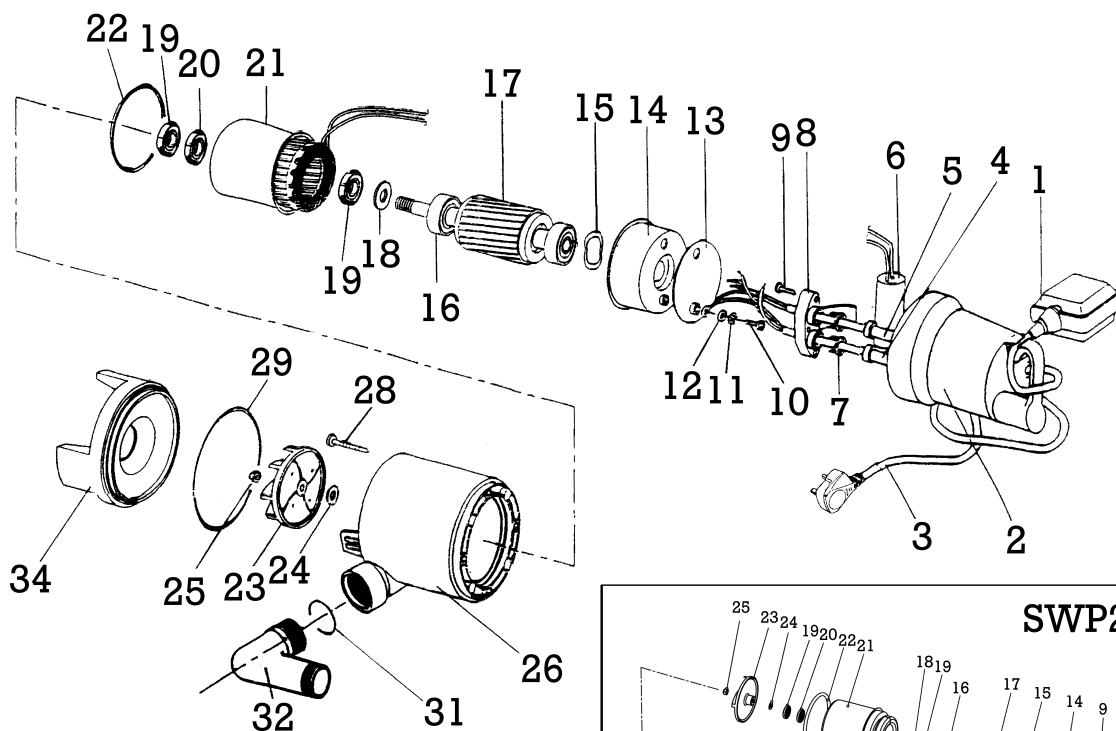


# SUBMERSIBLE WATER PUMPS

■ STOCK No.35467.  
52066.  
64274.

■ PART No.SWP235ADW.  
SWP235ADW/110.  
SWP235ADWSS.

## SPARE PARTS LISTING & ASSEMBLY DRAWING 03/2002



KEY No.	PART No.	STOCK No.	DESCRIPTION
1	YSWP-P1380007	36590	Float switch
1	YSWP-P1380033	65628	Float switch (SWP235ADWSS)
2	YSWP-S3600192	54855	Cap
2	YSWP-S3600280	65629	Cap (SWP235ADWSS)
3	YSWP-P1320016	65630	Power cable 230V
3	YSWP-P1330009	53217	Power cable 110V
4	YSWP-P1230003	36595	Grommet
5	YSWP-P1230003	36595	Grommet
6	YSWP-P1360030	66631	Capacitor 230V
6	YSWP-P1360007	53224	Capacitor 110V
7	YSWP-S3500336	54490	Anti-tear ring
8	YSWP-S3500335	54491	Cable clamp
9	YSWP-P1100008	36600	Screw
10	YSWP-P1100003	36603	Earth screw
11	YSWP-P1120003	36604	Spring washer
12	YSWP-P1120004	36606	Washer
13	YSWP-S3500106	36607	Insulation disk
14	YSWP-S3120005	36608	Upper flange
15	YSWP-P1120002	36609	Waved ring
16	YSWP-P1180001	36611	Ball bearing
17	YSWP-S3101002	54858	Rotor shaft assembly 230V
17	YSWP-S3101001	54846	Rotor shaft assembly 110V
18	YSWP-P1120007	36612	Washer

KEY No.	PART No.	STOCK No.	DESCRIPTION
19	YSWP-P1210001	36614	Seal
20	YSWP-P1210004	54494	Twin lip seal
21	YSWP-S3410017	54495	Field coil 230V
21	YSWP-S3410016	53225	Field coil 110V
22	YSWP-P1200007	36616	O ring
23	YSWP-S3500014	36641	Impeller
24	YSWP-P1120006	36617	Washer
25	YSWP-P1110005	36619	Nut
26	YSWP-S3500098	36634	Pump housing
26	YSWP-S3500093	53226	Pump housing (SWP235ADW/110)
26	YSWP-S3500681	66242	Pump housing (SWP235ADWSS)
27	YSWP-P1600027	66243	Stainless steel housing
28	YSWP-P1100012	36624	Screw
28	YSWP-P1100017	65633	Screw (SWP235ADWSS)
29	YSWP-P1200008	36636	O ring
29	YSWP-P1200095	65632	O ring (SWP235ADWSS)
30	YSWP-S3500685	66244	Pedestal (SWP235ADWSS)
31	YSWP-P1200009	36620	O ring
32	YSWP-S3600110	54496	Elbow 35 dia.
32	YSWP-S3600111	54498	Elbow 1 1/4" x 1 1/4" (SWP235ADWSS)
33	YSWP-S3600107	51381	Hose adaptor
34	YSWP-S3500018	36642	Pedestal (SWP235ADW)