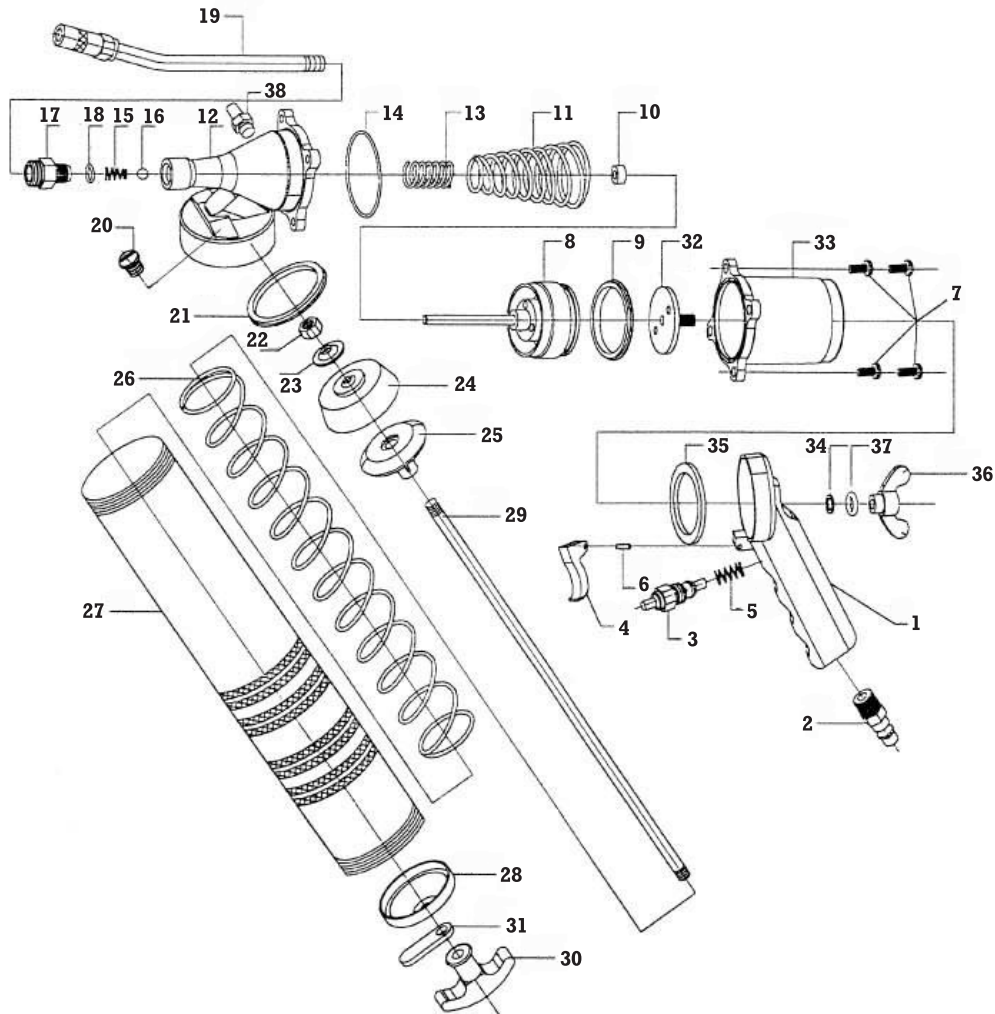


AIR GREASE GUN

■ STOCK No.71837.

■ PART No.4997.

SPARE PARTS LISTING & ASSEMBLY DRAWING 12/2003



KEY No.	PART No.	STOCK No.	DESCRIPTION
1	Y4997-01	74561	Hand grip
2	Y4997-02	74562	Air inlet
3	Y4997-03	74563	Valve
4	Y4997-04	74564	Trigger
5	Y4997-05	74565	Spring
6	Y4997-06	74566	Pin
7	Y4997-07	74567	Housing screw
8	Y4997-08	74568	Piston
9	Y4997-09	74569	Piston ring
10	Y4997-10	74570	Piston gasket
11	Y4997-11	74571	Conical spring
12	Y4997-12	74572	Front housing
13	Y4997-13	74573	Valve spring
14	Y4997-14	74574	Housing gasket
15	Y4997-15	74575	Ball spring
16	Y4997-16	74576	Ball
17	Y4997-17	74577	Adaptor
18	Y4997-18	74578	Adaptor ring
19	Y4997-19	74579	Rigid nozzle

KEY No.	PART No.	STOCK No.	DESCRIPTION
20	Y4997-20	74581	Round plug
21	Y4997-21	74582	Chamber gasket
22	Y4997-22	74583	Plunger nut
23	Y4997-23	74584	Plunger washer
24	Y4997-24	74585	Plunger
25	Y4997-25	74586	Gasket
26	Y4997-26	74587	Spring
27	Y4997-27	74588	Chamber
28	Y4997-28	74589	Cap
29	Y4997-29	74590	Plunger rod
30	Y4997-30	74591	Plunger handle
31	Y4997-31	74592	Release catch
32	Y4997-32	74593	Rotating plate
33	Y4997-33	74594	Housing
34	Y4997-34	74595	Washer
35	Y4997-35	74596	Gasket
36	Y4997-36	74597	Wing nut
37	Y4997-37	74598	Washer
38	Y4997-38	74599	Silencer