

**DRAPER**<sup>®</sup>

INSTRUCTIONS FOR  
**Ford and Volvo  
Trailing Arm Bush Tool**

**Stock No.73845 Part No.SSK14**

**IMPORTANT:** PLEASE READ THESE INSTRUCTIONS CAREFULLY TO ENSURE THE SAFE AND EFFECTIVE USE OF THIS PRODUCT.



CE

**DRAPER**<sup>®</sup>

**GENERAL INFORMATION**

These instructions accompanying the product are the original instructions. This document is part of the product, keep it for the life of the product passing it on to any subsequent holder of the product. Read all these instructions before assembling, operating or maintaining this product.

This manual has been compiled by Draper Tools describing the purpose for which the product has been designed, and contains all the necessary information to ensure its correct and safe use. By following all the general safety instructions contained in this manual, it will ensure both product and operator safety, together with longer life of the product itself.

All photographs and drawings in this manual are supplied by Draper Tools to help illustrate the operation of the product.

Whilst every effort has been made to ensure the accuracy of information contained in this manual, the Draper Tools policy of continuous improvement determines the right to make modifications without prior warning.

# 1. TITLE PAGE

---

## 1.1 INTRODUCTION:

USER MANUAL FOR:

## FORD AND VOLVO TRAILING ARM BUSH TOOL

Stock no.73845

Part no.SSK14

## 1.2 REVISIONS:

Date first published November 2014

---

---

---

As our user manuals are continually updated, users should make sure that they use the very latest version.

Downloads are available from: <http://www.drapertools.com/b2c/b2cmanuals.pgm>

DRAPER TOOLS LIMITED  
HURSLEY ROAD  
CHANDLER'S FORD  
EASTLEIGH  
HAMPSHIRE  
SO53 1YFUK

WEBSITE: [drapertools.com](http://drapertools.com)  
PRODUCT HELPLINE: +44 (0) 23 8049 4344  
GENERAL FAX: +44 (0) 23 8026 0784

## 1.3 UNDERSTANDING THIS MANUALS SAFETY CONTENT:

**WARNING!** Information that draws attention to the risk of injury or death.

**CAUTION!** Information that draws attention to the risk of damage to the product or surroundings.

## 1.4 COPYRIGHT © NOTICE:

Copyright © Draper Tools Limited.

Permission is granted to reproduce this publication for personal & educational use only. Commercial copying, redistribution, hiring or lending is prohibited.

No part of this publication may be stored in a retrieval system or transmitted in any other form or means without written permission from Draper Tools Limited.

In all cases this copyright notice must remain intact.

# 2. CONTENTS

---

## 2.1 CONTENTS

	<b>PAGE CONTENT</b>	<b>PAGE</b>
1	TITLE PAGE	
	1.1 INTRODUCTION .....	2
	1.2 REVISION HISTORY .....	2
	1.3 UNDERSTANDING THIS MANUAL .....	2
	1.4 COPYRIGHT NOTICE .....	2
2	CONTENTS	
	2.1 CONTENTS .....	3
3	GUARANTEE	
	3.1 GUARANTEE .....	4
4	INTRODUCTION	
	4.1 INTRODUCTION .....	5
	4.2 PRECAUTIONS.....	5
	4.3 SPECIFICATION .....	5
	4.4 HANDLING & STORAGE .....	5
5	TECHNICAL DESCRIPTION	
	5.1 IDENTIFICATION .....	6
6	INSTRUCTIONS	
	6.1 TYPE OF BUSH .....	7
	6.2 PREPARATION .....	7
	6.3 BUSH EXTRACTION .....	8
	6.4 FITTING THE NEW BUSH .....	10
7	MAINTENANCE .....	11
8	EXPLANATION OF SYMBOLS	
	8.1 EXPLANATION OF SYMBOLS .....	12
9	DISPOSAL	
	9.1 DISPOSAL .....	13
	DECLARATION OF CONFORMITY .....	ENCLOSED

## 3. GUARANTEE

---

### 3.1 GUARANTEE

Draper tools have been carefully tested and inspected before shipment and are guaranteed to be free from defective materials and workmanship.

Should the tool develop a fault, please return the complete tool to your nearest distributor or contact Draper Tools Limited, Chandler's Ford, Eastleigh, Hampshire, SO53 1YF. England. Telephone Sales Desk: (023) 8049 4333 or Product Helpline (023) 8049 4344.

A proof of purchase must be provided with the tool.

If upon inspection it is found that the fault occurring is due to defective materials or workmanship, repairs will be carried out free of charge. This guarantee period covering parts/labour is 12 months from the date of purchase except where tools are hired out when the guarantee period is ninety days from the date of purchase. This guarantee does not apply to normal wear and tear, nor does it cover any damage caused by misuse, careless or unsafe handling, alterations, accidents, or repairs attempted or made by any personnel other than the authorised Draper warranty repair agent.

Note: If the tool is found not to be within the terms of warranty, repairs and carriage charges will be quoted and made accordingly.

This guarantee applies in lieu of any other guarantee expressed or implied and variations of its terms are not authorised.

Your Draper guarantee is not effective unless you can produce upon request a dated receipt or invoice to verify your proof of purchase within the guarantee period.

Please note that this guarantee is an additional benefit and does not affect your statutory rights.

**Draper Tools Limited.**

# 4. INTRODUCTION

---

## 4.1 INTRODUCTION

- **WARNING:** Refer to vehicle manufacturer's specific instructions for this procedure. Failure to comply with manufacturer's specific instructions may cause damage to components or a potentially fatal accident.

Designed specifically to remove and fit the rear trailing arm front suspension bush with the arm on the vehicle and without needing to disconnect the brake lines, brake cables, etc. or even remove the road wheels

This tool does not even require the bush positioning bolts or mounting plates to be removed for either removal or fitting.

Using a specially developed force frame and double sided adaptor ring this bush tool provides an engineered solution that saves significant time and removes the need to use a workshop press.

## 1.2 PRECAUTIONS

- Make sure the vehicle is securely elevated and supported with axle stands.
- Wear suitable eye protection.
- Always grease the thrust nut assembly and centre screw before and after every job.
- On some vehicles a locking compound adhesive is applied to the bushes. To check if this is required, consult your vehicle instruction manual.
- If a locking compound adhesive is applied, the vehicle should not be used for 24 hours.
- **DO NOT USE AIR TOOLS WITH THIS PRODUCT.**
- **IMPORTANT:** Do not use air tools on this kit. Always wear goggles and gloves. Lubricate centre screw and thrust nut bearing before and after use.
- **NOTE:** Due to the forces involved with this tool, the centre screw and nuts must be considered as consumable components.

## 4.3 SPECIFICATION

Stock no. ....	73845
Part no. ....	SSK14
Application: Ford	Mondeo..... 2007>2013
	Galaxy..... 2006>2010
	S-Max..... 2006>2013
Volvo	S60 II..... 2010>2013
	V70 III..... 2007>2013

Fits both "old" short version and new "long" version "T-piece" trailing arm bushes.

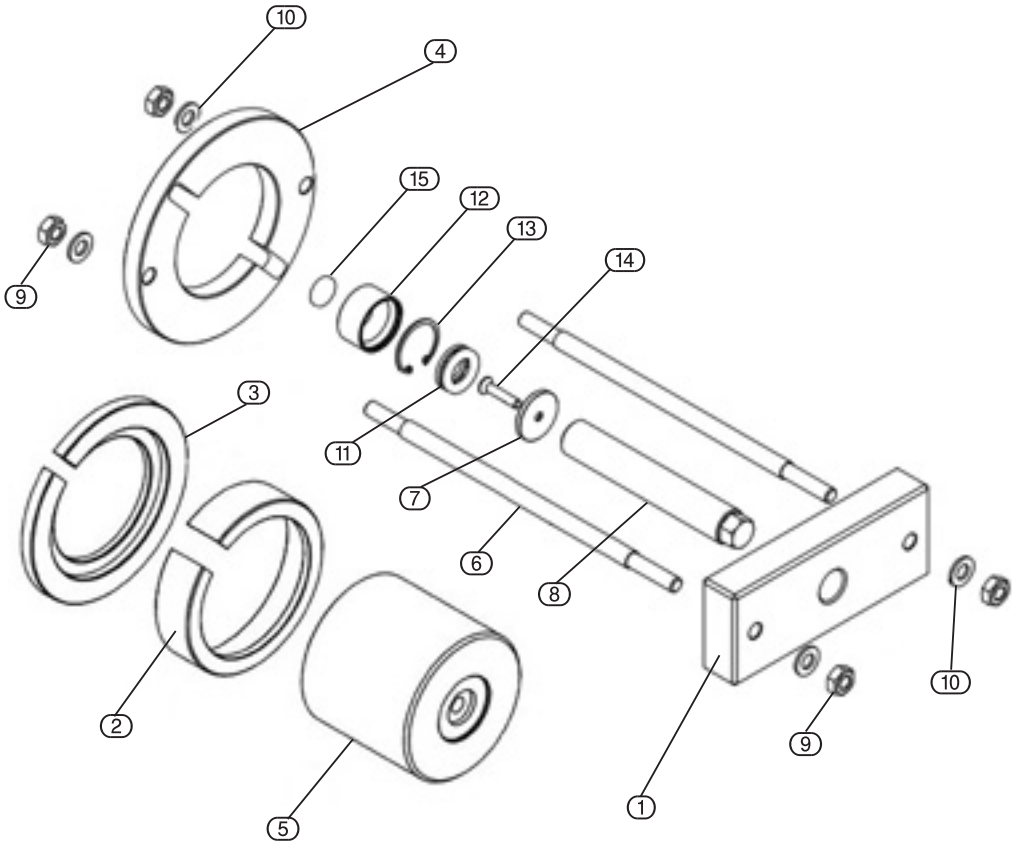
## 4.4 HANDLING & STORAGE

Take care when using this product.

- If any part is worn or damaged, do not use.
- Keep away from children.

## 5. TECHNICAL DESCRIPTION

### 5.1 IDENTIFICATION



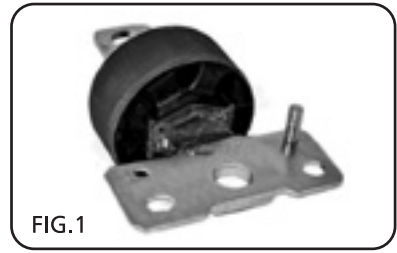
- ① Press frame top plate.
- ② Stepped split ring.
- ③ Split washer ring.
- ④ Press frame support ring.
- ⑤ Thrust cap.
- ⑥ Press frame support leg.
- ⑦ Centre screw end washer.
- ⑧ M24 thrust screw.

- ⑨ M10 nuts.
- ⑩ M10 washer.
- ⑪ Thrust bearing.
- ⑫ Bearing case.
- ⑬ Circlip.
- ⑭ Socket headed screw.
- ⑮ Magnetic disc.

## 6. INSTRUCTIONS

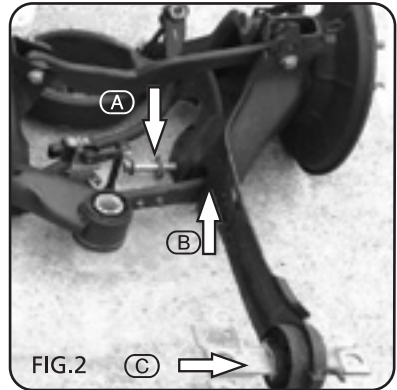
### 6.1 TYPE OF BUSH - FIG. 1

Near side and off side (left and right) rear lower trailing arm bushes.



### 6.2 PREPARATION - FIGS. 2 - 4

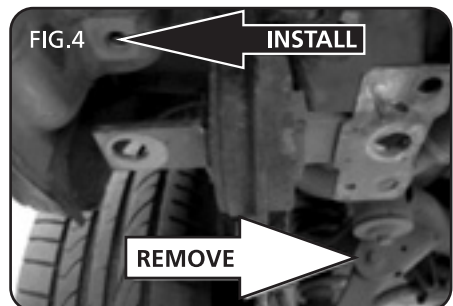
- With the vehicle on a wheel-free ramp support the relevant wheel with a suitable stand (transmission jack for example).
- Remove lower shock absorber mounting bolt (A).
- Remove outer track control fixings (B).
- Remove trailing arm mounting fixings (C).



- Remove the trailing arm bush mounting as shown in Fig 3.
- Unclip the brake pipes/cables from the arm.
- Lower the arm just enough to be able to fit the tool.



NOTE: Due to the shape of the bush it can only be removed and inserted in the directions indicated in Fig 4.



## 6. INSTRUCTIONS

### 6.3 BUSH EXTRACTION - FIGS 5 - 10

**NOTE:** The new bush must be positioned correctly in ALL directions therefore note and mark the orientation of the old bush.

- Ensure the suspension arm is free from heavy corrosion or dirt. Remove any hard rust and dirt that will not allow the tool to fit squarely on the arm.
- Ensure the centre screw and the thread in the top plate is clean and lubricated with molybdenum disulphide grease.
- Using the components shown in Fig.5, mount the trailing arm bush tool on the arm as shown and push out the old bush by turning the thrust screw in a clockwise direction as shown in Fig.6.
- **DO NOT** use a power, impact or air gun on this tool. Continue to increase load until the bush is pulled out and be aware to catch it.

**NOTE:** Always wear safety goggles, helmet and boots when working under a car. The force required to remove the bush is considerable.

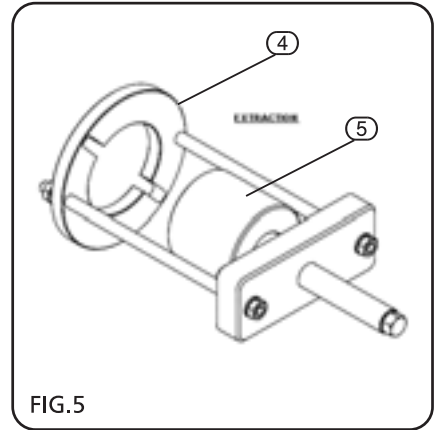


FIG.5

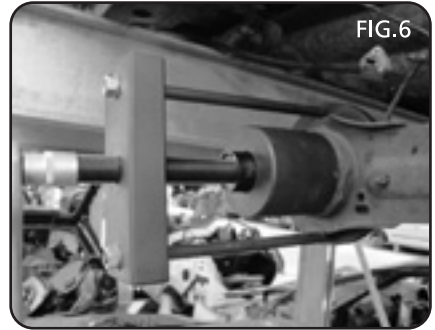


FIG.6



## 6. INSTRUCTIONS

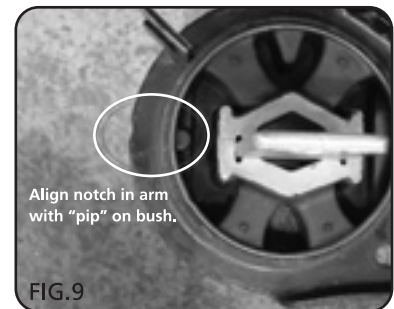
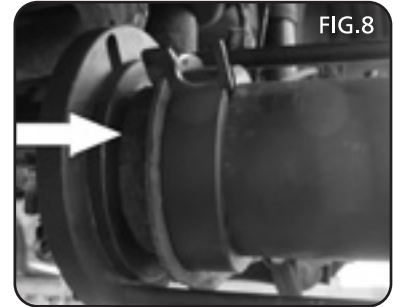
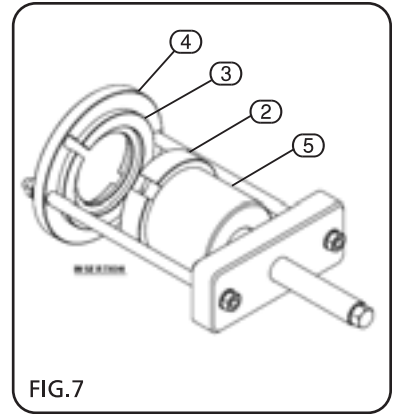
### 6.4 FITTING THE NEW BUSH - FIGS 7- 9

- Clean the suspension arm to accept the new bush, ensure the bush is correctly positioned and the correct bush is used.

NOTE: The bushes are handed side to side.

The new bush must be positioned correctly in ALL directions, for this reason ensure the new bush is positioned in the same position that the old bush came out. Use of the Stepped split ring ensures the new bush is inserted to the correct depth.

- For insertion, assemble the components shown in Fig.7 and ensure the centre screw is clean and well lubricated.
- Assemble the bush and its components on the arm as shown in Fig.8. Remember the bush must be pushed in by the press frame support ring and split washer ring in the direction shown.
- To align bush, see Fig.9.

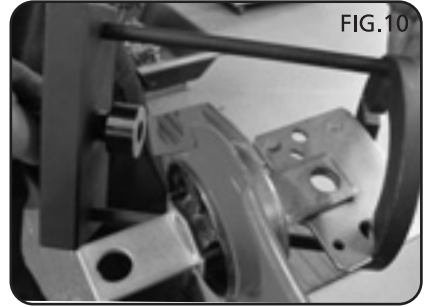


## 6. INSTRUCTIONS

---

### 6.4 FITTING THE NEW BUSH - FIGS. 10 - 13

- For method of mounting and demounting the press frame when working on the volvo left hand bush with double size mounting plate, see Figs 10-13.



## 7. MAINTENANCE

---

Due to the forces involved with this tool, the components **MUST** be lubricated before and after use.

## 8. EXPLANATION OF SYMBOLS

---

### 8.1 EXPLANATION OF SYMBOLS



WEEE

Do not dispose of Waste Electrical  
& Electronic Equipment in with  
domestic rubbish.

## 9. DISPOSAL

---

### 9.1 DISPOSAL

At the end of the machine's working life, or when it can no longer be repaired, ensure that it is disposed of according to national regulations.

Contact your local authority for details of collection schemes in your area.

In all circumstances:

- Do not dispose of power tools with domestic waste.
- Do not incinerate.
- Do not abandon in the environment.
- Do not dispose of WEEE\* as unsorted municipal waste.



\* Waste Electrical & Electronic Equipment.





- **DRAPER TOOLS LIMITED,**  
Hursley Road, Chandler's Ford,  
Eastleigh, Hampshire. SO53 1YF. U.K.
- **Helpline:** (023) 8049 4344
- **Sales Desk:** (023) 8049 4333
- **Website:** [drapertools.com](http://drapertools.com)
- **E-mail:** [sales@drapertools.com](mailto:sales@drapertools.com)
- **Sales Fax:** (023) 8049 4209
- **General Enquiries:** (023) 8026 6355
- **Service/Warranty Repair Agent**  
For aftersales servicing or warranty repairs, please contact the Draper Tools Helpline for details of an agent in your local area.

YOUR DRAPER STOCKIST