



SPARE PARTS DRAWING SHEET FOR

# Semi-Automatic Tyre Changer

Stock No.81645 Part No.TC100

KEY No.	PART No.	STOCK No.	DESCRIPTION
1	YTC100-1	15238	Cover
2	YTC100-2	15239	Hex cap
3	YTC100-3	15240	Lock plate
4	YTC100-4	15241	Lock plate
5	YTC100-5	15243	Lock handle
6	YTC100-6	15244	Hex rubber
7	YTC100-7	15245	Sleeve
8	YTC100-8	15246	Eccentric bearing
9	YTC100-9	15249	Head assembly
10	YTC100-10	15250	Valve body
11	YTC100-11	15252	Valve rod
12	YTC100-12	15253	Silencer
13	YTC100-13	15254	40A reversing switch
14	YTC100-14	15255	Switch
15	YTC100-15	15256	Pedal
16	YTC100-16	15257	Connecting rod
17	YTC100-17	15258	Round body
18	YTC100-18	15259	Valve assembly
19	YTC100-19	15282	Valve assembly
20	YTC100-39	15283	Valve core
21	YTC100-40	15284	Valve sleeve
22	YTC100-41	15285	"O" ring
23	YTC100-44	15288	Turbine box cover
24	YTC100-45	15290	Bearing
25	YTC100-46	15291	Bearing
26	YTC100-47	15293	Turbine box lower cover
27	YTC100-50	15327	V-belt
28	YTC100-51	15331	Cylinder unit

KEY No.	PART No.	STOCK No.	DESCRIPTION
33	YTC100-20	15261	Jaw body
34	YTC100-21	15262	Welding rod
35	YTC100-22	15264	Cylinder cover
36	YTC100-23	15265	Piston
37	YTC100-24	15266	Cylinder back cover
38	YTC100-25	15267	Jaw support
39	YTC100-26	15268	Jaw
40	YTC100-27	15270	65Øx3.5 "O" ring
41	YTC100-28	15271	Y-seal ring 35Øx20x8 "O" ring
42	YTC100-29	15272	20Øx2.65 "O" ring
43	YTC100-33	15277	Pull pin
44	YTC100-34	15278	Rubber
45	YTC100-35	15279	Rubber pad
46	YTC100-57	55779	Motor
47	YTC100-58	55782	Spring
48	YTC100-59	55784	Belt
49	YTC100-60	55808	Pulley
50	YTC100-61	55809	Pin assembly
51	YTC100-62	55810	Locking screw
52	YTC100-63	55862	Pulley
53	YTC100-64	55935	Bracket
54	YTC100-65	55940	Spindle
55	YTC100-66	55943	Key
56	YTC100-67	55945	Spindle
57	YTC100-68	55951	Turn table assembly
58	YTC100-69	55954	Spring
59	YTC100-70	55955	Beadbreaker
60	YTC100-71	68278	Jaw body slider

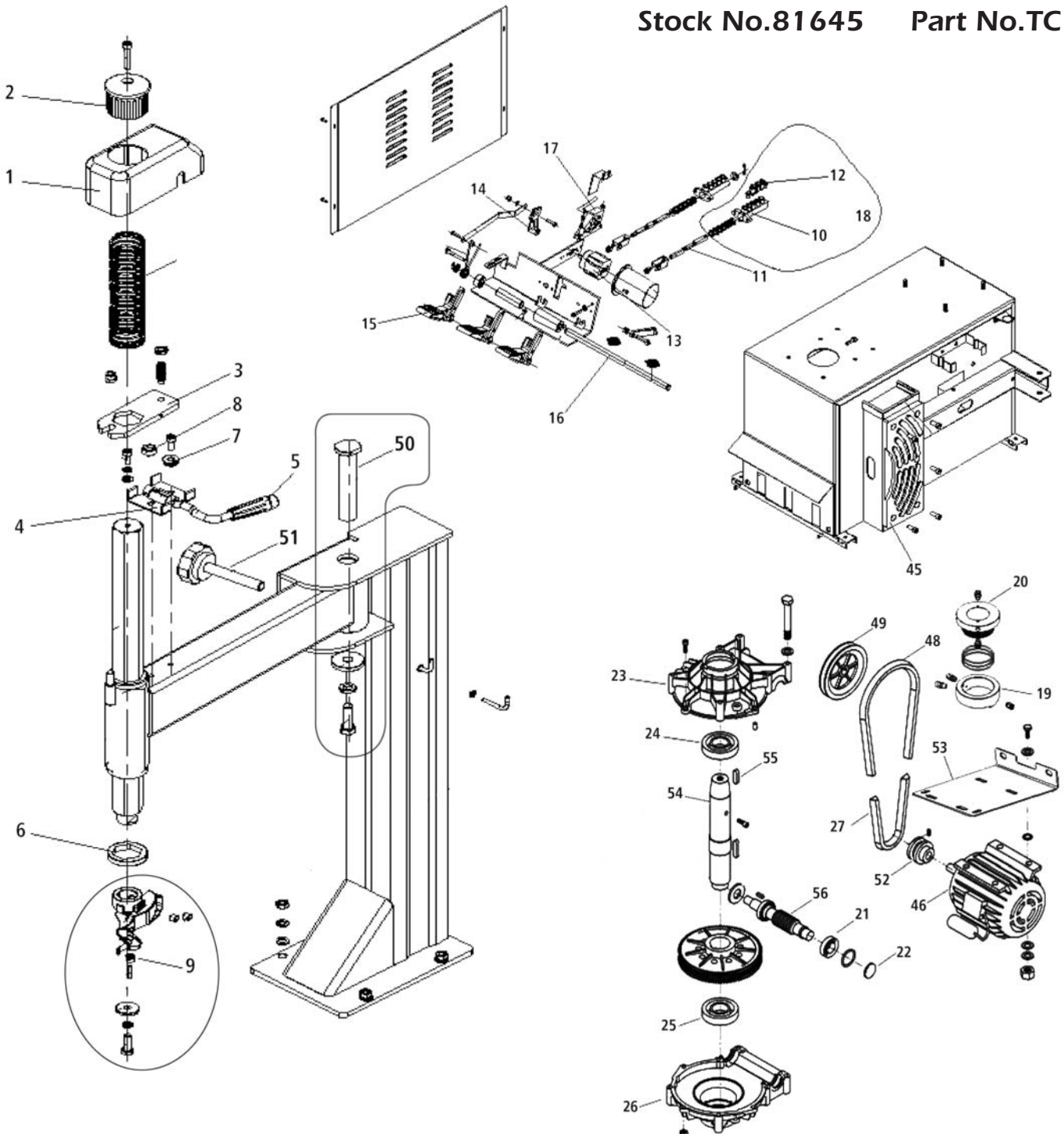
**Helpline: (023) 8049 4344. Sales Desk: (023) 8049 4333. General Enquiries: (023) 8026 6355.**

DRAPER TOOLS LTD, HURSLEY ROAD, CHANDLER'S FORD, EASTLEIGH, HANTS. SO53 1YF. U.K. Website: [www.drapertools.com](http://www.drapertools.com) e-mail: [sales@drapertools.com](mailto:sales@drapertools.com)

SPARE PARTS DRAWING SHEET FOR

# Semi-Automatic Tyre Changer

Stock No.81645 Part No.TC100



Helpline: (023) 8049 4344. Sales Desk: (023) 8049 4333. General Enquiries: (023) 8026 6355.

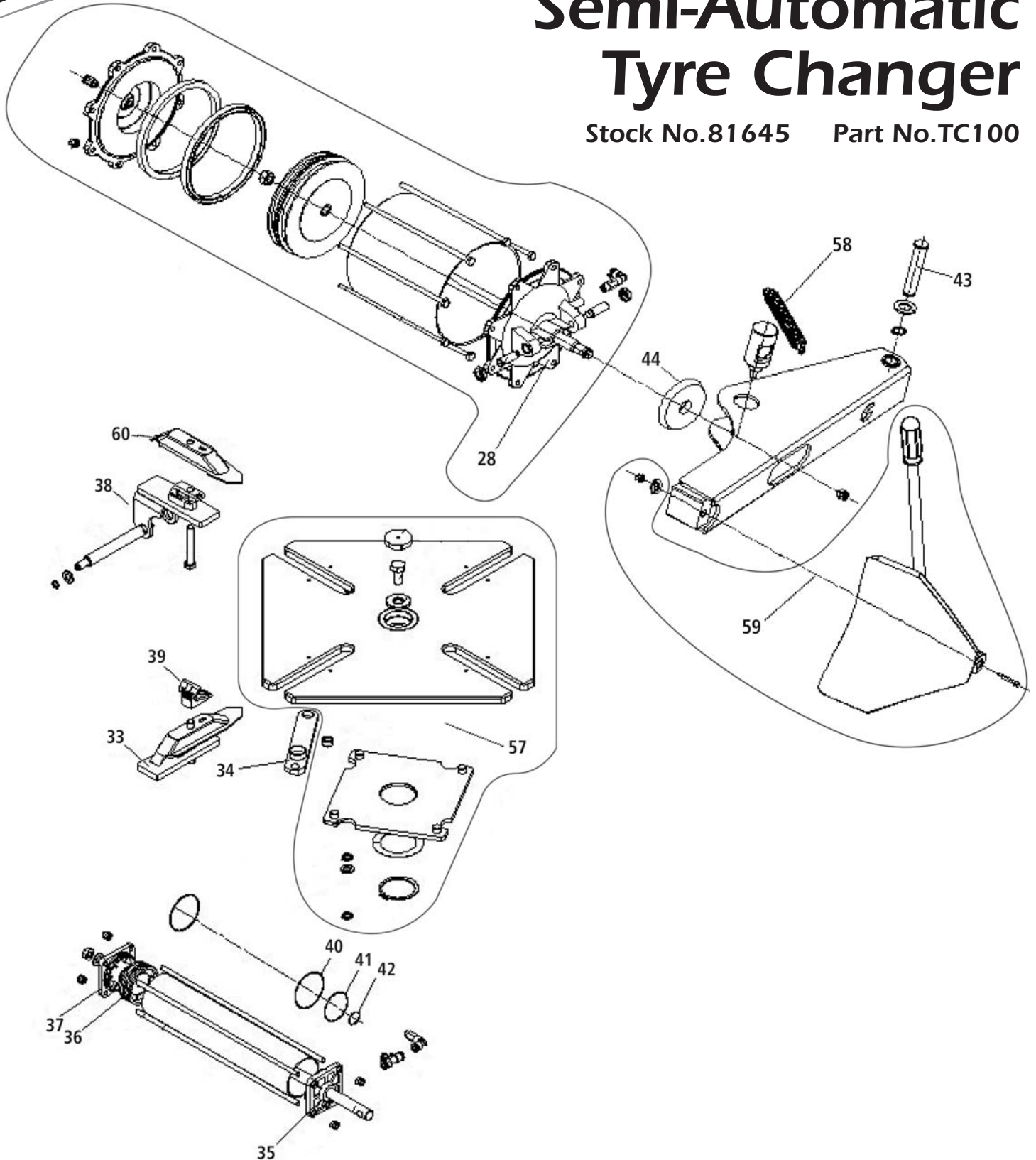
DRAPER TOOLS LTD, HURSLEY ROAD, CHANDLER'S FORD, EASTLEIGH, HANTS. SO53 1YF. U.K. Website: [www.drapertools.com](http://www.drapertools.com) e-mail: [sales@drapertools.com](mailto:sales@drapertools.com)



SPARE PARTS DRAWING SHEET FOR

# Semi-Automatic Tyre Changer

Stock No.81645 Part No.TC100



**Helpline:** (023) 8049 4344. **Sales Desk:** (023) 8049 4333. **General Enquiries:** (023) 8026 6355.

DRAPER TOOLS LTD, HURSLEY ROAD, CHANDLER'S FORD, EASTLEIGH, HANTS. SO53 1YF. U.K. Website: [www.drapertools.com](http://www.drapertools.com) e-mail: [sales@drapertools.com](mailto:sales@drapertools.com)