



SPARE PARTS DRAWING SHEET FOR

Semi-Automatic Wheel Balancer

Stock No.81646 Part No.WB100

KEY No.	PART No.	STOCK No.	DESCRIPTION
1	YWB100-1	15346	Handle
2	YWB100-10	15363	Power mounting plate
3	YWB100-11	15364	Motor
4	YWB100-12	15365	Capacitor
5	YWB100-13	15366	Switch
6	YWB100-14	15367	PCB
7	YWB100-15	15368	Photoelectric plate
8	YWB100-16	15370	Brake resistance
9	YWB100-17	15371	Control panel
10	YWB100-18	15373	Pull rod
11	YWB100-20	15375	Long pull ruler set
12	YWB100-22	15377	Flange cover clip
13	YWB100-23	15378	Cover

KEY No.	PART No.	STOCK No.	DESCRIPTION
14	YWB100-24	15379	Square cover
18	YWB100-4	15353	Plastic wing nut
19	YWB100-5	15354	Cone blocks
23	YWB100-23	55956	Belt
24	YWB100-30	55972	Frame
25	YWB100-31	56003	Frame mount
26	YWB100-32	56013	Cone mounts
27	YWB100-33	56014	Circuit board
28	YWB100-34	56016	Motor mount
29	YWB100-35	56024	Wheel mount assembly
30	YWB100-36	56051	Drive assembly
31	YWB100-37	56060	Spindle
32	YWB100-38	56061	Rim width calipers

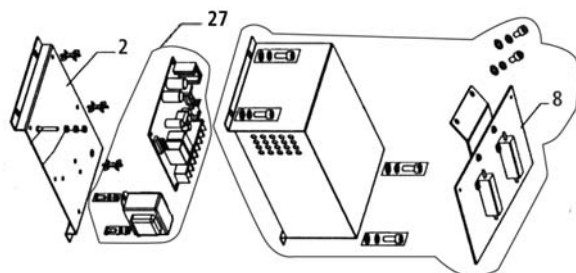
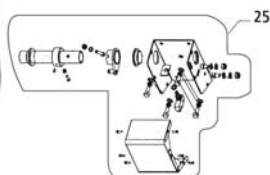
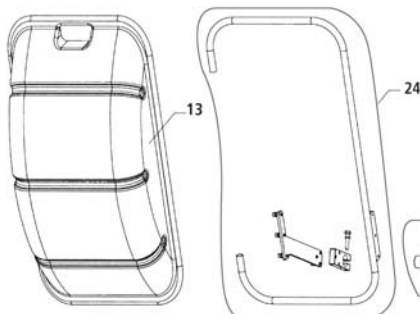
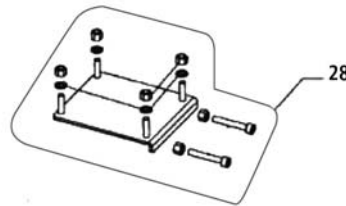
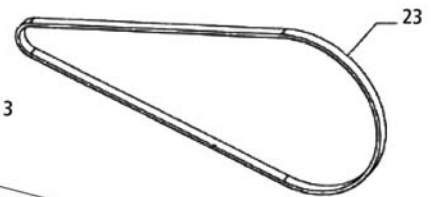
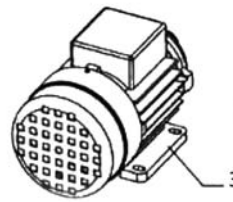
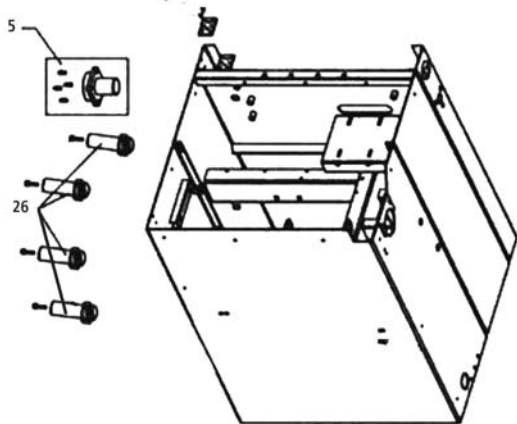
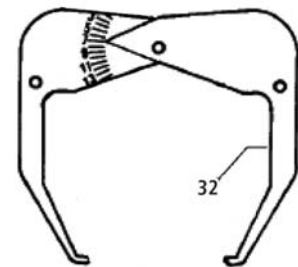
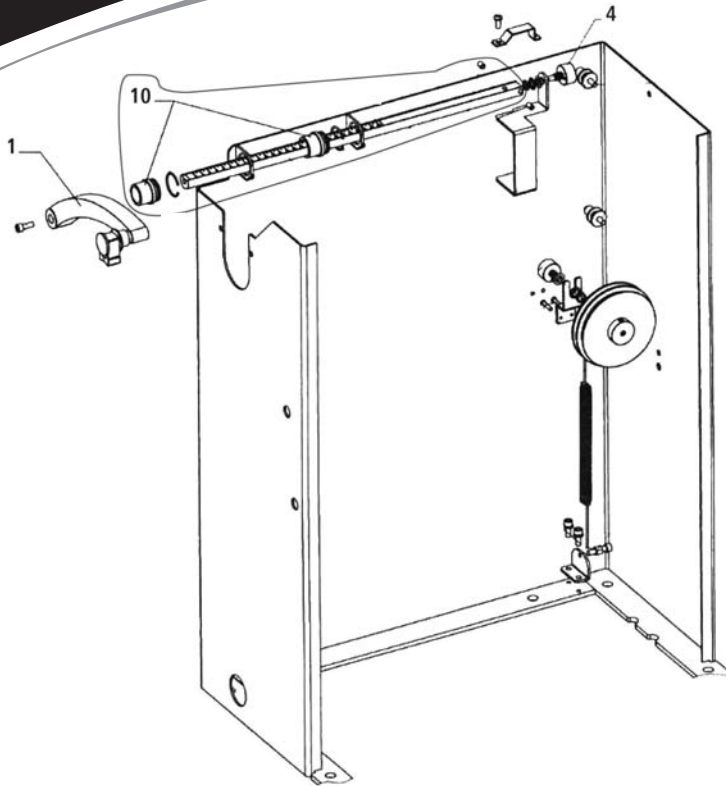
Helpline: (023) 8049 4344. Sales Desk: (023) 8049 4333. General Enquiries: (023) 8026 6355.

DRAPER TOOLS LTD, HURSLEY ROAD, CHANDLER'S FORD, EASTLEIGH, HANTS. SO53 1YF. U.K. Website: www.drapertools.com e-mail: sales@drapertools.com

SPARE PARTS DRAWING SHEET FOR

Semi-Automatic Wheel Balancer

Stock No.81646 Part No.WB100

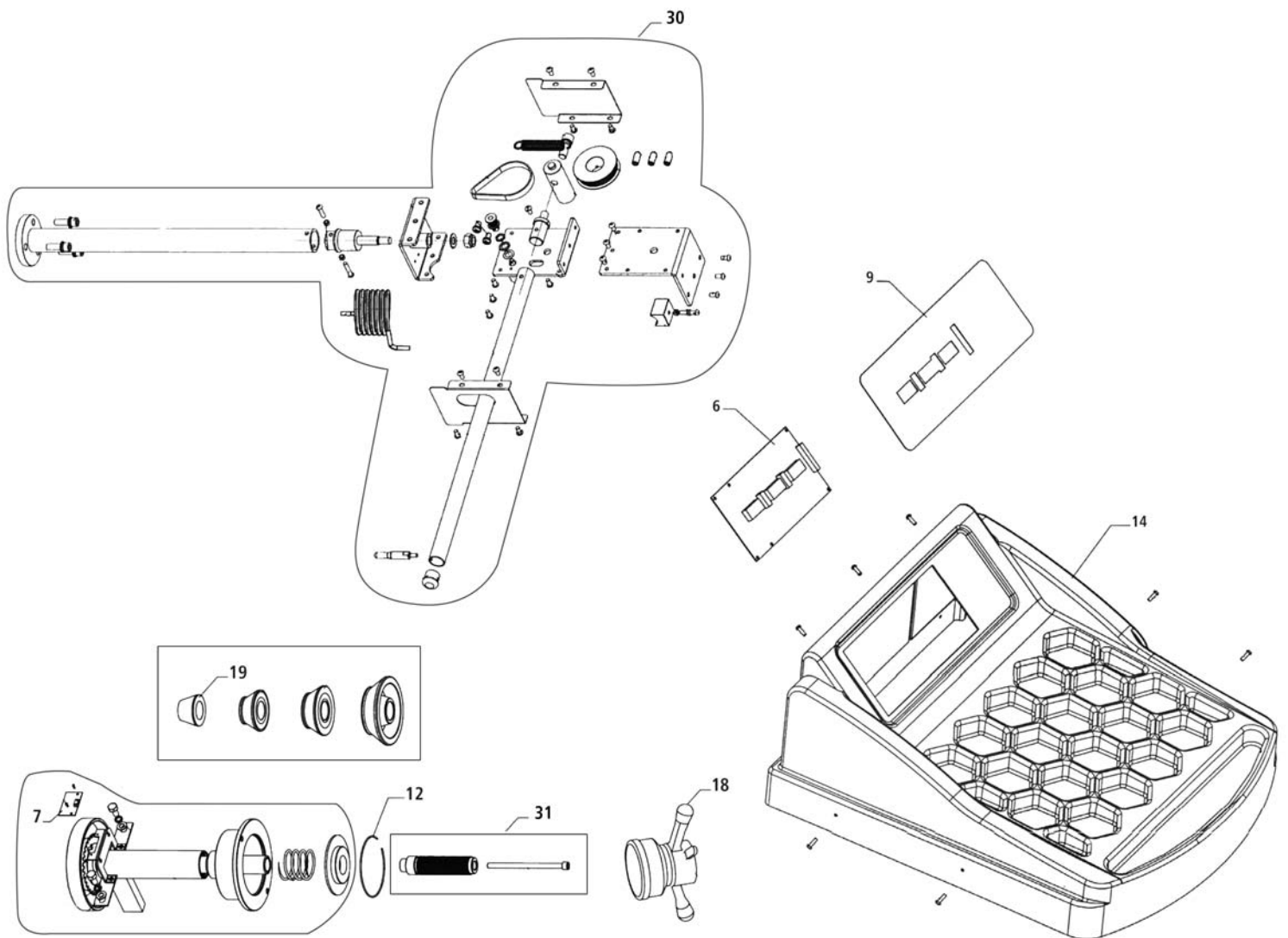




SPARE PARTS DRAWING SHEET FOR

Semi-Automatic Wheel Balancer

Stock No.81646 Part No.WB100



Helpline: (023) 8049 4344. **Sales Desk:** (023) 8049 4333. **General Enquiries:** (023) 8026 6355.

DRAPER TOOLS LTD, HURSLEY ROAD, CHANDLER'S FORD, EASTLEIGH, HANTS. SO53 1YF. U.K. Website: www.drapertools.com e-mail: sales@drapertools.com