

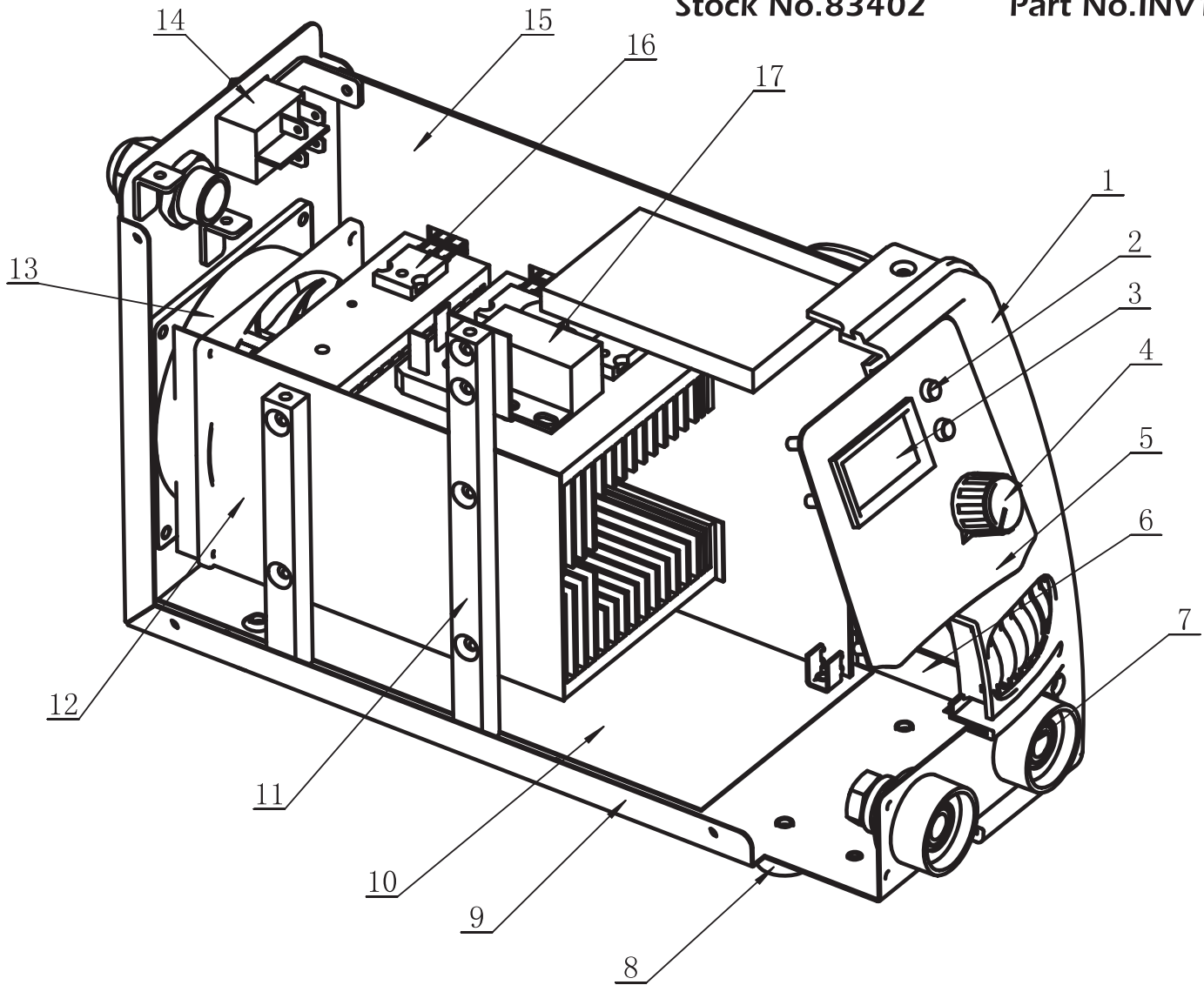


SPARE PARTS LISTING & DRAWING SHEET FOR

100A 230V MMA Inverter

Stock No.83402

Part No.INV106



KEY No.	PART No.	STOCK No.	DESCRIPTION
1	Y-INV106-01	84026	Front Board
2	Y-INV106-02	84027	Indicator Light
3	Y-INV106-03	84028	Current Meter
4	Y-INV106-04	84029	Potentiometer Knob
5	Y-INV106-05	84030	Panel
6	Y-INV106-06	84031	Output Copper Bar
7	Y-INV106-07	84032	Output Joint
8	Y-INV106-08	84033	Stander
9	Y-INV106-09	84034	Base Case

KEY No.	PART No.	STOCK No.	DESCRIPTION
10	Y-INV106-10	84035	Insulation Board
11	Y-INV106-11	84036	Stand Column
12	Y-INV106-12	84037	Wind Screen
13	Y-INV106-13	84038	Cooling Fan
14	Y-INV106-14	84039	Switch
15	Y-INV106-15	84040	Main Board
16	Y-INV106-16	84041	IGBT Tube
17	Y-INV106-17	84043	Display Board

Helpline: (023) 8049 4344. Sales Desk: (023) 8049 4333. General Enquiries: (023) 8026 6355.

DRAPER TOOLS LTD, HURSLEY ROAD, CHANDLER'S FORD, EASTLEIGH, HANTS. SO53 1YF. U.K website: .drapertools.com e-mail: sales@drapertools.co m