

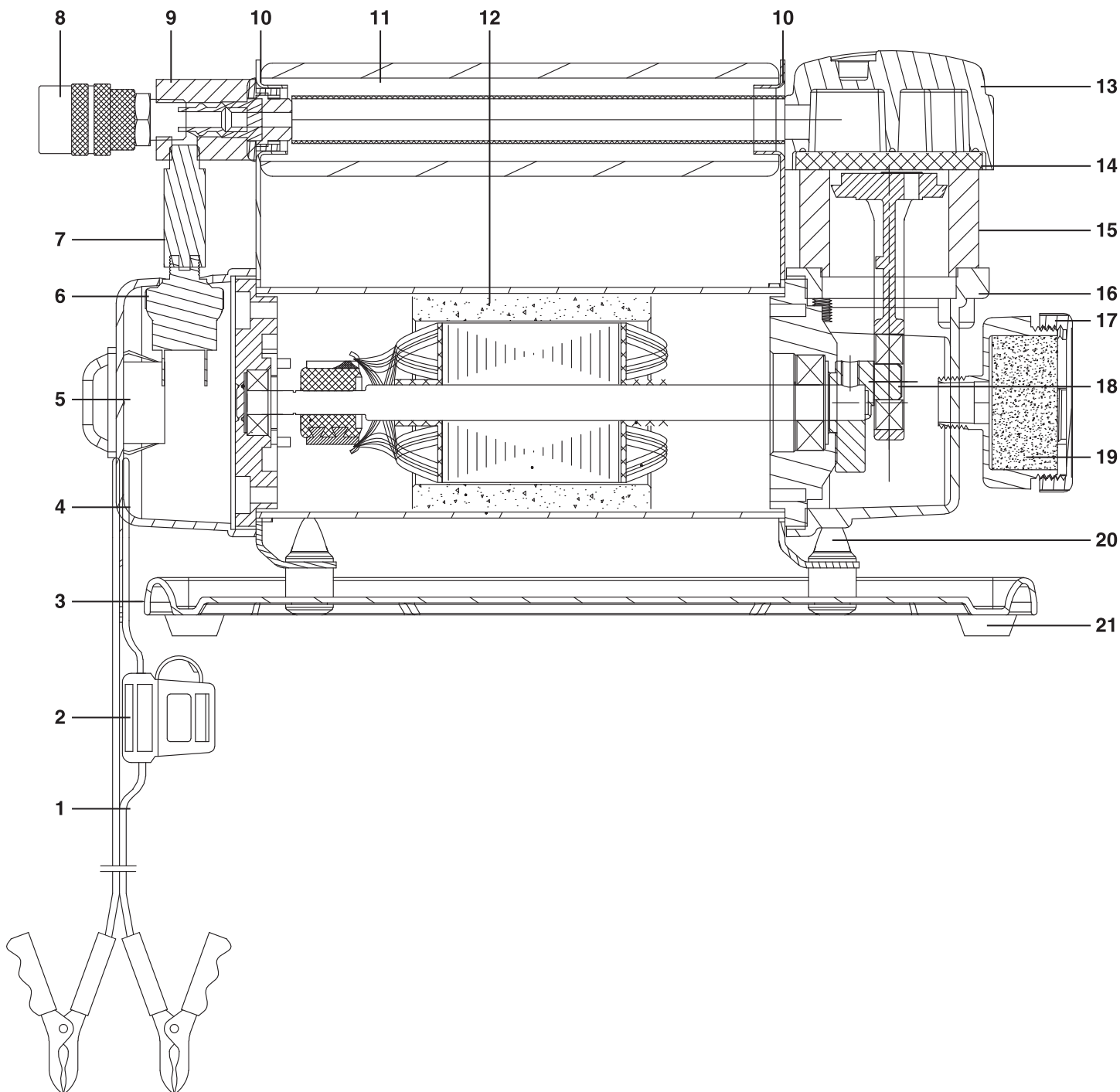
DRAPER[®]

DC

AIR COMPRESSOR



99074 - DA12/150/B SPARE PARTS DRAWING



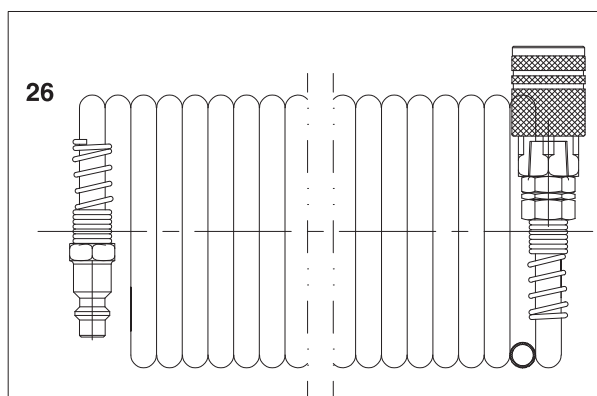
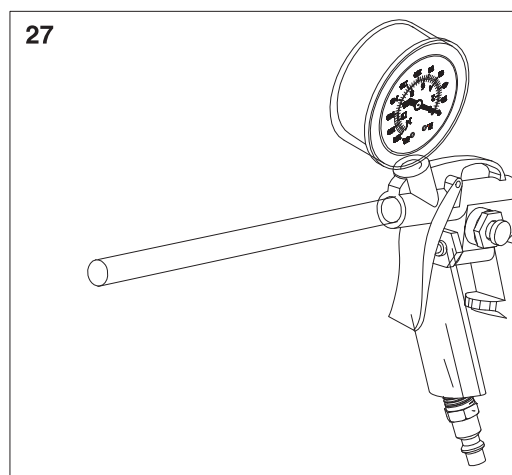
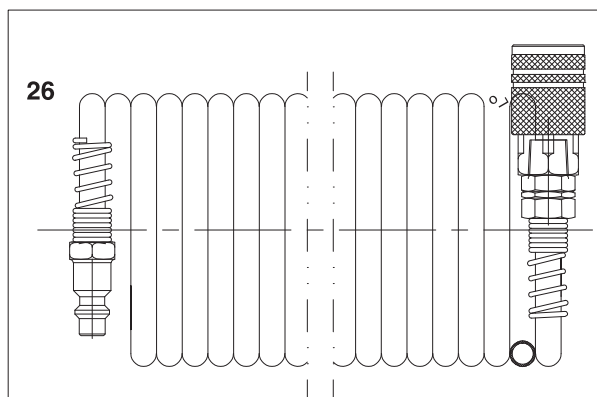
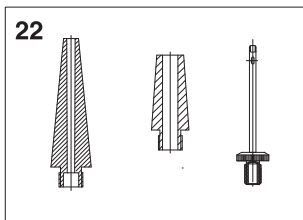


DC

AIR COMPRESSOR



99074 - DA12/150/B SPARE PARTS DRAWING



KEY No.	PART No.	STOCK No.	DESCRIPTION
1	DA12/150/B-01	99074	Power Cord and Clamps
2	DA12/150/B-02	99274	Fuse
3	DA12/150/B-03	99275	Base Tray
4	DA12/150/B-04	99276	End Cap
5	DA12/150/B-05	99277	Switch
6	DA12/150/B-06	99278	Pressure Switch
7	DA12/150/B-07	99279	Swivel Fitting
8	DA12/150/B-08	99280	Coupling
9	DA12/150/B-09	99281	Connector
10	DA12/150/B-10	99282	Handle Holder
11	DA12/150/B-11	99283	Handle
12	DA12/150/B-12	99284	Motor
13	DA12/150/B-13	99285	Cylinder Head

KEY No.	PART No.	STOCK No.	DESCRIPTION
14	DA12/150/B-14	99286	Saddle Valve Plate
15	DA12/150/B-15	99287	Cylinder
16	DA12/150/B-16	99288	Crank Case
17	DA12/150/B-25	99428	Air Intake Filter Assembly (Body and Cap)
18	DA12/150/B-17	99289	Piston Assembly
19	DA12/150/B-18	99290	Intake Filter
20	DA12/150/B-19	99291	Rubber Feet
21	DA12/150/B-26	99429	Rubber Feet for the base (x4)
22	DA12/150/B-20	99292	Nozzle Accessory Kit
26	DA12/150/B-24	99293	Hose
27	DA12/150/B-27	99430	Inflator Gun

Helpline: +44 (0) 23 8049 4344 Sales Desk: +44 (0) 23 8049 4333 General Enquiries: +44 (0) 23 8026 6355 internet: drapertools.com email: sales@drapertools.com

Draper Tools Limited, Hursley Road, Chandler's Ford, Eastleigh, Hampshire. SO53 1YF UK.

RWTL1219